



BALANCED FLUE

GAS FIREPLACES AND INSERTS
2017 COLLECTION



HEAT & GLO™

No one builds a better fire

BALANCED FLUE GAS FIREPLACES

Heat & Glo is driven by 'innovation', and is constantly aiming to maintain the credo that 'No one builds a better fire'. The brand was founded in 1975, in a small Minnesota garage. In 1987, Heat & Glo redefined the fireplace industry by introducing 'Balanced Flue' technology - forever changing the way fireplaces function. It's flagship model was the DV88 which has evolved over the years to become known as the multi award-winning 6000TRSI.

Much has changed since those early developmental years... yet the formula remains the same. One part innovation, one part application, with an eye toward design and innovative technologies... always striving to be the market leader!



Product Range 2017

350	Balanced Flue Gas Fireplace
550	Balanced Flue Gas Fireplace
6000	Balanced Flue Gas Fireplace
XLR-PLUS	Landscape Design Balanced Flue Gas Fireplace
SEE-THRU	Double Sided Balanced Flue Gas Fireplace
VRTIKL	Parabolic Design Freestanding Balanced Flue Gas Fireplace
MEZZO	European Design Balanced Flue Gas Fireplace (single and double sided)
I-30 INSERT	'Supreme' and 'Cosmo' Balanced Flue Gas Insert - NEW Zero Clearance option now available



XLR-PLUS

Stunning modern design incorporating all the technological features that Heat & Glo has become famous for.

Warmth, ambience and chic contemporary detail. Featuring a linear design and a long ribbon flame to form a broad, hypnotic firescape. Media and trim options allow you to customise the experience to your requirements.

The key features include:

- Modern, slimline design with a stunning ribbon burner
- Media options include crystal glass matched with natural logs or pebbles, PLUS a range of Tonic surrounds to complement the look
- IntelliFire PLUS™ Ignition System reduces gas consumption and lowers operating costs
- Full function Remote Control makes controlling your fireplace easier than ever
- Balanced Flue technology exhausts all combustion byproducts whilst maintaining optimum indoor air quality
- TR technology allows the flexibility of venting either vertically or horizontally

Clean lines and elegant ambience never go out of style.



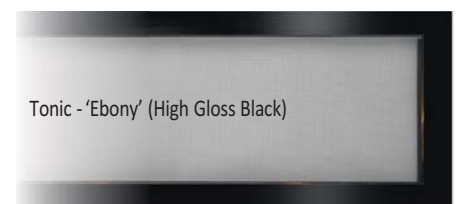
XLR-PLUS Trim Options:



Tonic - 'Graphite'



Tonic - 'Stainless Steel'



Tonic - 'Ebony' (High Gloss Black)

Internal Media Options:



CRYSTAL GLASS



EBONY GLASS



AMBER GLASS



COBALT GLASS



BLACK GLASS BEADS



WHITE GLASS BEADS



CERAMIC STONES



NATURAL LOGS

Modern design, redefined

MEZZO

The MEZZO defines clean, luxurious modern design. This range of balanced flue gas fireplaces combines design excellence with quality and innovation, for a sophisticated fireplace that adds convenience and intelligence to the heart of the home.

Available in four models –

- MEZZO 1000 single sided
- MEZZO 1300 single sided
- MEZZO 1300 See-Thru
- MEZZO 1600 single sided

The key features include:

- Distinctive modern design with minimalist Clean Face Surround
- Complete customisation: Media options include natural logs or pebbles with iced fog glass, or coloured crystal glass
- Clear LED accent lighting technology provides high-contrast, brilliant lighting to accentuate the flames
- Stunning High Gloss black glass interior
- Full function remote features Heat & Glo's 'IntelliFire PLUS' ignition system, providing an intuitive menu that wirelessly operates the fireplace for optimum efficiency and safety.



Clean Face Trim available 3 colours:

- BLACK (standard)
 - Brushed Nickel (optional extra)*
 - New Bronze (optional extra)*
- *SPECIAL ORDER

Internal Media: Available as optional extras



Heat Zone Register

Redirect the warmth with the heat distribution system, ending in this sleek and discreet vent register.

SEE-THRU

Integrate two living areas with impressive style, warmth and ambiance. Enjoy the power of a fireplace in impressive new ways. Choose from a selection of trims, and flexible flueing options to customise your heating solution.

SEE-THRU FEATURES:

- Strong heat output to 2 separate areas
- IntelliFire PLUS™ Ignition System reduces gas consumption and lowers operating costs
- Full function Remote Control to make controlling your fireplace easier - featuring an LCD screen, flame, fan and timer control
- Balanced Flue technology exhausts all combustion byproducts whilst maintaining optimum indoor air quality
- Vertical or horizontal termination options



I30 INSERT

No more drafty, dated fireplaces. No more messy cleaning - no more soot and smoke! The I-30 Insert delivers efficient warmth with either classic or modern looks. 2 models available - Supreme I-30 featuring classic log set and traditional looks, or the I-30 COSMO featuring a stunning ribbon of flame to take your fireplace transformation to the next level.

I-30 INSERT FEATURES:

- 2 Models - Supreme and Cosmo
- Impressive heat output
- IntelliFire PLUS™ Ignition System reduces gas consumption and lowers operating costs
- Full function Remote Control to make controlling your fireplace easier
- Balanced Flue technology invented by Heat & Glo



VRTIKL

Slender and sophisticated with a unique parabolic design. Freestanding unit offers a multitude of installation options.

VRTIKL FEATURES:

- Unique parabolic design with curved front glass
- Large viewing area
- Ceramic inner glass provides increased heat transfer
- Energy saving 74% efficiency
- IntelliFire PLUS™ Ignition System
- Multi function Remote Control makes controlling your fireplace easier than ever - adjust the flame height, view the current room temperature, from the comfort of your own chair
- Vertical or horizontal termination options



350

Compact, creative, versatile! It fits where other fireplaces don't. Features a small footprint, with either vertical or horizontal flueing options. Now available with the new 'clean line' front assembly, maximising the viewing area and enhancing the dramatic realism of the fire burning within the combustion chamber.

350 FEATURES:

- Strong heat output with bold flames and realistic log set
- IntelliFire PLUS™ Ignition System
- Full function Remote Control makes controlling your fireplace easier than ever
- Balanced Flue technology exhausts all combustion byproducts whilst maintaining optimum indoor air quality
- Vertical or horizontal flueing



550

Slim and versatile with a slender profile. Flexible flueing options offers an array of unique installation possibilities. Boasting generous heat output, enhanced flames and a detailed log set.

550 FEATURES:

- Strong heat output with bold flames and realistic log set
- IntelliFire PLUS™ Ignition System reduces gas consumption and lowers operating costs
- Full function Remote Control to make life easier
- Balanced Flue technology exhausts all combustion byproducts whilst maintaining optimum indoor air quality
- New 'clean line' front assembly, maximising the viewing area
- Vertical or horizontal flueing



6000

The original masterpiece, made better over time. It started as the flagship model in the late 1980's as the DV88, and then evolved into the award winning 6000. Once you experience the unit in action - the vivid flames, the impressive heat output, you'll see why!

6000 FEATURES:

- Strong heat output with bold flames and realistic log set
- IntelliFire PLUS™ Ignition System reduces gas consumption and lowers operating costs
- Full function Remote Control
- Balanced Flue technology originally invented by Heat & Glo
- New 'clean line' front assembly, maximising the viewing area
- Vertical or horizontal flueing



HEAT & GLO TECHNOLOGY

Heat & Glo gas fireplaces feature the following advanced technology...

BALANCED FLUE GAS TECHNOLOGY



Balanced flue gas fireplaces remove 100% of combustion exhaust and odours outside of the home. These sealed fireplaces, stoves and inserts provide optimal heat, conserve energy and ensure clean, safe indoor air.

ADVANCED IGNITION



Advanced intermittent pilot systems (IPI) within Heat & Glo fireplace products deliver energy conservation and fuel cost savings - even without power. IPI systems include built-in safety features, memory settings and can even function during power outages. All easily managed with wireless controls.

ZERO CLEARANCE INSTALLATION



Skillfully designed for maximum impact and increased efficiency, the Australian Collection zero clearance units are engineered to be installed without style constraints due to installation considerations. Seamless. Flush... and clean to suit your space.

CONVENIENT CONTROL OPTIONS



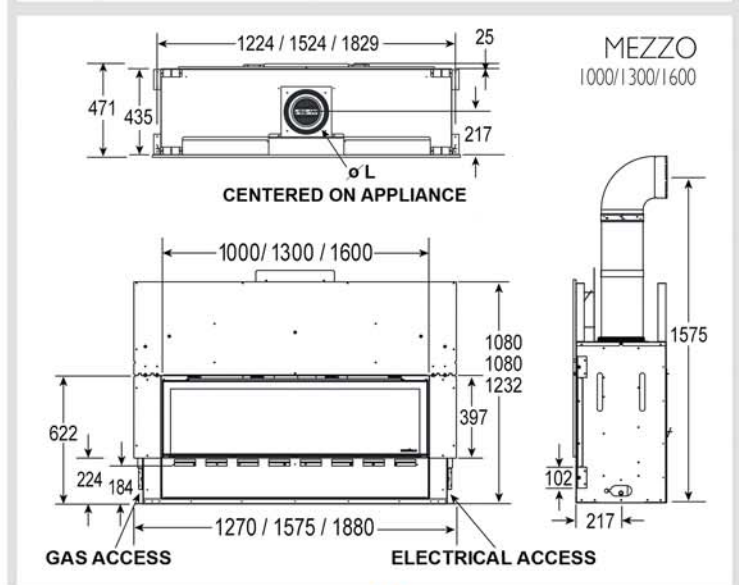
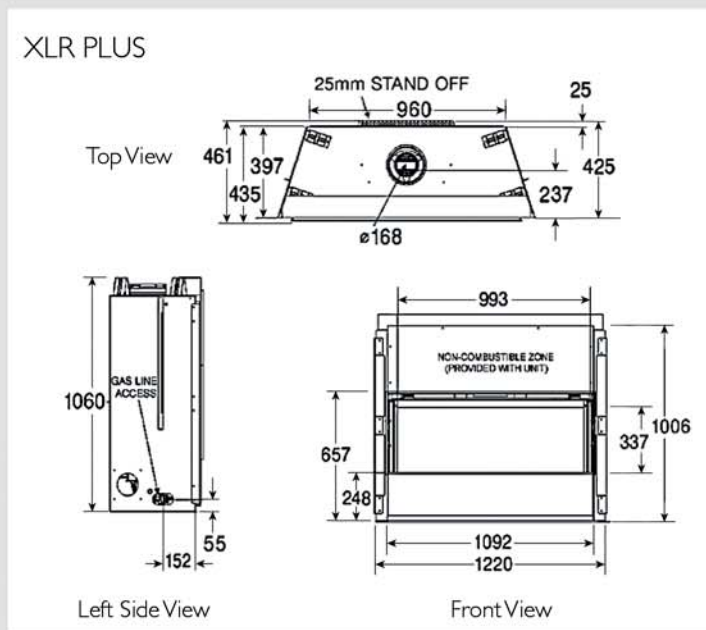
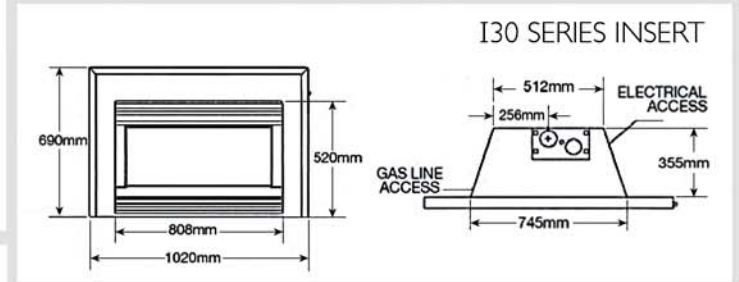
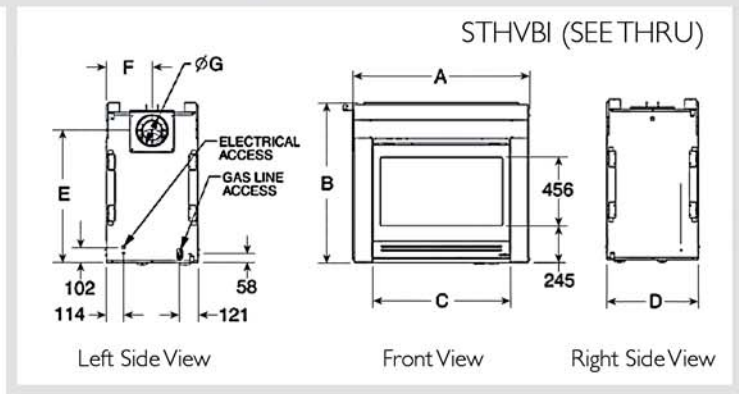
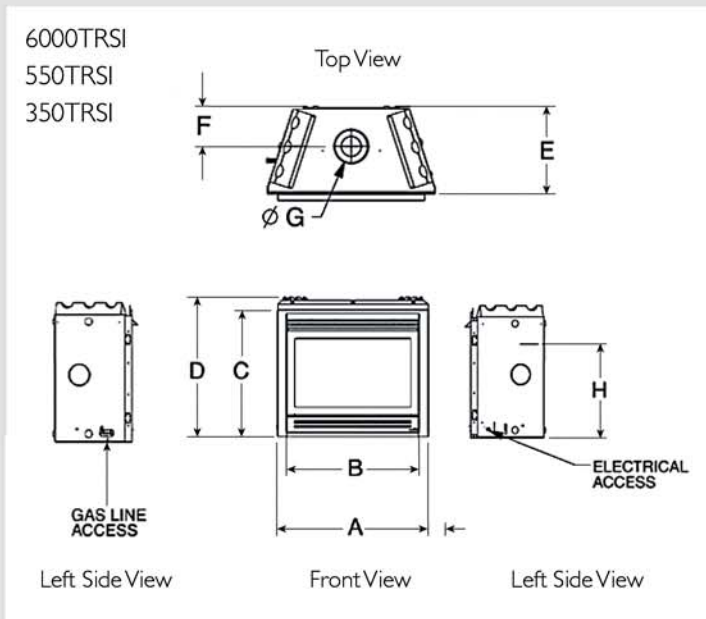
Take command of your comfort. The RC-300 remote provides a stylish and fully featured unit to make controlling your heat easier than ever. Incorporates an LCD screen, intuitive menus and large control buttons in a sleek and modern design.



Specifications - Heat & Glo ALL MODELS (AUST)

MODEL	A	B	C	D	E	F	G	H	VIEWING AREA	INPUT mJh	
6000TRSI	1041	918	850*	1019	546	250	203	683	800 x 475	Ng 36	Lpg 34
550TRSI	913	791	765*	873	415	192	168 top 203 rear	593	670 x 410	Ng 28	Lpg 26
350TRSI	838	714	710*	827	415	192	168 top 203 rear	541	610 x 385	Ng 21	Lpg 20
STHVBI	1184	1067	919	610	882	306	203	N/A	815 x 455	Ng 44	Lpg 43
XLR PLUS	See diagram for measurements								1100 x 310	Ng 26	Lpg 26
COSMO I30	See diagram for measurements								695 x 310	Ng 26.5	Lpg 25
SUPREME I30	See diagram for measurements								695 x 310	Ng 32	Lpg 31
MEZZO I000	See diagram for measurements								908 x 318	Ng 32.5	Lpg 30.6
MEZZO I300	See diagram for measurements								1207 x 318	Ng 43.6	Lpg 38
MEZZO I600	See diagram for measurements								1603 x 318	Ng 52.7	Lpg 43.3

*Indicates height to top of hood



PLEASE NOTE:

- Dimensions above are in millimetres and for reference only.
- Refer to Installation Manual and Framing Specifications prior to installing unit.
- Manufacturer reserves the right to update and modify unit specifications as required.
- Heat capacity for all units is indicative, and dependent on a number of factors:
 - (1) Room size
 - (2) Ceiling height
 - (3) Floor covering
 - (4) Window coverings - blinds/curtains/double glazing
 - (5) Other factors affecting heat loss.
- In spite of our best efforts, pictures in this brochure may not be true representations of surround finish, fireplace finish and/or flames.

HEAT & GLO
No one builds a better fire

MARCH 2017

Please contact us at:
JETMASTER HEAT & GLO
444 Swan Street, Richmond
Ph: 1300 219 875

EMAIL: info@jetmastervic.com.au WEB: www.jetmastervic.com.au