

---

# Gallery Electric Fireplaces

## Homeowner's Installation Instructions & Operating Manual



Model: EF67B

### FOR YOUR SAFETY

**SERVICE MUST BE PERFORMED BY A QUALIFIED SERVICE AGENCY.  
DO NOT STORE OR USE GASOLINE OR OTHER FLAMMABLE VAPORS  
AND LIQUIDS IN THE VICINITY OF THIS OR ANY OTHER APPLIANCE.  
PLEASE READ THIS MANUAL BEFORE INSTALLING AND USING APPLIANCE.**

**DO NOT DISCARD THIS MANUAL  
SAVE THESE INSTRUCTIONS FOR FUTURE REFERENCE.**



**CAUTION: BEFORE OPERATING THIS EQUIPMENT  
READ THESE INSTRUCTIONS CAREFULLY.**

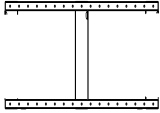
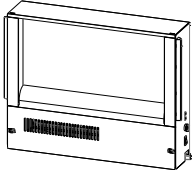
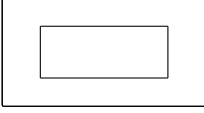
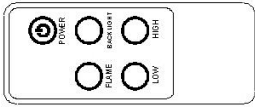







# IMPORTANT INSTRUCTIONS

When using electrical appliances, basic precautions should always be followed to reduce the risk of fire, electrical shock, and injury including the following:

1. Read all instructions before using this appliance.
2. This appliance is hot when in use. To avoid burns, do not let bare skin touch hot surfaces. Keep combustible materials, such as furniture, pillows, bedding, papers, clothes and curtains at least 0.9m from the front of this appliance.  
**WARNING: In order to avoid overheating, do not cover the heater. Do not install in small enclosed spaces.**
3. CAUTION: Whenever the heater is left operating and unattended, extreme caution is necessary if children are nearby.
4. The appliance is not to be used by children or others, unless they have been given supervision or instruction.
5. Children should be supervised to ensure that they do not play with the appliance.
6. If possible, always unplug this appliance when not in use.
7. Do not operate any heater with a damaged cord or plug, after an appliance malfunction, or if it has been dropped or damaged in any manner.
8. If the power cord is damaged, it must be replaced by the manufacturer, its service agent or similarly qualified persons in order to avoid a hazard.
9. Any repairs to this fireplace should be carried out by a qualified service person.
10. Under no circumstances should this fireplace be modified. Parts which have been removed for service must be replaced prior to operating this fireplace again.
11. Do not use outdoors.
12. This heater is not intended for use in bathrooms, laundry areas and similar indoor locations. Never locate this appliance where it may fall into a bathtub or other water container.
13. Do not run cord under carpeting. Do not cover cord with throw rugs, runners or the like. Arrange cord away from traffic areas and where it will not be tripped over.
14. To disconnect this appliance, turn controls to the off position, then remove plug from outlet.
15. Connect to properly grounded outlets only.
16. This appliance, when installed, must be electrically grounded in accordance with local codes or, in the absence of local codes, with the current AS/NZS 3000:2007.
17. There is a thermostat limiter inside the heater. When the inner temperature over-heats or abnormal heating occurs, the thermostat protective device will cut-off the power supply to avoid damage to the fireplace or risk of fire.
18. Do not insert or allow foreign objects to enter any ventilation or exhaust opening as this may cause an electric shock, fire, or damage the appliance.
19. To prevent a possible fire, do not block air intakes or exhaust in any manner. Do not use on soft surfaces, such as beds or carpeting where opening may become blocked.
20. This appliance has hot and arcing or sparking parts inside. Do not use it in areas where gasoline, paint or flammable liquids are used or stored. This fireplace should not be used as a drying rack for clothing. Christmas stockings or decorations should not be hung in the area of it.
21. Use this appliance only as described in the manual. Any other use not recommended by the manufacturer may cause fire, electric shock or injury.
22. Avoid the use of an extension cord because the extension cord may overheat and cause risk of fire. However, if you have to use an extension cord, the cord must be No.14 AWG minimum size and rated not less than 1875 Watts. The extension cord must be a three wire cord with grounding type plug and cord connection. The extension cord shall not be more than 6m in length.
23. See directions in Figure 1.  
This heater is to be used on a 220/240 V, 15 AMP, grounded circuit. Do not use in an outlet controlled by a switch or dimmer switch. Avoid plugging other appliances into the same circuit as heater.

# INSTALLATION INSTRUCTIONS

## PACKAGE CONTENTS

Part	Description	Qty	Picture
1	Wall Mounting Bracket	1	
2	Fire Box with Heater EF67B = GER-36 model	1	
3	Fireplace Front	1	
4	Remote Control	1	
5	Button Cell Battery	1	
6	Instruction Manual	1	
7	Plastic Wall Plug	4	
8	Screw ST5×40	4	
9	Bolt M4 X 8	2	
10	White Stones (set)	1	
11	Clear Resin Faux Stones (set)	1	

## TOOL REQUIRED

Magnetic Phillips Screw Driver  
Electric drill or hammer drill (for concrete walls)



## UNPACKING THE ELECTRIC FIREPLACE



**WARNING!** Do NOT use this Electric Fireplace if any part has been under water. Immediately call a qualified service technician to inspect and to replace any part of the electrical system if necessary. Keep plastic wrapping away from children.

- Open the packaging carefully and remove the foam.
- Remove and discard the plastic bag.
- Keep the original packaging for future transport and/or storage.
- Check that all listed parts have been included before discarding any packaging.

## LOCATING YOUR ELECTRIC FIREPLACE

Your new electric fireplace may be installed virtually anywhere in your home. However, when choosing a location ensure that the general instructions and warnings are followed. For best results, install out of direct sunlight. Power supply service should be configured before finishing to avoid extra construction.

**WARNING !** Keep drapery and other furnishings at least 3ft /0.9m from the front and sides of the electric fireplace.

### Clearance to Combustibles

Sides .....	200 mm
Floor .....	400 mm
Top .....	200 mm
Back .....	0 mm

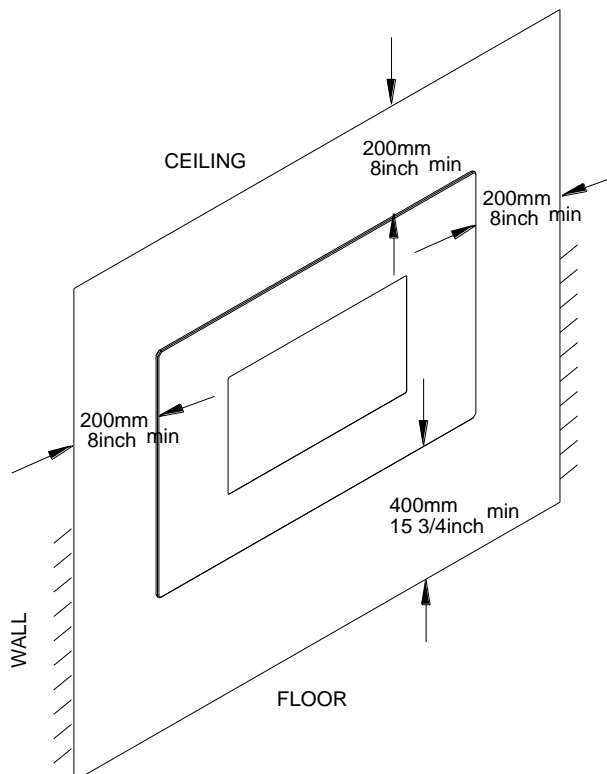


Fig. 2

## INSTALL YOUR FIREPLACE

### Wall mounting bracket and fire box installation:

- Open the box and take out the wall mounting bracket.
- Choose a solid and plain wall and put the bracket in the position where you want to install the fireplace. Mark the holes with a pen using the holes in the mounting bracket as a guide (Fig. 3)
- If locating the fireplace on existing wall studs or solid wood walls, Screws can be inserted at this time and you can proceed to step 6, otherwise continue the steps below for placing wall anchors.
- Take away the bracket and then, using an 8mm drill bit, drill holes in the wall. Put the plastic wall anchors into the holes. (Fig. 4)
- Insert ST5x40 screws to secure the bracket to wall (Fig. 5)
- Hang the fireplace on the hooks at top and push the fireplace into the bracket and then insert the short M5x10 screws into the bottom support tabs. (Fig. 6)
- Arrange the white & clear faux stones along the inset window ledge at the front of the firebox.
- Install the fireplace front as pictured. (Fig. 7) Secure the fireplace front with 2 M4x8 screws in the tabs on top of the fire box

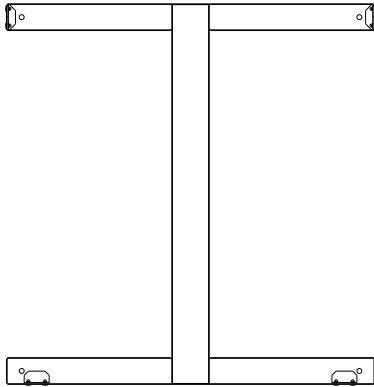


Fig. 3

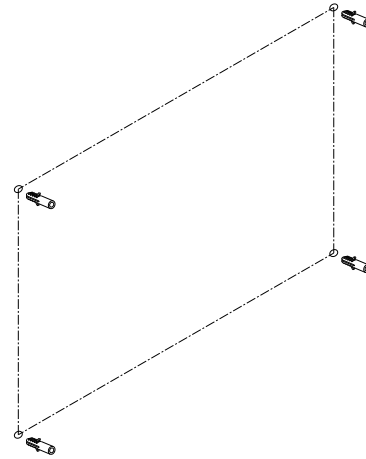


Fig. 4

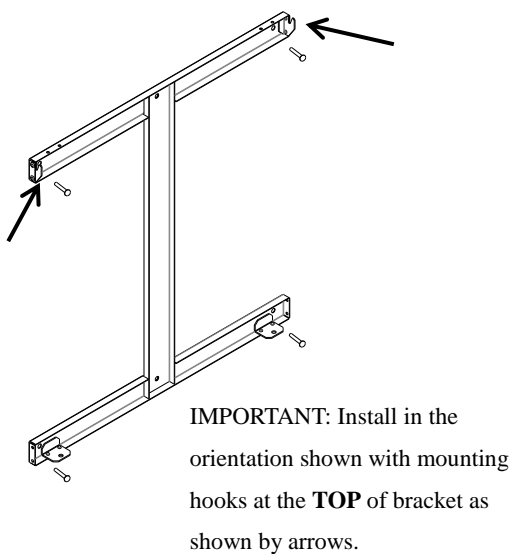


Fig. 5

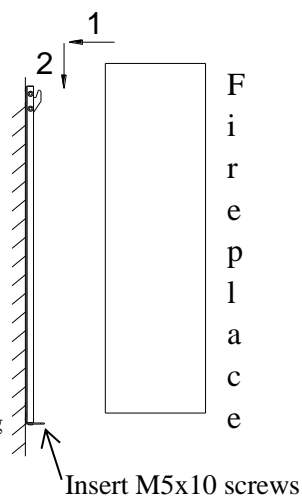


Fig. 6

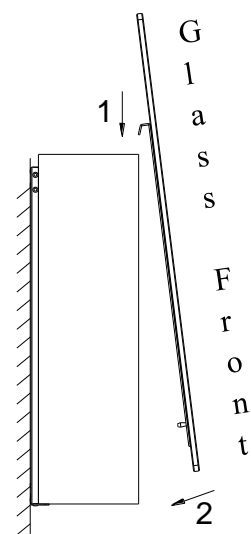


Fig. 7

---

## ELECTRICAL CONNECTION

A 15 AMP, 220/240 Volt, 50 Hz circuit with a properly grounded outlet is required. The unit comes standard with 1.8 m three wire cord, exiting from the rear of the fireplace. Plan the installation to avoid the use of an extension cord. Preferably, the fireplace will be on a dedicated circuit as other appliances on the same circuit may cause the circuit breaker to trip or the fuse to blow when the heater is in operation.

## CLEANING TRIM

Clean the glass trim using a soft cloth and household glass cleaner and buff with a clean soft cloth if streaking occurs.

## MAINTENANCE

**WARNING: ALWAYS UNPLUG THE CORD BEFORE MOVING OR SERVICING.**

**DO NOT IMMERSE HEATER IN WATER!**

- Always turn OFF the heater and disconnect the cord from the electrical outlet before cleaning your heater.
- Light accumulated dust may be removed from the heater with a soft cloth or vacuum cleaner.
- Wipe the exterior surfaces of the heater occasionally with a slightly damp cloth (not dripping wet) using a solution of mild detergent and water. Dry the case thoroughly before operating the heater.

**Caution:** Do not allow water to run into the interior of the heater as this could create a fire or electric shock hazard.

- The fan motor is factory lubricated for life and will not require further lubrication.

**Warning:** Any other servicing needed must be performed by an authorized service representative. Do not attempt to service the unit yourself.

# OPERATING INSTRUCTIONS: REMOTE CONTROL FUNCTIONS

This appliance can be operated by both remote control and manual buttons located on the side of the fire box. Once the unit has been properly connected to a grounded electrical outlet, turn on the main power switch located on the right-hand side of the appliance. A beep should be heard when the power is first switched on.

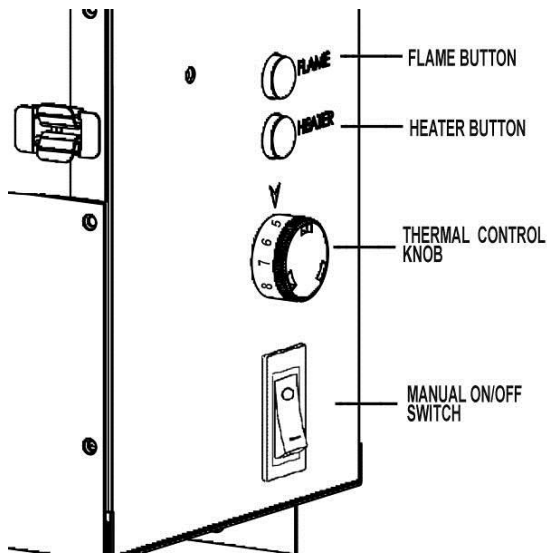


**CAUTION!** The unit's power cord must be connected to a properly grounded and protected 220/240V outlet. Always use ground fault protection where required by the electrical code.



**WARNING!** Do not operate the unit if it is damaged or has malfunctioned. If you suspect the unit is damaged, please call a qualified service technician to inspect and to replace any part of the electrical system if necessary.

**NOTE!** To use both remote and manual function the main power switch must be in "ON" position.



## ● Operating by Manual Button

### MANUAL ON/OFF SWITCH

This switch turns heater on/off, and permits/prohibits use of remote and panel push buttons.

### FLAME BUTTON

Press the FLAME BUTTON to turn on the flame effect, the flame button can be pressed repeatedly to cycle through the following color and intensity settings, HIGH FLAME INTENSITY, MEDIUM FLAME INTENSITY, LOW FLAME INTENSITY, MEDIUM FLAME INTENSITY + YELLOW BACKLIGHT, MEDIUM FLAME INTENSITY + BLUE BACK LIGHT and MEDIUM FLAME INTENSITY + MIXED BACK LIGHT.

### HEATER BUTTON

Press once turns 1000W power on. (Pilot lights illuminated ●○)

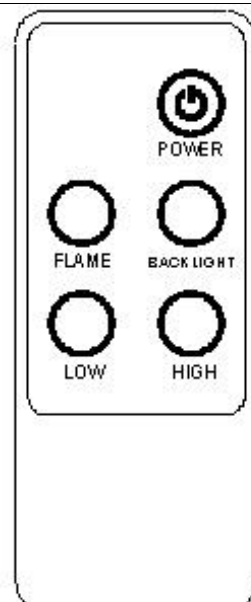
Press again turns 2000W power on (Pilot lights illuminated ●●)

## THERMOSTAT SETTING

The knob is marked with numbers to indicate the maximum and minimum temperature positions. Start with setting 9 and to decrease the temperature turn knob to left to a lower setting. To increase the temperature, turn knob to right to a higher setting.

## ● Operating by Remote Handset

- Make sure the battery is installed properly in the remote control.
- The effective range of the remote control is up to 4 meters.



## Multifunction Infrared Remote Handset

### POWER ON/OFF BUTTON

Press once turns appliance on. Press again to turn off.

### FLAME EFFECT BUTTON

The fire has three flame effects, by pressing the flame effect button the unit will cycle through each effect.

### BACK LIGHT BUTTON

The fire has three back light effects, by pressing the back light button the unit will cycle through each effect.

### LOW BUTTON

Press once turns 1000W heater on. (Pilot lights illuminated ●○)

Press again turns 1000W heater off.(Pilot lights illuminated ○○)

### HIGH BUTTON

Press once turns 2000W heater on. (Pilot lights illuminated ●●)

Press again turns 2000W heater off.(Pilot lights illuminated ○○)

**NOTE: This remote control uses 1 CR2032 Lithium Ion button cell battery (Included). Never dispose of batteries in fire. (Failure to observe this precaution may result in an explosion.)**

NOTE: This equipment has been tested and found to comply with the limits for Class B digital devices, pursuant to part 15 of the FCC Rules. These limits are designed to provide reasonable protection against harmful interference in a residential installation. This equipment generates, uses, and can radiate radio frequency energy and, if not installed and used in accordance with the instructions, may cause harmful interference to radio or television reception, which can be determined by turning the equipment off and on, the user is encouraged to try to correct the interference by one or more of the following measures:

- Reorient or relocate the receiving antenna.
- Increase the separation between the equipment and the receiver.
- Connect the equipment into an outlet on a circuit different from that to which the receiver is connected.
- Consult the dealer or an experienced radio/TV technician for help.

This device complies with Part 15 of the FCC Rules. Operation is subject to the following two conditions:

- (1) This device may not cause harmful interference, and
  - (2) this device must accept any interference received, including interference that may cause undesired operation.
- Modifications not approved by the party responsible for compliance could void user's authority to operate the equipment.

This Class B digital apparatus complies with Canadian ICES-003.



# WARRANTY

In the unlikely event of a problem occurring due to a manufacturing fault within 24 months from the date of purchase of the appliance it will be repaired or replaced free of charge.

This warranty does not cover consumable items such as the bulbs and fuses which have a limited lifespan.

If a problem should occur, the nature of the problem together with the date of a purchase should be immediately reported to the retailer that the appliance was purchased from. Proof of purchase will be required so the original receipt should be retained.

Warranty applies to the original owner only and is non-transferrable.

# TROUBLESHOOTING

Problem	Possible Causes	Solution
Fireplace not responding to remote commands	Switch on fireplace not in the ON position	Switch must be in the ON position for remote operation
	Remote control battery dead or not inserted properly	Insert or check battery for correct orientation
	Remote is not in range of fireplace or not aimed correctly	Move closer to fireplace and aim remote directly at it.
Fireplace trips circuit breaker or blows fuse when turned on	Improper circuit rating	Ensure unit is plugged into a dedicated 15 amp circuit
	Too many appliances plugged into the same circuit	Unplug other appliances on the same circuit
Heater is excessively noisy	Blower assembly is dirty	Unplug unit and clean blower
	Defective blower	Blower replacement or repair necessary
Odor coming from heater/blower	Normal operation	Heater is burning off dust accumulated during manufacture or non-use periods. This should only be noticeable for a brief period after turning on.
	Defective heater	Heater may require replacement or repair
Flame effect frozen or stuttering	Defective flame motor	Flame motor repair or replacement required.
Heater not outputting heat when turned on.	Thermal switch tripped	Turn off unit and unplug for 5 minutes. This is a safety feature to prevent overheating
	Heater is defective	Replacement or repair may be required
	Thermostat is cycled off	Set thermostat to higher setting



For more information, you can visit us online at

[Http://www.GreatCo.com](http://www.GreatCo.com)

Or Call Us At:

1-651-287-7460