



HEAT & GLO
Where everything comes together



VRTIKL

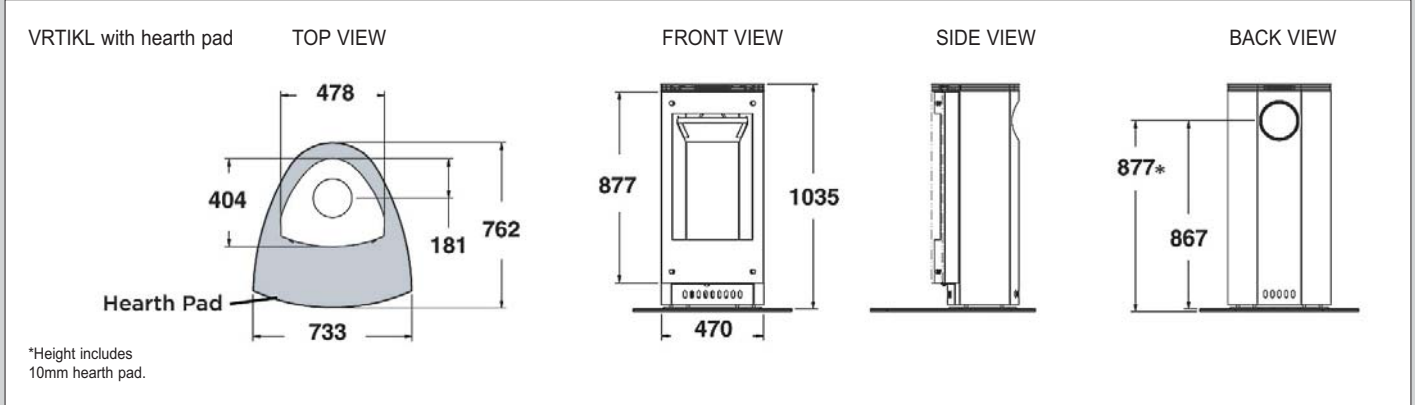
Freestanding Balanced Flue Gas Fireplace

The beauty of modern design merged with the intelligence of advanced engineering.



VRTIKL-AUB Specifications

MODEL	HEIGHT	FRONT WIDTH	BACK WIDTH	DEPTH	Viewing Area	mjh INPUT	kWh OUTPUT
VRTIKL-AUB	1035	478	478	404	470 x 877	NG 27 LPG 25	NG 5.5 - 3.3 LPG 5.1 - 3.3



Dimensions shown above are in millimetres and for reference only. Refer to installation manual for detailed specifications on installing this product. Heat & Glo reserves the right to update units periodically. The flame and ember appearance may vary based on the type of fuel burned and the venting configuration used. Actual product appearance, including flame and logs may differ from the actual product.

VRTIKL Features

- 'IntelliFire PLUS' ignition system provides fuel savings and easy operation
- Unique parabolic design
- Optional WiFi Control App operation
- Curved front glass available in bronze or grey tint
- Large vertical viewing area
- Ceramic inner glass provides increased heat transfer
- Optional fan
- Top or rear venting allows installation flexibility
- Multi-function remote control
- Energy saving 74% efficiency
- Optional bronze or grey tinted glass hearth pad
- AGA #7153



IntelliFire Plus™ Ignition System

The IntelliFire Plus™ Ignition System is an 'intelligent' control system providing energy conservation and the comfort of a roaring fire, all at your fingertips!

IntelliFire Plus™ eliminates the need for a continuously burning pilot light, reducing gas consumption and lowering operating and installation costs.



NOW AVAILABLE WITH iGLOO WiFi TECHNOLOGY

Now you can control your Heat & Glo balanced flue gas fireplace from almost anywhere with the innovative iGloo App from the APP and WINDOWS Store.



CUTTING EDGE TECHNOLOGY & CONTROL!



← SCAN THIS QR CODE TO LEARN MORE

Convenient Operation

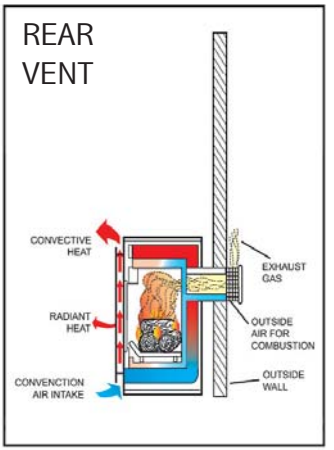
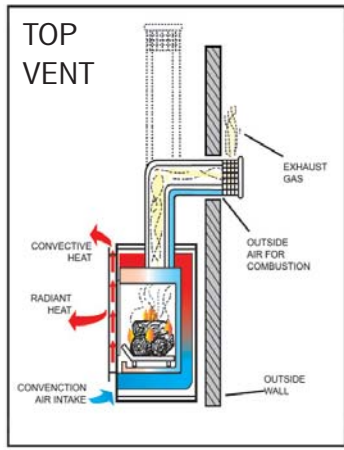
Operate the stove, adjust the flame height and view the current room temperature all from the comfort of your chair.

Healthy Hearth

A completely sealed system, Heat & Glo balanced flue gas fireplaces draw 100% of combustion air from the outdoors and exhaust all combustion by-products back outside, with no effect on indoor air quality. In addition, cold air drafts are eliminated and heat output is maximised. TR technology, another Heat & Glo invention, allows for venting off the top or rear, providing even greater placement flexibility.

Beauty and Brains

The slender and sophisticated parabolic design of the unit, plus the curved front glass panel not only provide beauty and distinction but also deliver natural convection, and fan forced heat.



Please contact us at:

JETMASTER HEAT & GLO

444 Swan Street (near Burnley St), Richmond

Ph: 1300 195 482

EMAIL: info@jetmastervic.com.au

WEB: jetmastervic.com.au

