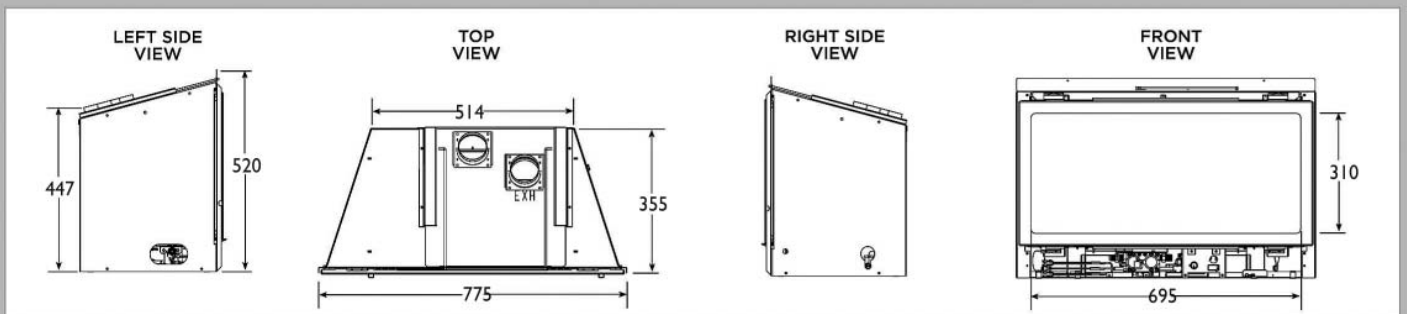


I30-SUPREME & I30-COSMO

Installation Specifications for I30-SUPREME and I30-COSMO (Australian Models)

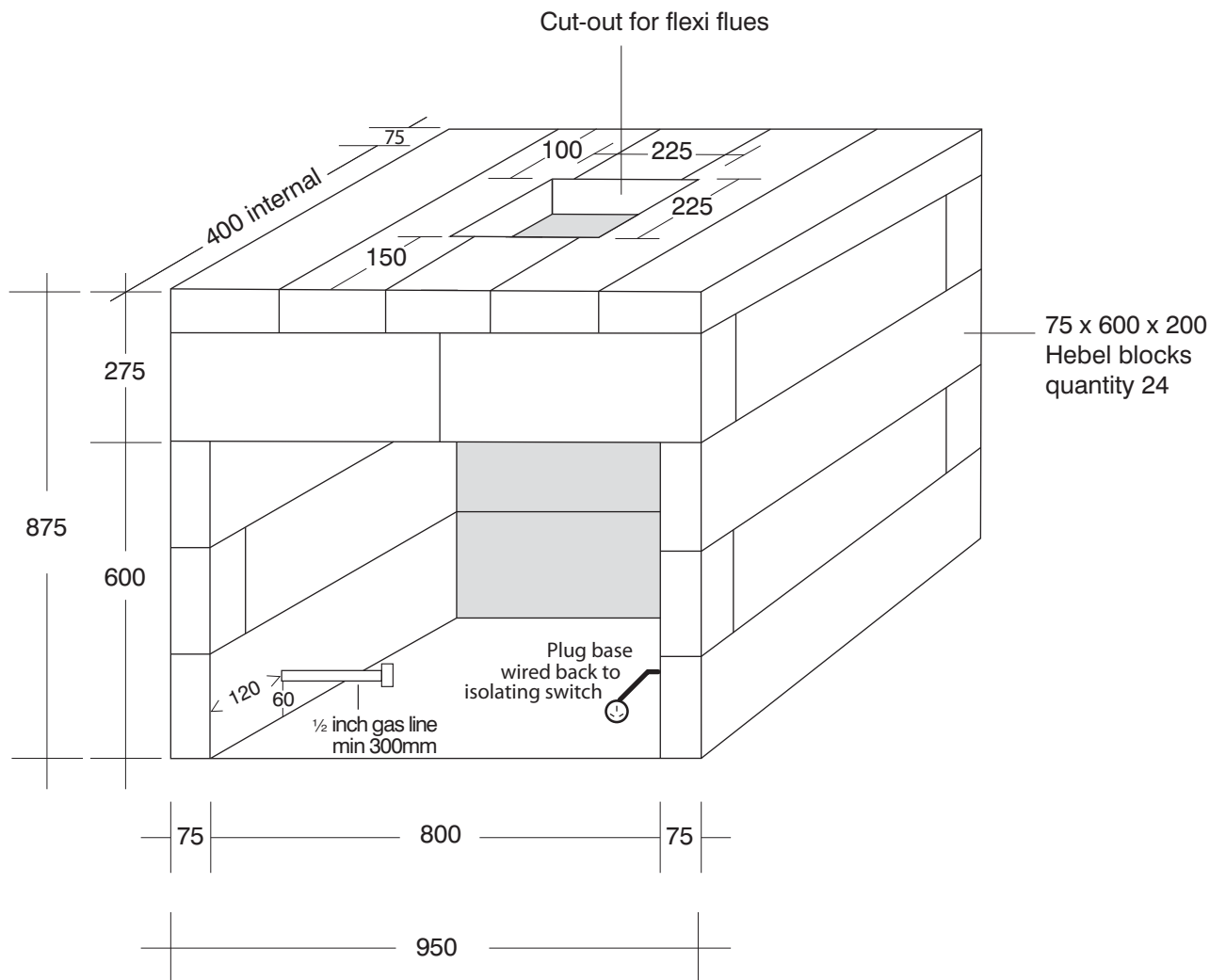
MODEL	FRONT WIDTH		BACK WIDTH		HEIGHT		DEPTH		VIEWING AREA	mj/h (NG)
	UNIT	MIN. FIREBOX OPENING	UNIT	MIN. FIREBOX OPENING	UNIT	MIN. FIREBOX OPENING	UNIT	MIN. FIREBOX OPENING		
SUPREME-I30 COSMO-I30	775	745	514	520	520	485	355	360	695 x 310	31.9 mj/h 26.5 mj/h



Dimensions above are in millimetres and for reference only. We recommend measuring individual units at installation.

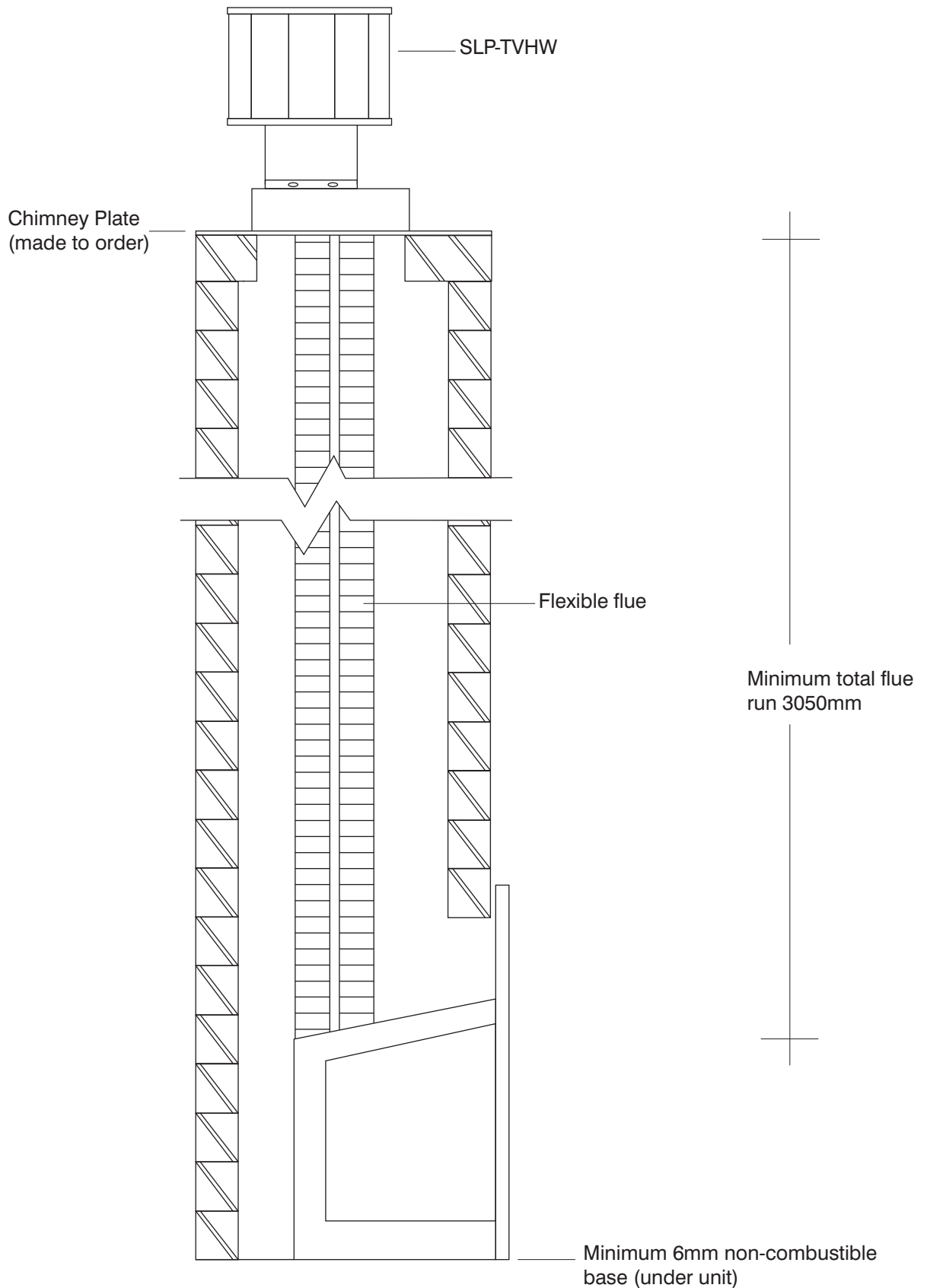
Refer to installation manual for detailed specifications on installing this product. Heat & Glo reserves the right to update units periodically. The flame and ember appearance may vary based on the type of fuel burned and the venting configuration used. Photos in this brochure may vary in colour and dimension (size) from the actual product.

HEBEL SPECS



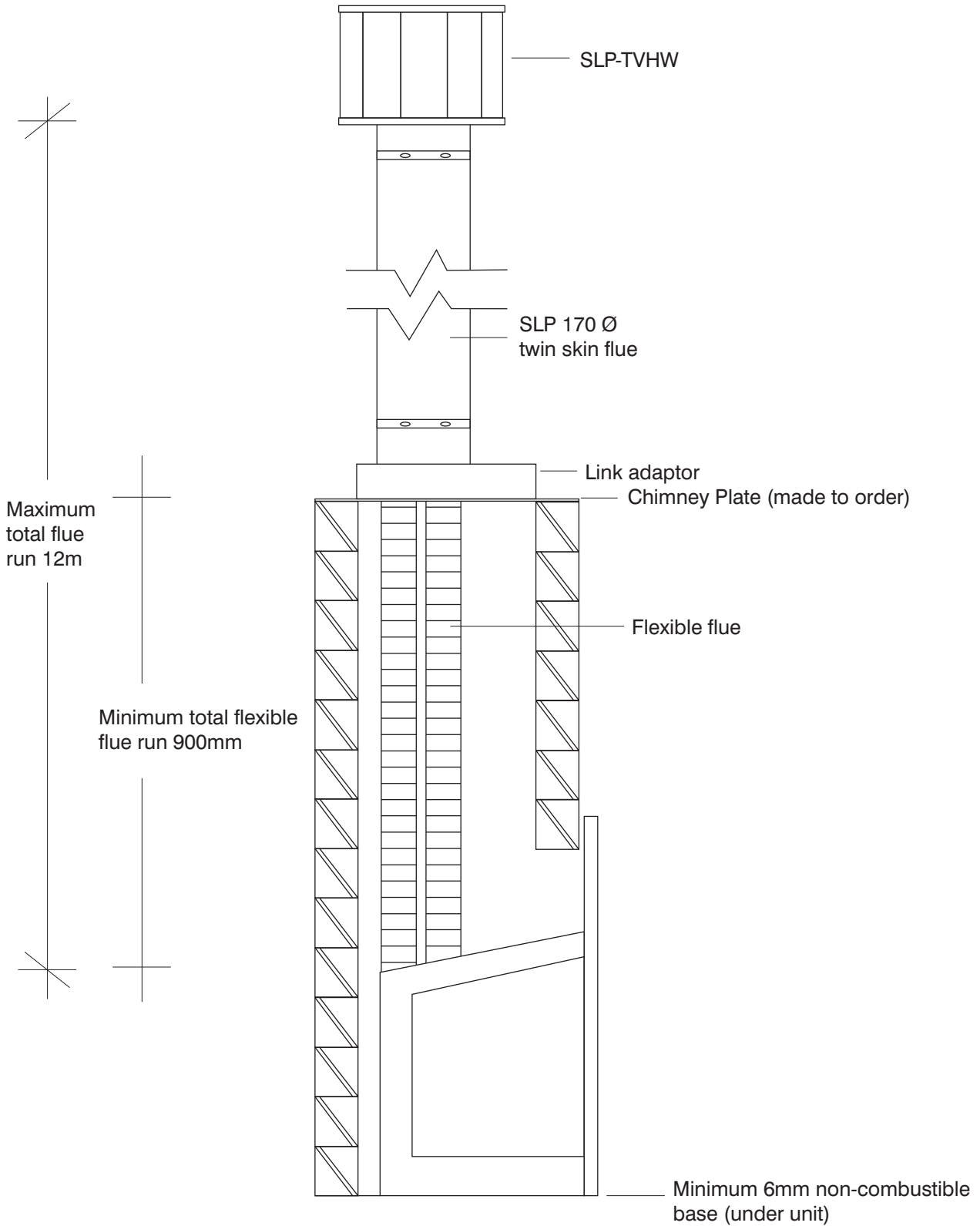
Note: Unit base to have
min 6mm non-combustible
base.
: If using standard front
box depth can be
reduced to 360mm
internal.

FULL BRICK (MASONRY) CHIMNEY



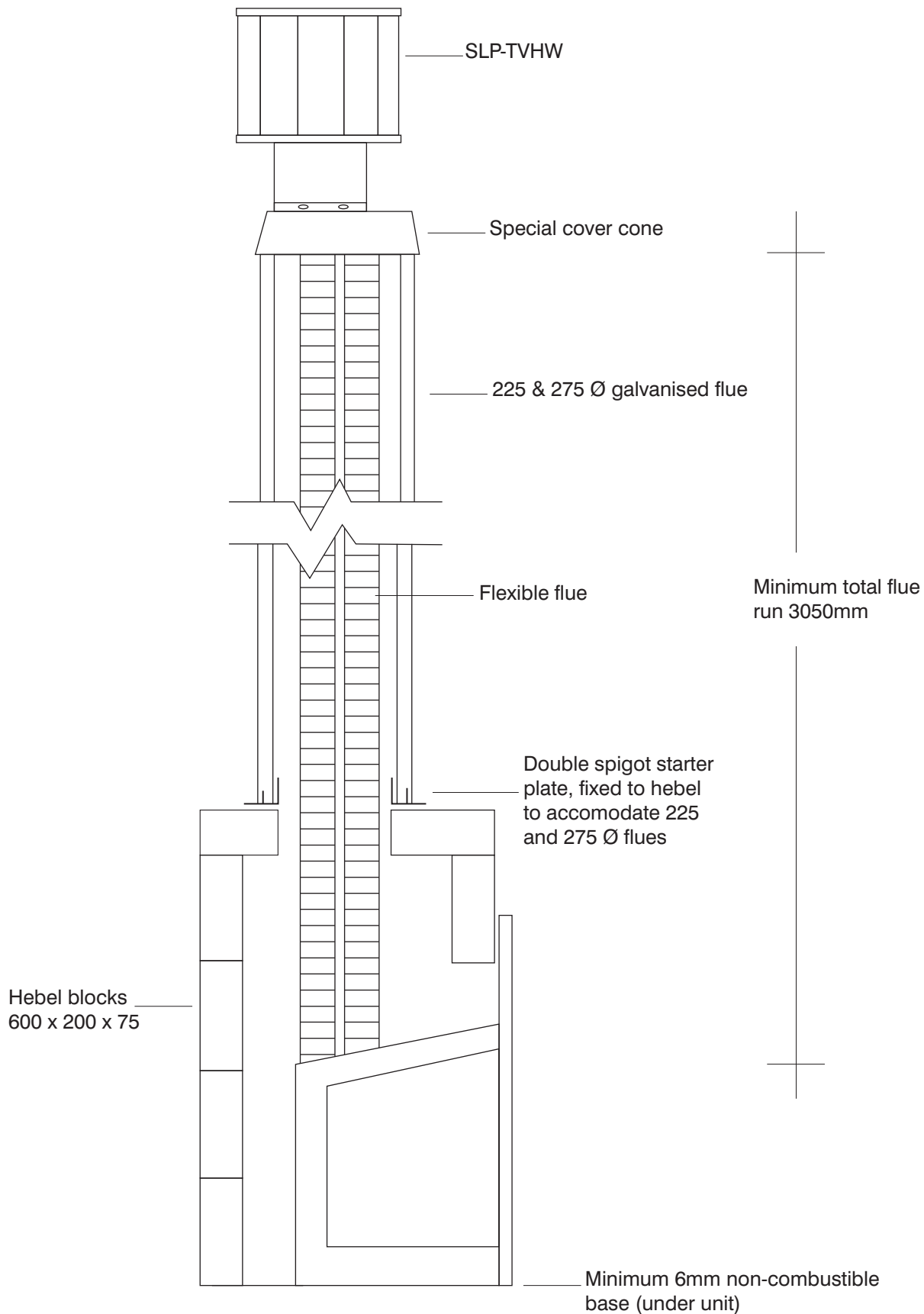
SECTION

CUT-OFF BRICK CHIMNEY



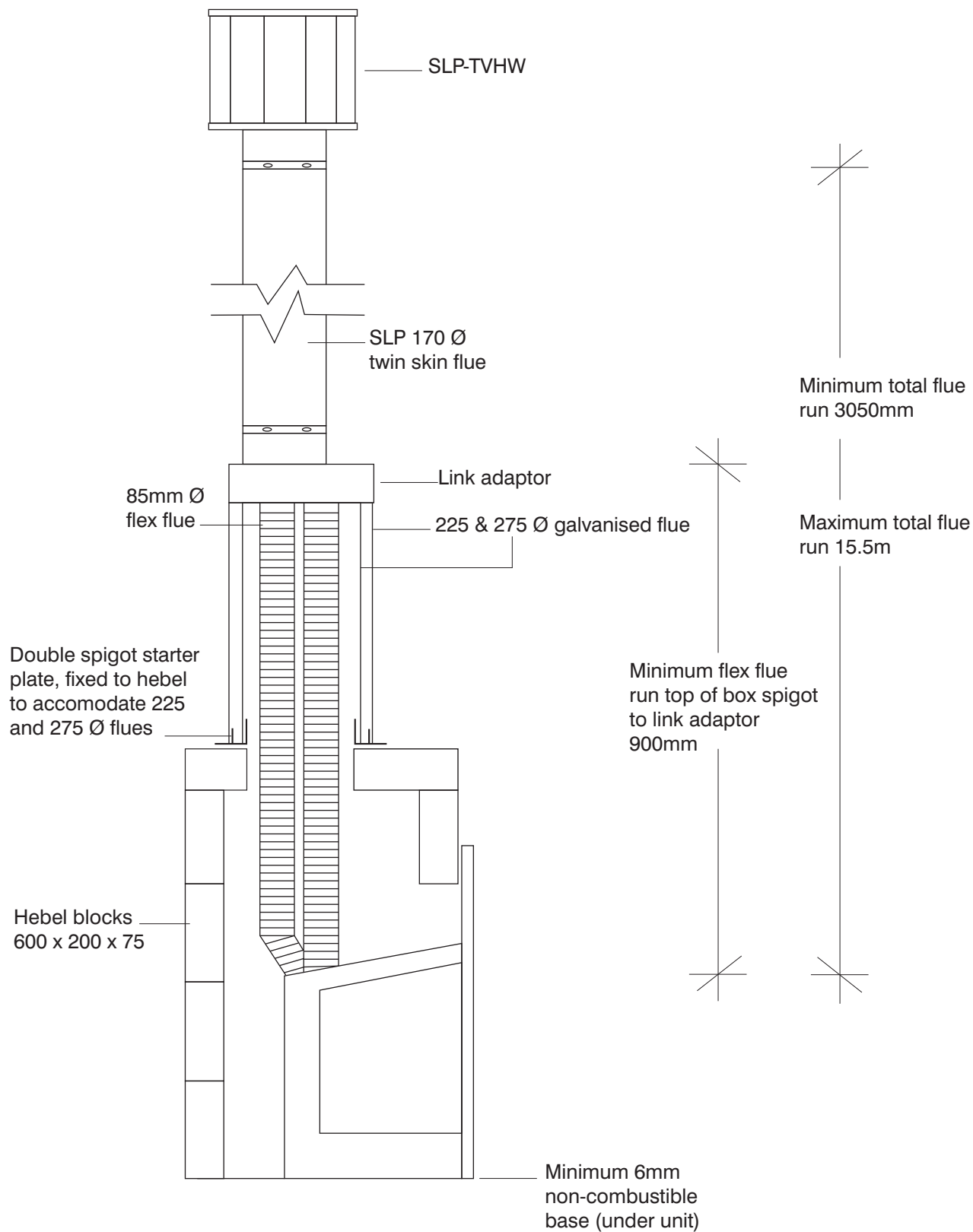
SECTION

FLEXIBLE IN GAL TWIN SKIN



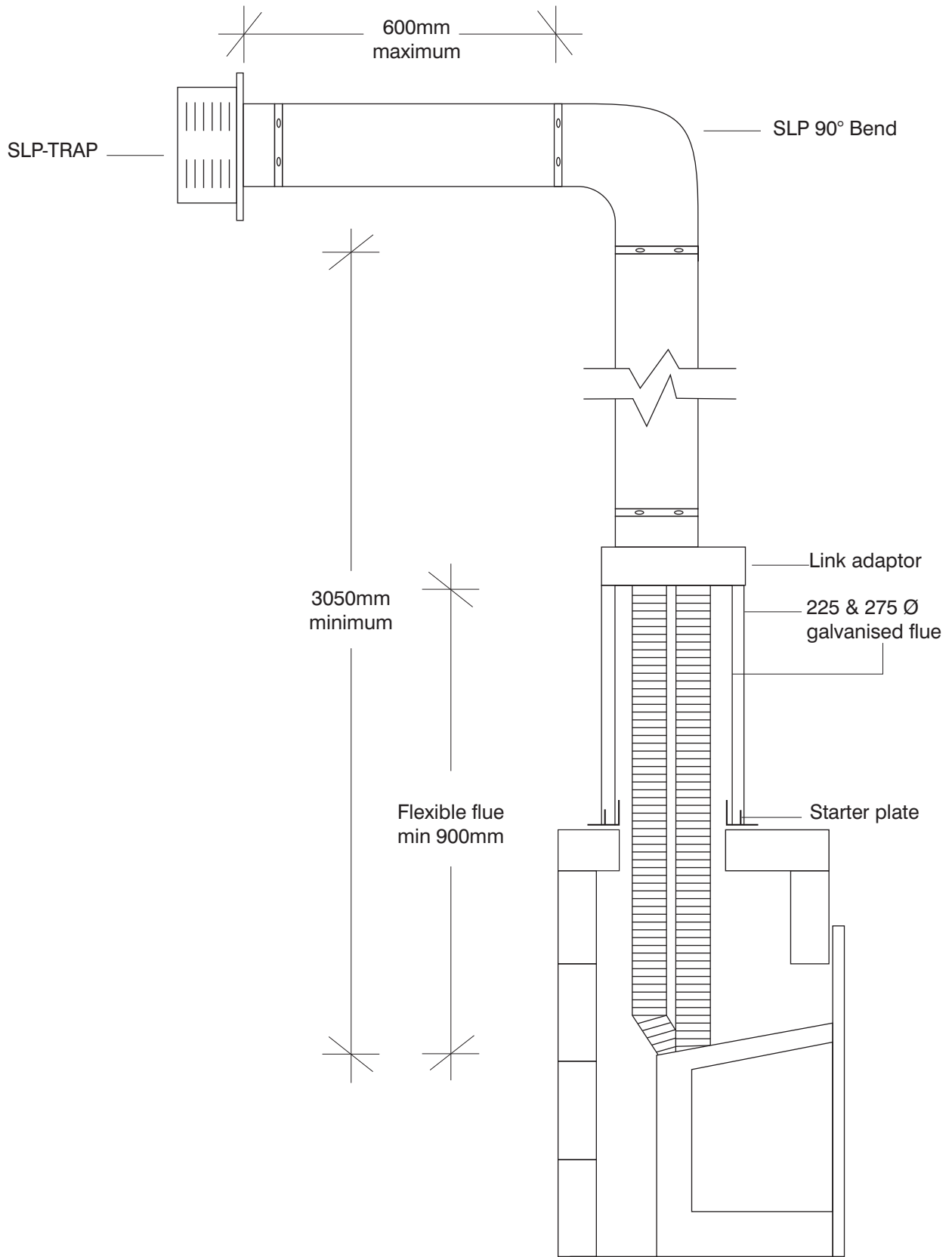
SECTION

FLEXIBLE TO SLP FLUE



SECTION

HORIZONTAL TERMINATION

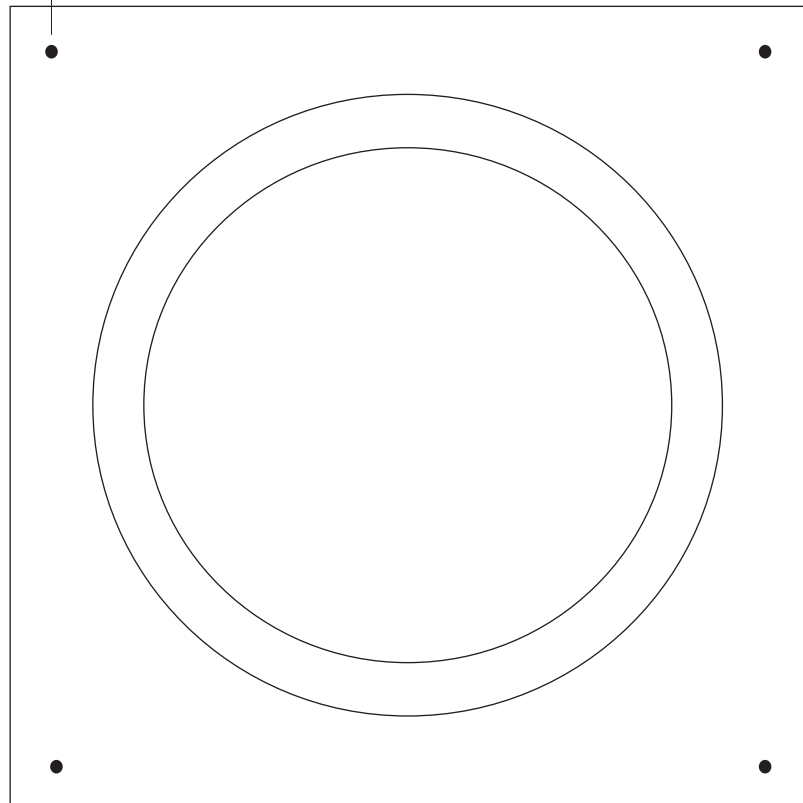


SECTION

FLUE STARTER PLATE

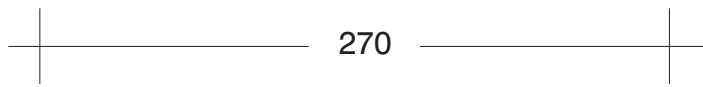
5mm Ø set 20mm in from both sides
on four corners

3mm MILD STEEL



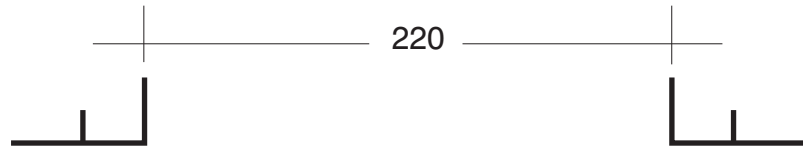
350

ELEVATION



270

SECTION



220

50 100



50