

Mat: - 1.6mm Zincseal

600 Free Standing Unit Casing

NOT TO SCALE

© COPY RIGHT ALL RIGHTS RESERVED

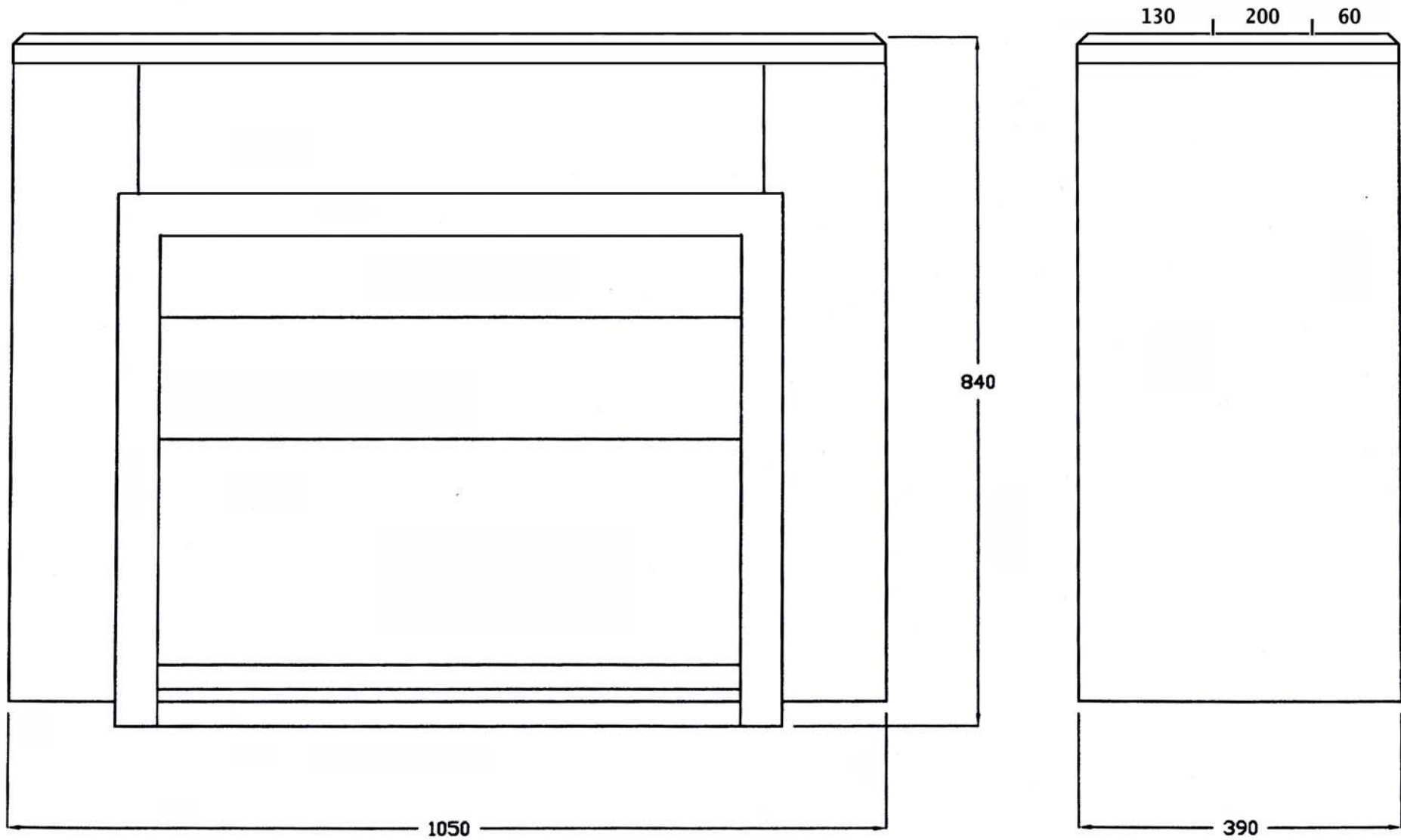
K C Promotions P/L

Ph 97628226 Mobile 0412115503

Drawing No.

JET600FS1

Re Drawn	CRW	19/5/97
Re Drawn	CRW	24/4/91
Drawn By	CRW	12/9/92



Mat: - 1.6mm Zincseal

700S Free Standing Unit Casing

K C Promotions P/L

Ph 97628226 Mobile 0411125865

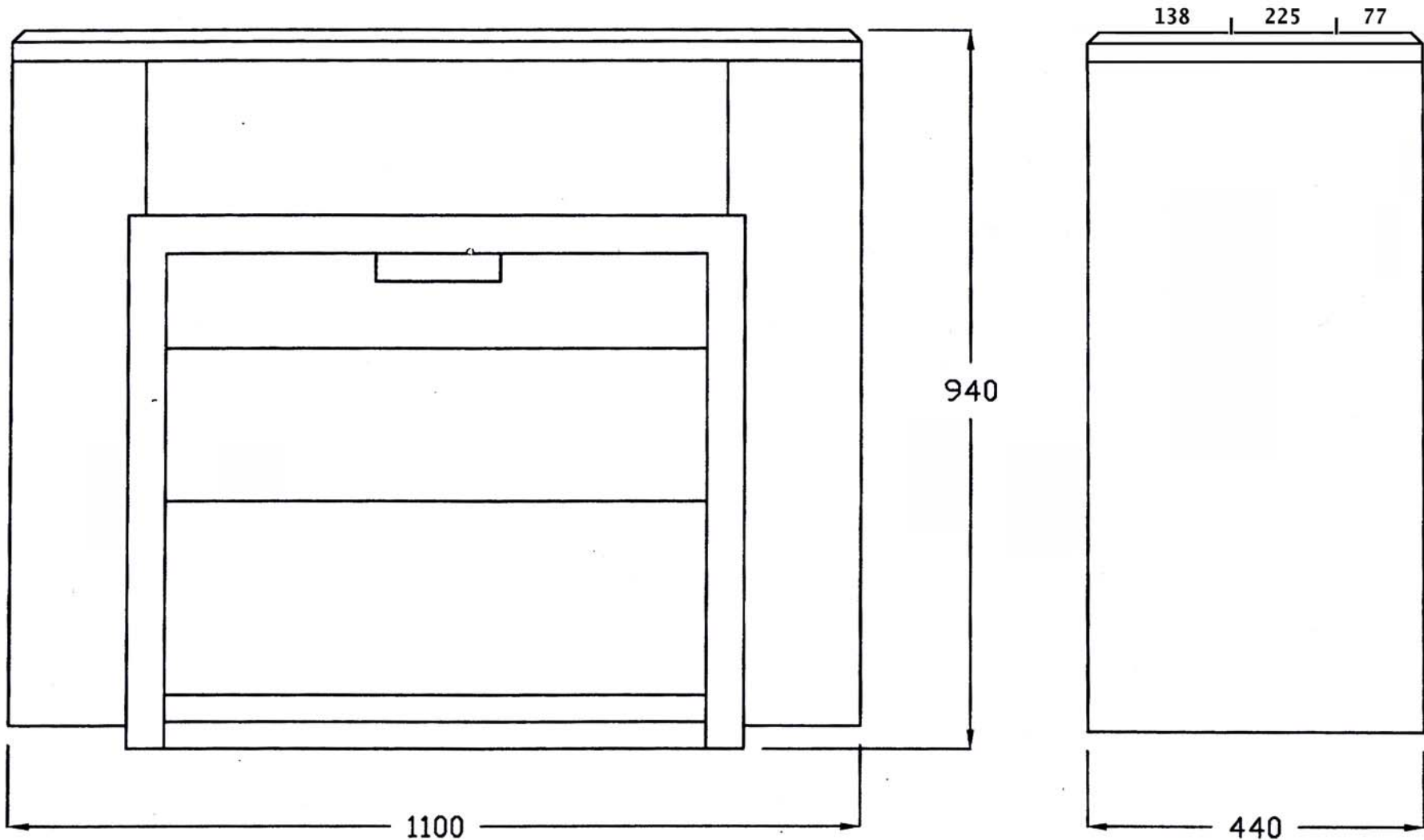
NOT TO SCALE

© COPY RIGHT ALL RIGHTS RESERVED

Drawing No.

JET700SFS1

Re Drawn	CRW	19/5/97
Re Drawn	CRW	24/4/96
Drawn By	CRW	12/9/92



Mat:- 1.6mm Zincseal or SS

700D Free Standing Unit Casing

K C Promotions P/L

Ph 97628236 Mobile 0412115503

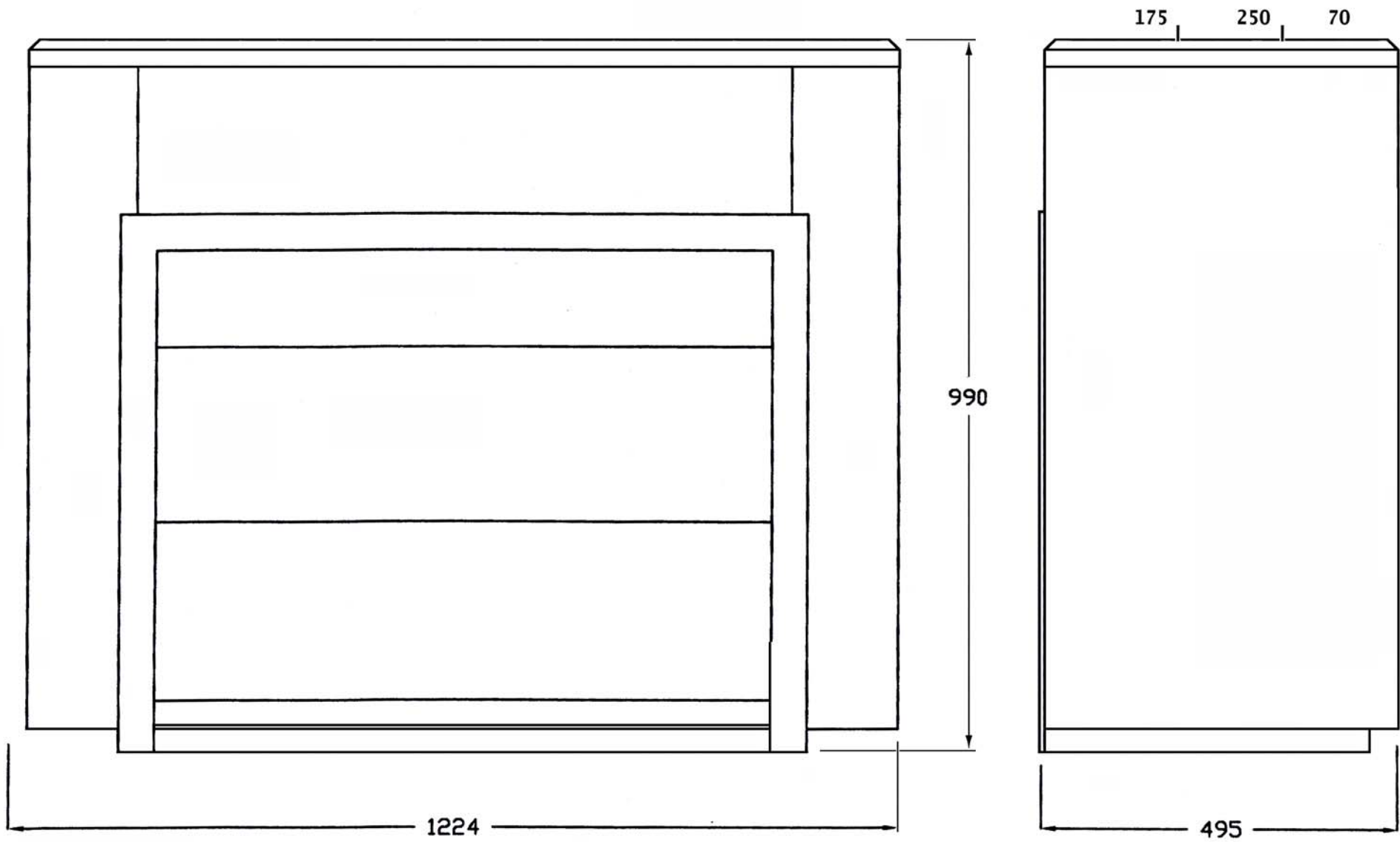
NOT TO SCALE

© COPY RIGHT ALL RIGHTS RESERVED

Drawing No.

JET700DFS1

Re Drawn	CRW	17/6/96
Drawn By	CRW	24/4/96



Mat:- 1.6mm Zincseal

850 Free Standing Unit Casing

K C Promotions P/L

Ph 97628226 Mobile 0411125865

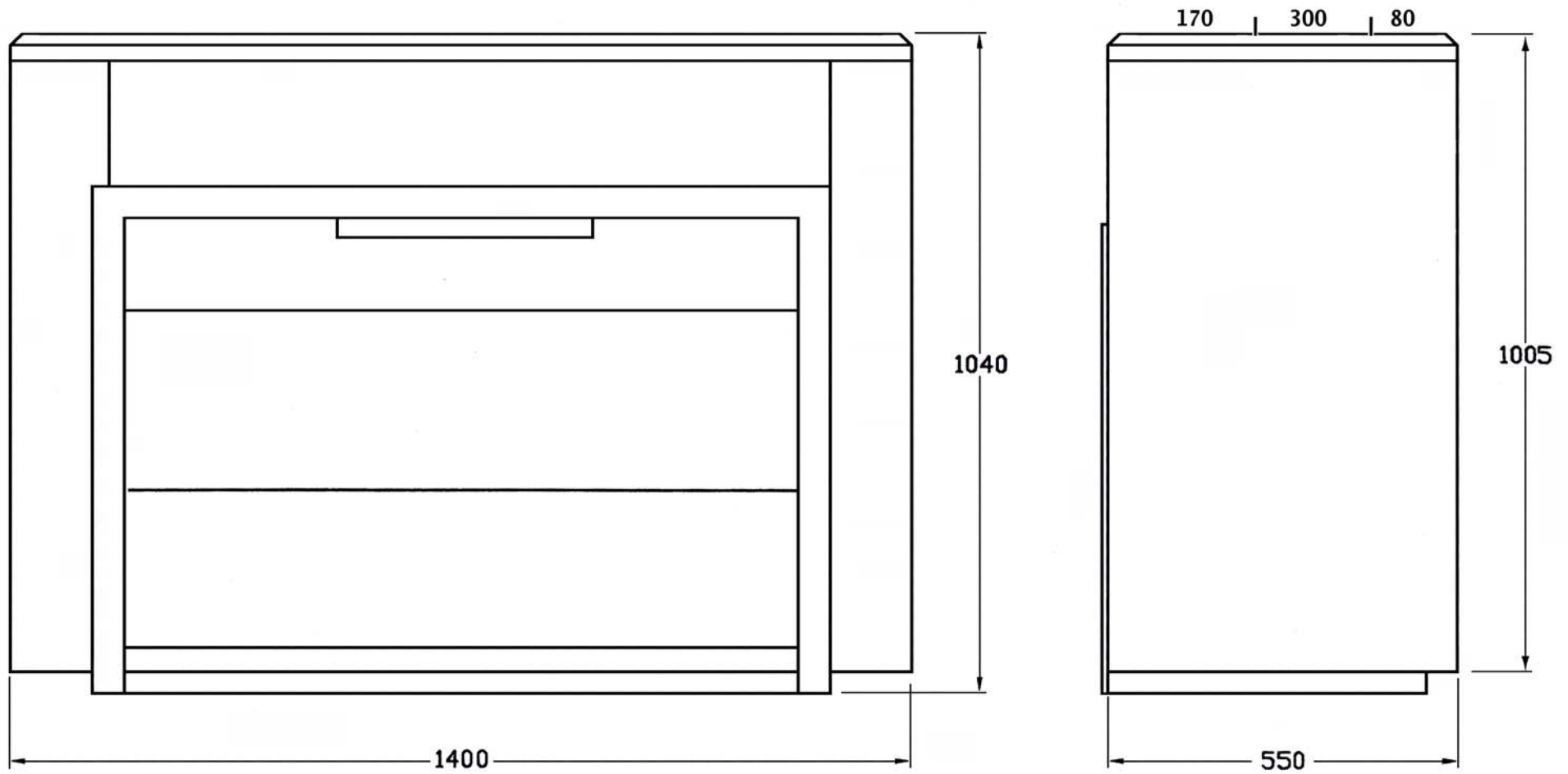
NOT TO SCALE

© COPY RIGHT ALL RIGHTS RESERVED

Drawing No.

JET850FS1

Drawn By	CRW	23/5/96
----------	-----	---------



Mat:- 1.6mm Zincseal Steel

1050 Free Standing Unit

NOT TO SCALE

© COPY RIGHT
ALL RIGHTS RESERVED

K C Promotions P / L

Ph 97628226 Mobile 0411 125 865

Drawing No.

JET1050FS

Drawn By

CRW 16/7/99