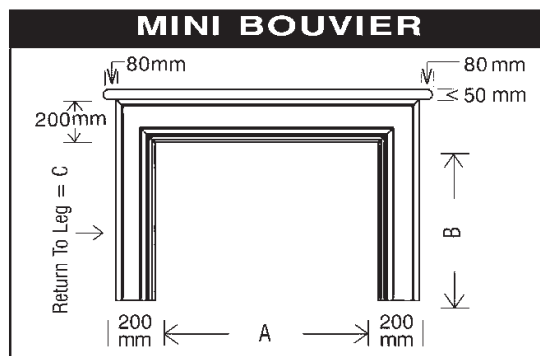
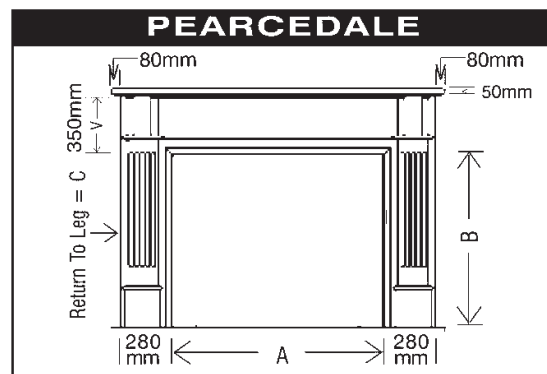
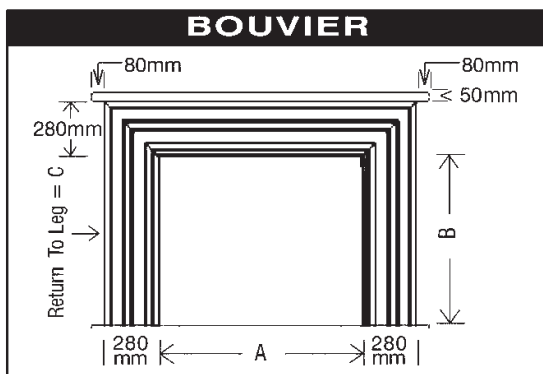
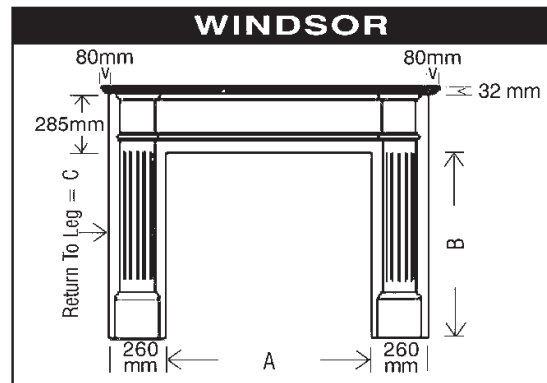
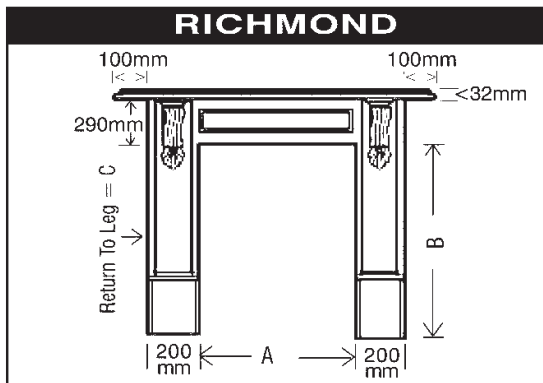


HEAT & GLO MANTELPIECE SIZES

Unit	Internal Width (A)	Height (B)	Standard Returns	Special Returns
SL 350/metal flange	900mm	835mm	5mm	
SL 350/marble margins	1000mm	835mm	25mm	
SL 550/Pattern Square fascia	1050mm	900mm	15mm	
SL 550/Classic fascia	1050mm	1000mm	15mm	
SL 550/metal flange	970mm	875mm	5mm	
SL 550/marble margins	1075mm	880mm	25mm	
6000/Pattern Square fascia	1180mm	940mm	15mm	
6000/Classic fascia	1180mm	1080mm	15mm	
6000/metal flange	1100mm	950mm	5mm	
6000/marble margins	1200mm	970mm	25mm	
Supreme-I30/Classic fascia	1050mm	1000mm	15mm	
Supreme-I30/Pattern Square fascia	1050mm	900mm	15mm	

Total Shelf Width: _____

Total Width outside leg to outside leg: _____



Specifications subject to change, contact Jetmaster prior to commencement.