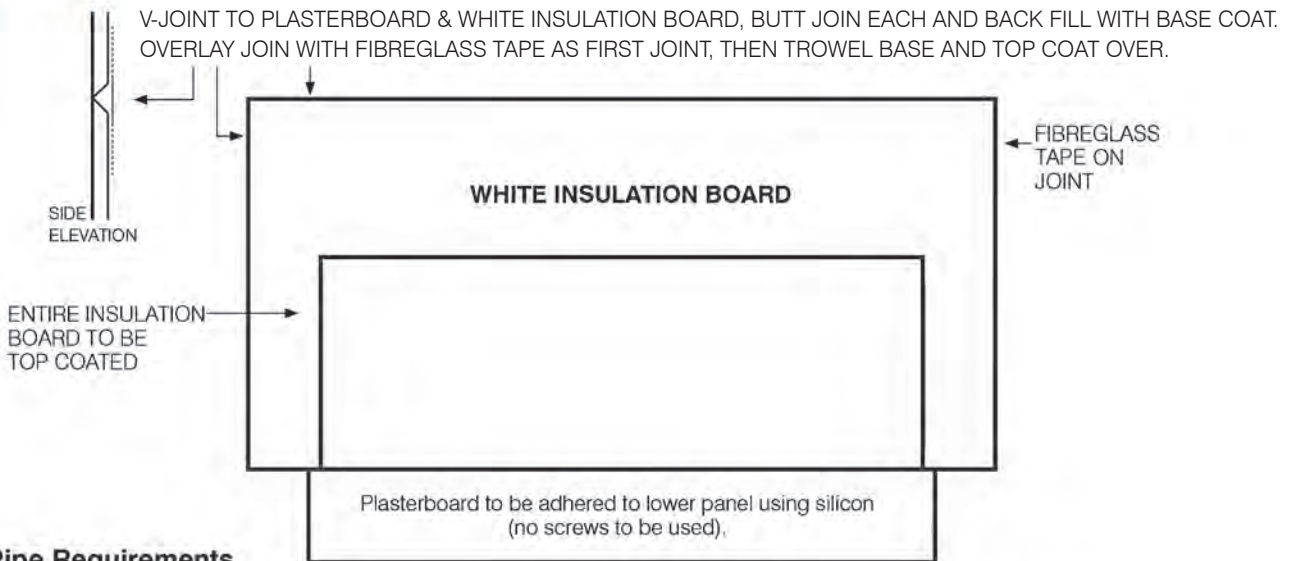


INSTALLATION MEZZO – AU

AGA – Approval No. GMK10222

NOTE - Unit must be installed (and gas connected) prior to plaster sheeting.

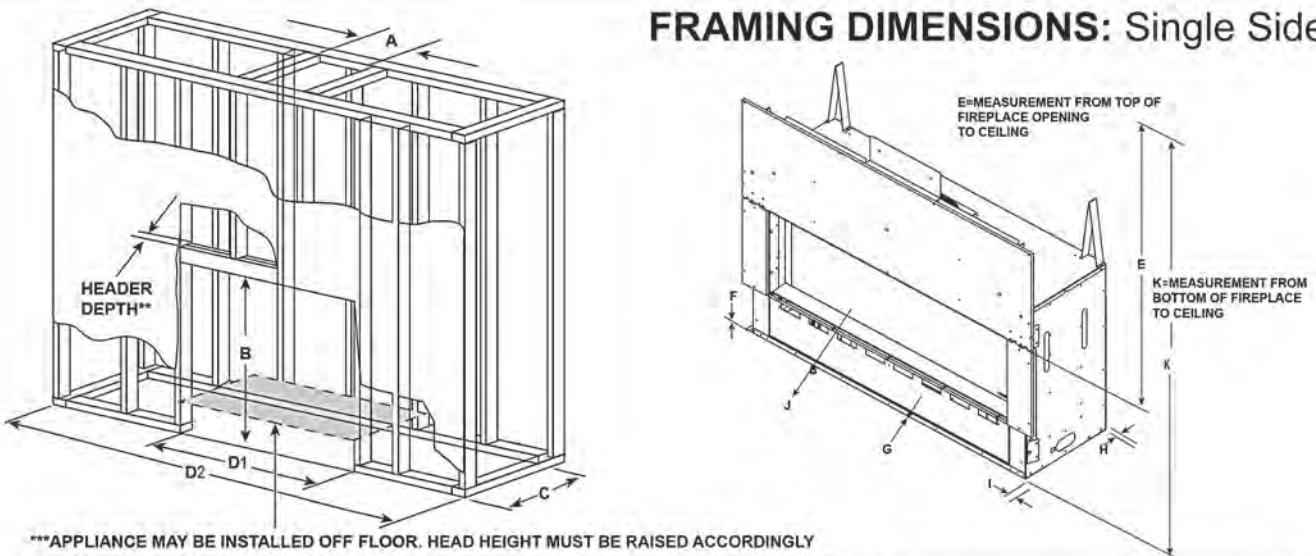
- Position unit into framed opening with minimum clearances as per specifications on following pages. Frame opening height is from the bottom of unit. This unit is designed to be raised from the floor.
- Run flues in accordance with the options in the installation manual.
- Butt join plasterboard and white insulation board at top of heater. USING ONLY FIBREGLASS TAPE finish insulation board to plasterboard as per normal plasterboard procedures. Ensure that top coat finish extends down to top of heater, as indicated in diagram below. Insulation board will remain exposed as part of the finished plaster face.
- Unit should always be operated with External Fan in the ON position. Failure to run the fan may result in hairline cracks appearing in the plaster above the unit.



Gas Pipe Requirements

- 1 If polyethylene composite gas pipe is to be used, a clearance of 150mm must be maintained from all flues.
- 2 Polyethylene composite gas pipe must not be used as the final connection onto the heater.
- 3 Leave a 1 metre tail of 1/2 inch copper pipe.

FRAMING DIMENSIONS: Single Sided



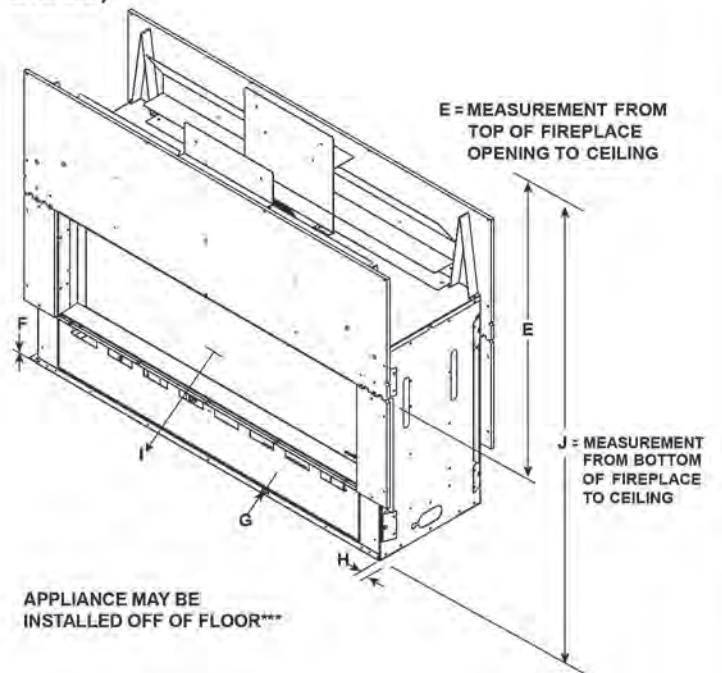
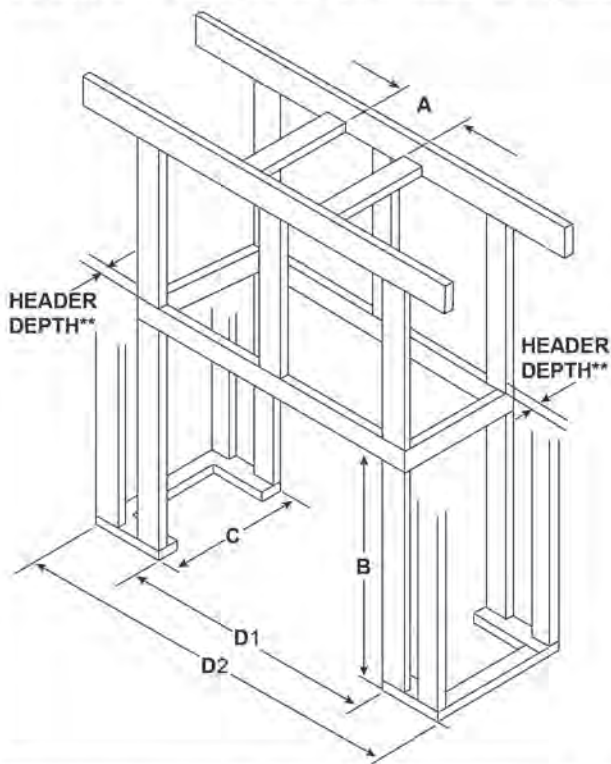
MINIMUM FRAMING DIMENSIONS*

MEZZO-AU	A	B	C	D1 ⁺	D2	E	F	G	H	I	J	K
	Rough Opening (Vent Pipe)	Rough Opening (Height)	Rough Opening (Depth)	Rough Opening (Width)	External framing width to allow for External Fans	Clearance to Ceiling	Combustible Floor	Combustible Flooring	Behind Appliance	Sides of Appliance	Front of Appliance	Clearance to Ceiling
1000-AU	255	1070	465	1225	1940	790	0	0	25	25	1220	1410
1300-AU	255	1070	465	1530	2245	790	0	0	25	25	1220	1410
1600-AU	255	1220	465	1835	2550	790	0	0	25	25	1220	1410

⁺ = Extra 712mm has been added to 'D1' measure for External Fan/s
^{*} = Adjust framing dimensions for interior sheathing (such as sheetrock)
^{**} = Header depth not to exceed 89mm.

^{***} = If appliance is installed off of floor, maintain required clearances to combustibles. Construct platform in accordance with local building codes.

FRAMING DIMENSIONS: 1300-ST (Double Sided)



MINIMUM FRAMING DIMENSIONS*		A	B	C	D1	D2*	E	F	G	H	I	J
		Rough Opening (Vent Pipe)	Rough Opening (Height)	Rough Opening (Depth)	Rough Opening (Width)	External framing width to allow for External Fans	Clearance to Ceiling	Combustible Floor	Combustible Flooring	Sides of Appliance	Front or Rear of Appliance	Clearance to Ceiling
1300ST-AU	mm	255	1070	435	1530	2245	790	0	0	25	1220	1410

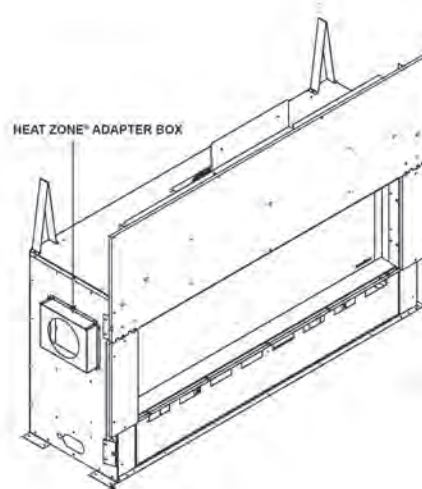
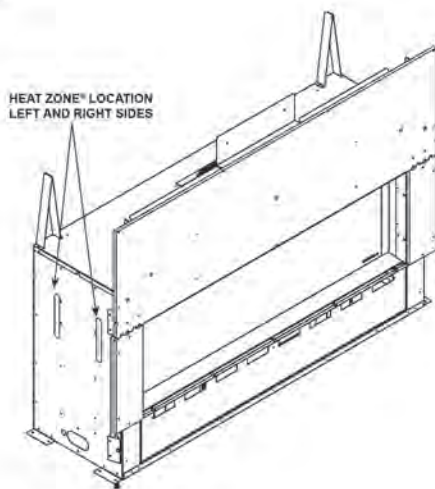
- * = Extra 712mm has been added to 'D1' measure for External Fan/s
- * = Adjust framing dimensions for interior sheathing (such as sheetrock)
- ** = Header depth not to exceed 89mm.

*** = If appliance is installed off of floor, maintain required clearances to combustibles. Construct platform in accordance with local building codes.

MEZZO HEAT ZONE - Details

- Locate the Heat-Zone® ports on the left and right sides of the appliance. See Figure 5.5. Remove the knockouts from the appliance with a tin snips.
- Place the Heat-Zone® adapter box into position prior to the final positioning of the fireplace as shown in Figure 5.5. Secure using eight self-tapping screws. Ensure the Heat-Zone® knockouts are completely covered by the adapter box.

- Center the duct collar around the exposed hole and attach it to the appliance with 3 screws.
Note: The adapter box will protrude out further than the one inch (25 mm) standoffs on the appliance.
- Determine the location for the air register/fan housing assembly.
Reference the Heat-Zone® Kit instructions for the remaining installation steps.



NOTE – Important information regarding Mezzo installation

Please be advised of the following MUST DO items concerning Mezzo appliance setup for installers

- Mezzo fireplaces must ALWAYS be run with the fan/s operating
- Retaining brackets for glass refractory panels should be installed so as to not pinch the panels. If the brackets are slightly angled or are tight against the refractory glass, it can cause the glass to crack under the pressure of expansion of heating up. PLEASE NOTE: This will not be covered under warranty by HHT or Jetmaster in the event of breakage (see page 50 of the manual)
- Glass media should not cover or impede the area in front of the pilot or to be placed in such a way that could cause the glass to fall into the pilot assembly area. Delayed ignition potentially causing explosive ignition can occur as a result (see pages 52 and 53)
- Do not put any flat media pieces larger than 13mm in diameter near the pilot. Delayed ignition could occur. Use only round 13mm pieces near the pilot as per figure 11.5 (page 51) on the attached manual.

IMPORTANT POINTS TO NOTE

- Use the nailing tabs provided to properly position, level and secure the appliance to the framing.
 - They are designed as a means to ensure the fireplace is mounted flush with the framing materials
 - They ensure the plaster join to the non-combustible board is supported adequately
- Do not use cornice cement compound as it appears to dry too hard and can be subject to cracking
- Do not use paper tape for joining plaster to non-com board as it can be affected by the heat and lift away from the plaster. Fibreglass tape is recommended.
- **White board must be secured to the framing board.**

It is imperative that these points are followed to ensure the continuity of the product finish.

Owner's Manual

Care and Operation

ADDENDUM

PLEASE NOTE ON THE FOLLOWING MODELS:

MEZZO-1000-AU / MEZZO-1300-AU / MEZZO-1600-AU

1. FANS MUST BE RUN AT ALL TIMES!
2. RUNNING HEAT ZONE FANS IS
OPTIONAL