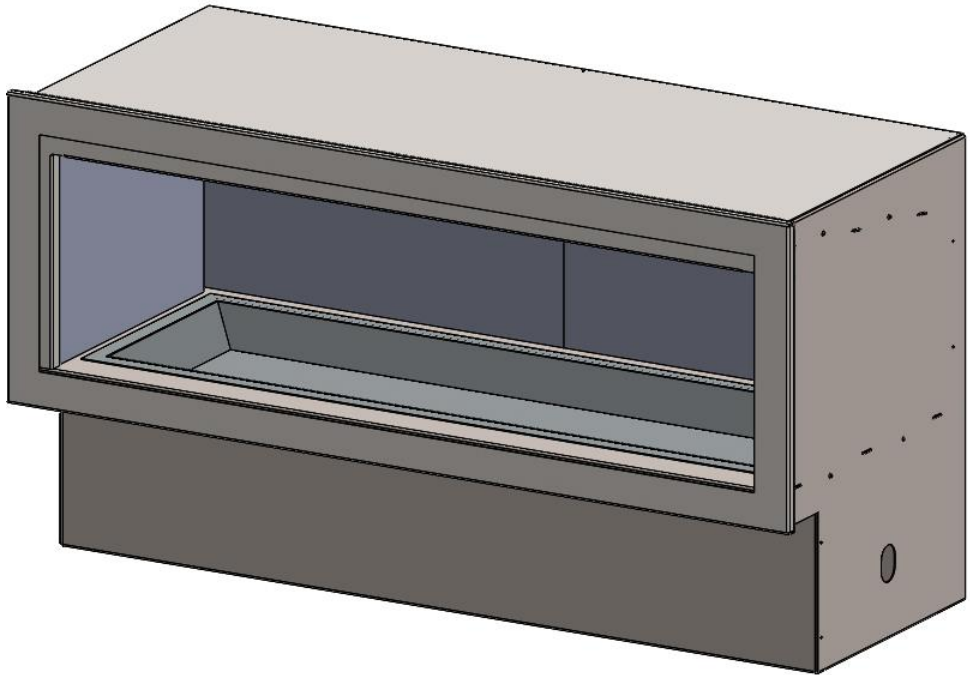




Specialists in fireplace design and manufacture

PATIO HORIZON **INSTALLATION & OPERATING INSTRUCTIONS**



IMPORTANT:

INSTALLER, PLEASE LEAVE THESE INSTRUCTIONS WITH THE UNIT ON COMPLETION.

Head Office – 13 French Avenue, Brendale, Queensland 4500

Telephone – PH: (07) 3490 5500

Facsimile – FAX: (07) 3490 5520

Website: - www.kemlan.com.au

Business hours: - Monday to Thursday 7:30am-4:00pm. Friday 7:30am-2:00pm

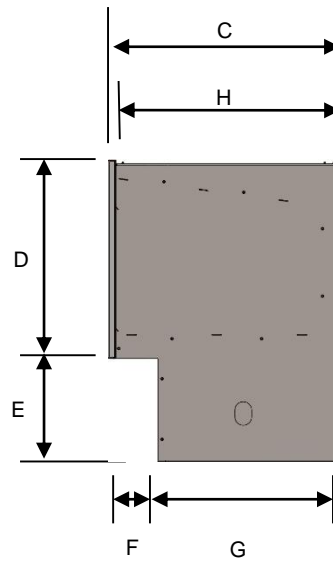
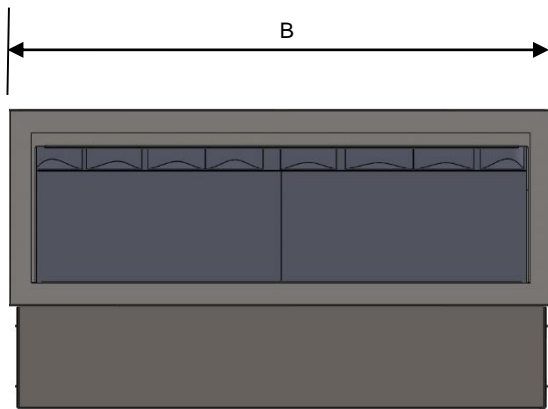
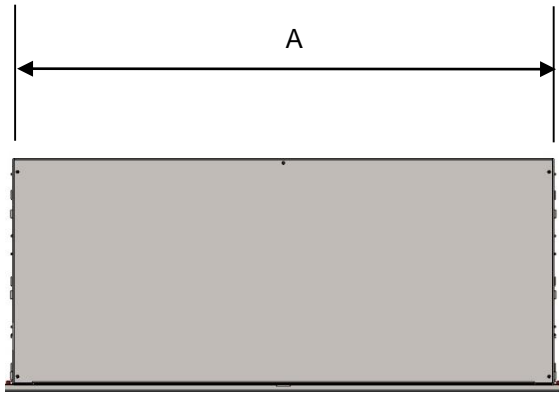
Email: - sales@kemlan.com.au

PATIO HORIZON

INSTALLATION INSTRUCTIONS

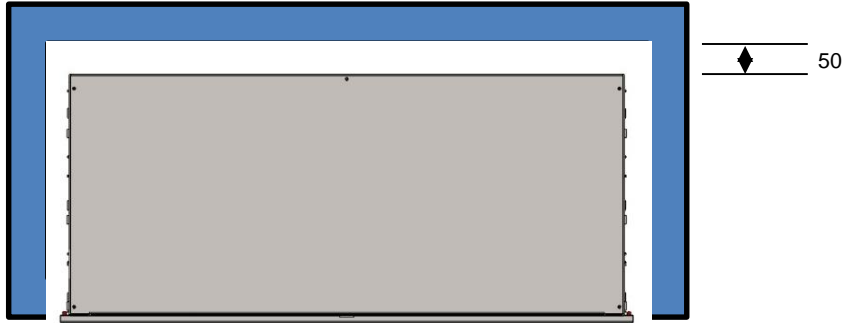
- The flue less patio horizon gas fireplace come standard with, fireplace casing with waterproof wave pattern ceramic liners, 304 grade stainless steel burner (72Mj) glass bead media, removable trim with built in screen and on / off wall switch.
- As per the diagram this can be installed into a timber framework with a non – combustibile zone of 300mm above the top of the fireplace where a minimum 9mm fibre cement sheeting is to be used to clad wall.
- 50mm clearance from sides and back of appliance to any combustibile material.
- **This unit can only be installed into an outside area with sufficient ventilation as per gas regulations (minimum 2 open sides).**
- This unit is battery pack operated using 2x D size batteries.
- To change batteries, burner will need to be removed to access battery pack.
- Ignition on / off switch is located on right hand side of the firebox. This can be extended to a more user friendly location.
- Gas bottle must not be stored under the unit. Please refer to the accompanying instruction manual for the correct gas bottle storage location.

PATIO HORIZON DIMENSIONS

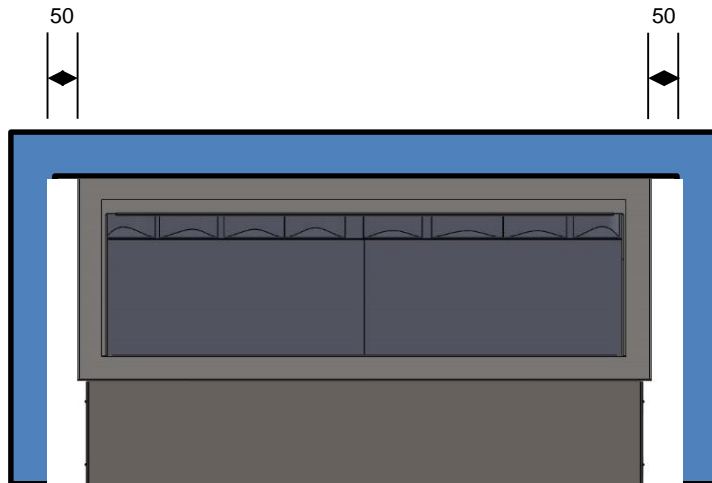


	A	B	C	D	E	F	G	H
MEASUREMENT	1190	1227	513	441	230	111	402	495

PATIO HORIZON CLEARANCES



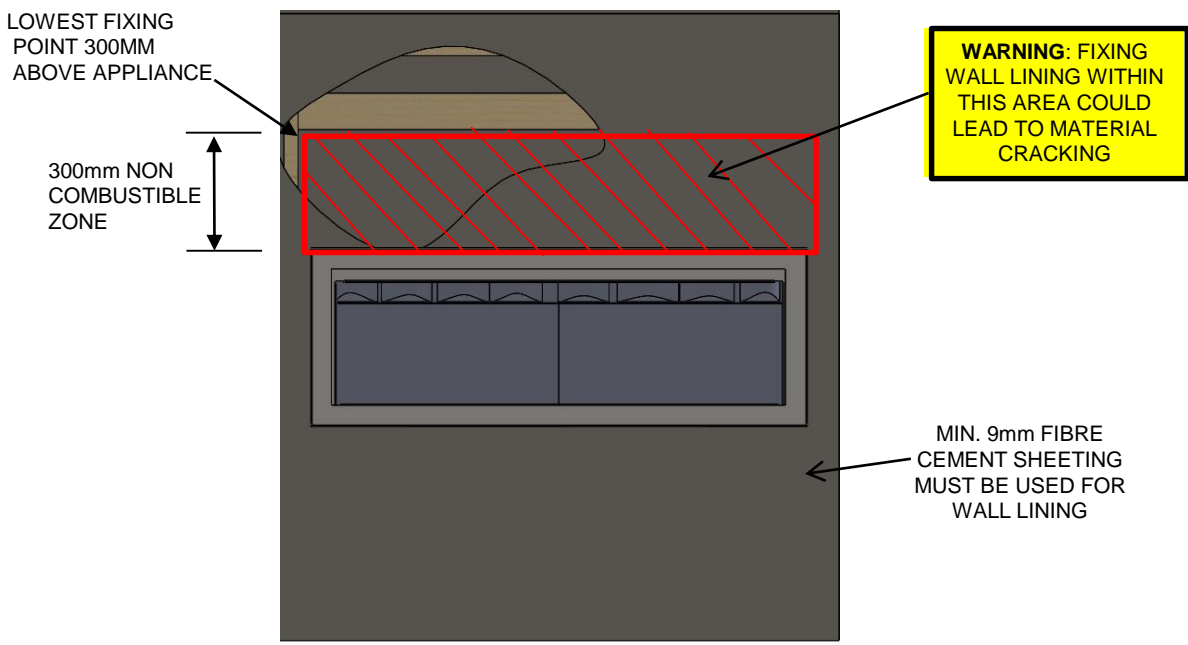
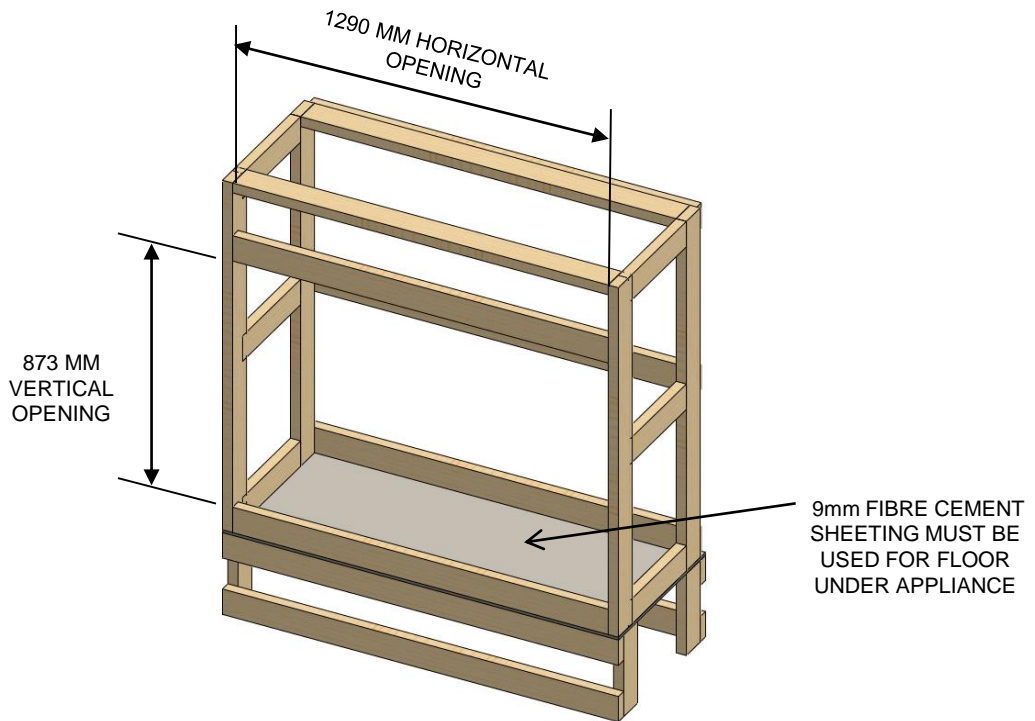
TOP VIEW



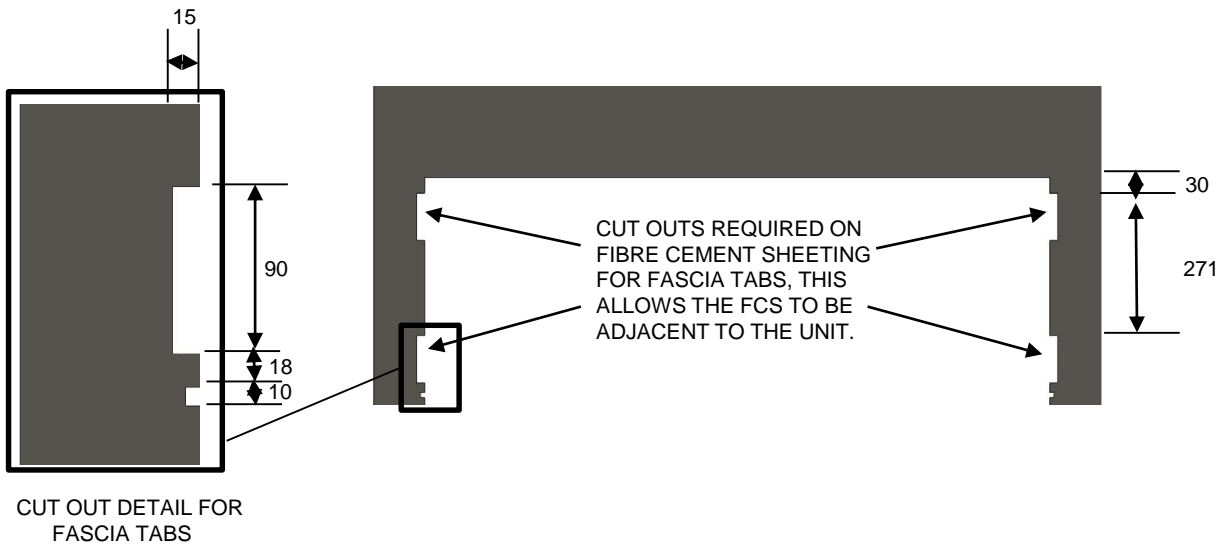
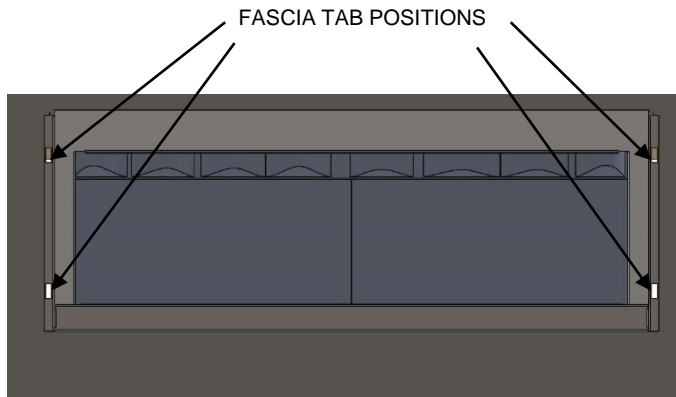
FRONT VIEW

NOTE: CLEARANCES ARE TO ANY COMBUSTIBLE MATERIAL

PATIO HORIZON TIMBER FRAMING INFORMATION



PATIO HORIZON TIMBER FRAMING INFORMATION



PATIO HORIZON LOCATION REQUIREMENTS

Appendix E

FIGURE E2 - OUTDOOR AREA - EXAMPLE 2

DIAGRAMMATICAL REPRESENTATIONS OF OUT DOOR AREAS - INFORMATIVE

The following figures are diagrammatical representations of outdoor areas as described in the definition Clause 1.2.49. Rectangular areas have been used in these figures - the same principles apply to any other shaped area.

FIGURE E1 - OUTDOOR AREA – EXAMPLE 1

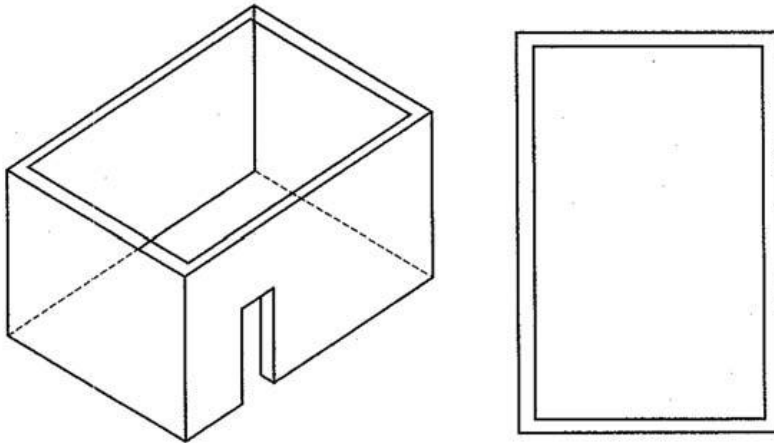
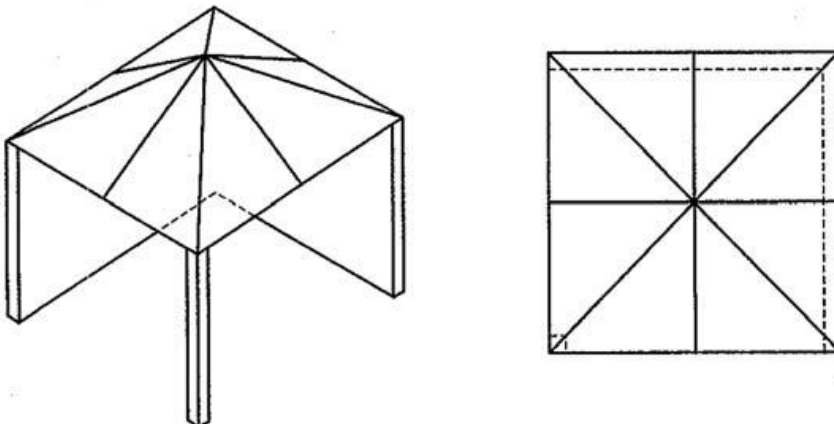


FIGURE E2 - OUTDOOR AREA - EXAMPLE 2



Appendix E CONTINUED

FIGURE E3 - OUTDOOR AREA - EXAMPLE 3

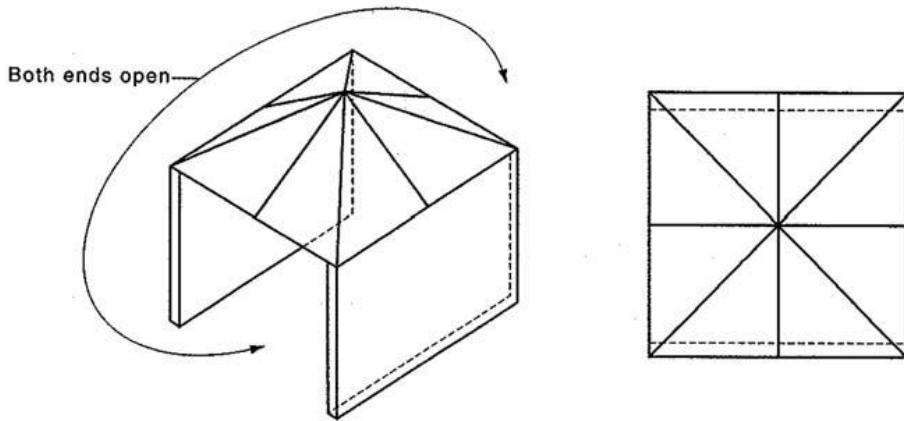


FIGURE E4 - OUTDOOR AREA - EXAMPLE 4

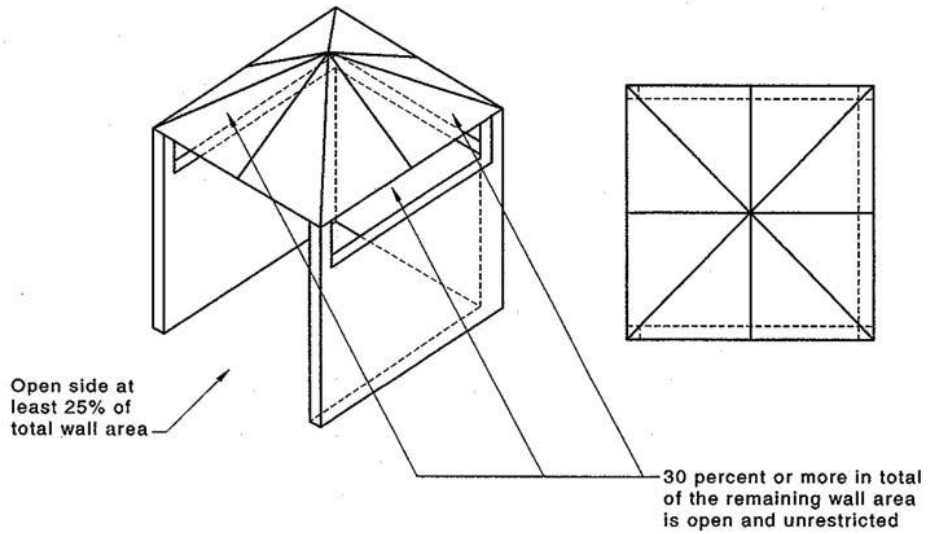
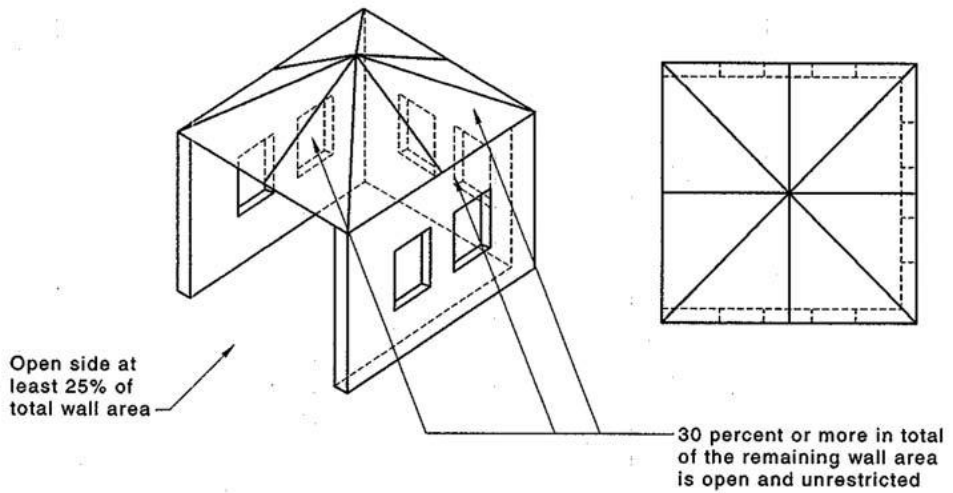


FIGURE E5 - OUTDOOR AREA - EXAMPLE 5



User Instructions

1. As with all gas appliances your Patio Horizon fire should be regularly serviced. We recommend once each year. Contact your nearest Jetmaster authorized agent to provide service. The routine for an authorized person to follow has been set out in an attached leaflet.
2. • DO NOT place articles on or against this appliance.
 - DO NOT use or store flammable materials near this appliance
 - DO NOT spray aerosols in the vicinity of this appliance while it is in operation.”
 - THIS APPLIANCE SHALL NOT BE installed or used indoors
 - PRIMARILY DECORATIVE APPLIANCE NOT CERTIFIED AS SPACE HEATER.
3. After the appliance has been installed the installer needs to test that the fire is operating correctly before leaving. All pressures need to be checked.

Warranty

Provided the appliance has been correctly installed according to instructions, Jetmaster guarantee the cost of replacing parts and the labour in connection therewith for a period of 12 months from date of installation. Should the appliance be subject to a service contract the replacement of the parts and the service involved in such replacement shall be at no charge to the owner and the Warranty shall be extended to 3 years (provided the appliance had been continuously serviced by an approved Jetmaster agent.)