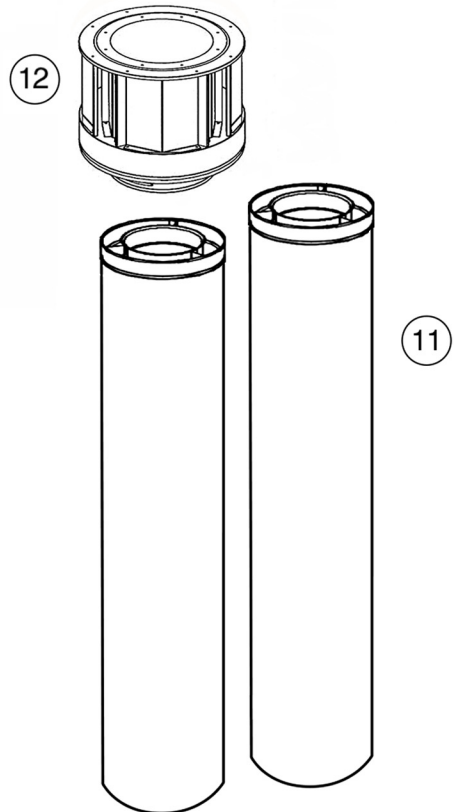
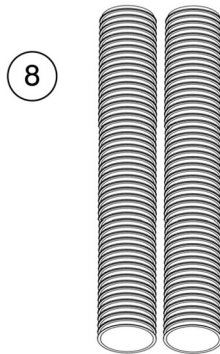
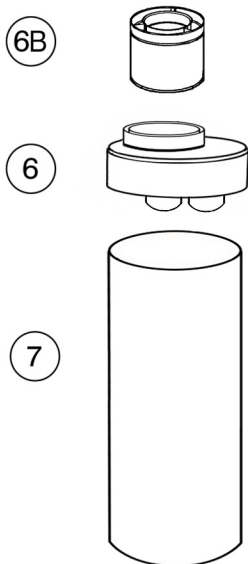
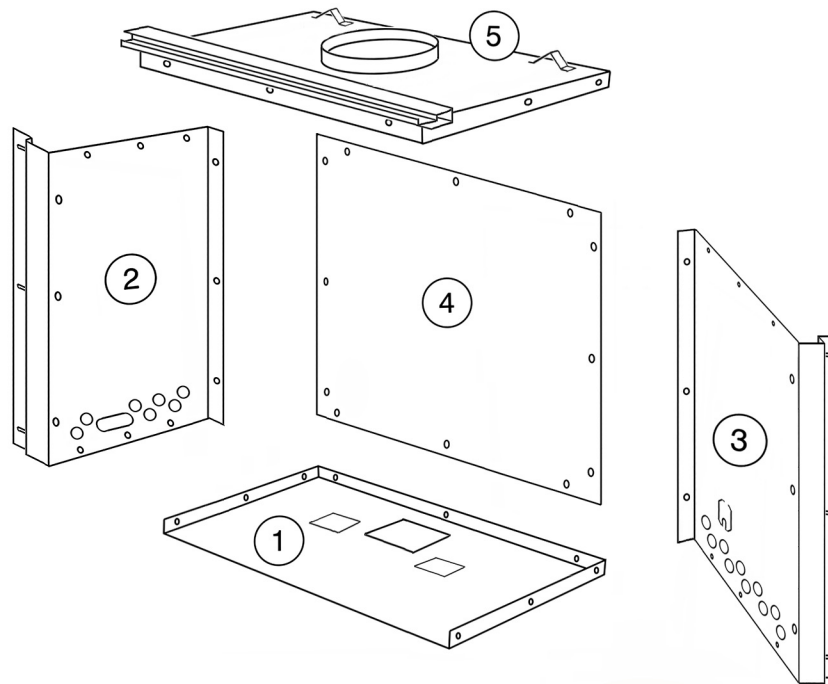


I-30 ZERO CLEARANCE MODEL

Components



ZERO CLEARANCE KIT COMPONENTS

No.	Description	Qty	Size
1	Base Panel	1	800 x 445
2	LH Side Panel - gas	1	520 x 445
3	RH Side Panel - electric	1	520 x 445
4	Rear Panel	1	800 x 520
5	Top Panel	1	800 x 445
6	Transition Piece 6B SLP6A Slip Flue	1	
7	900mm gal flue - (275mm diam)	1	
8	Flexi Flue - 1200 mm	2	
9	Pack of 30 screws	1	
10	Plastic grommet	1	
11	SL Flues - 1200 mm	2	
12	SL Flue Termination Cowl	1	

PLEASE NOTE:

1. UNIT MUST BE INSTALLED PRIOR TO PLASTERING
2. 2 x 45 degree bends allowed (max 1metre between the bends)
3. 300mm min from firebox top to bottom edge of any timber mantel

