

# HEAT & GLO™

No one builds a better fire



DF FRONT



CAST IRON SURROUND



4 SIDED BLACK



3 SIDED STAINLESS STEEL

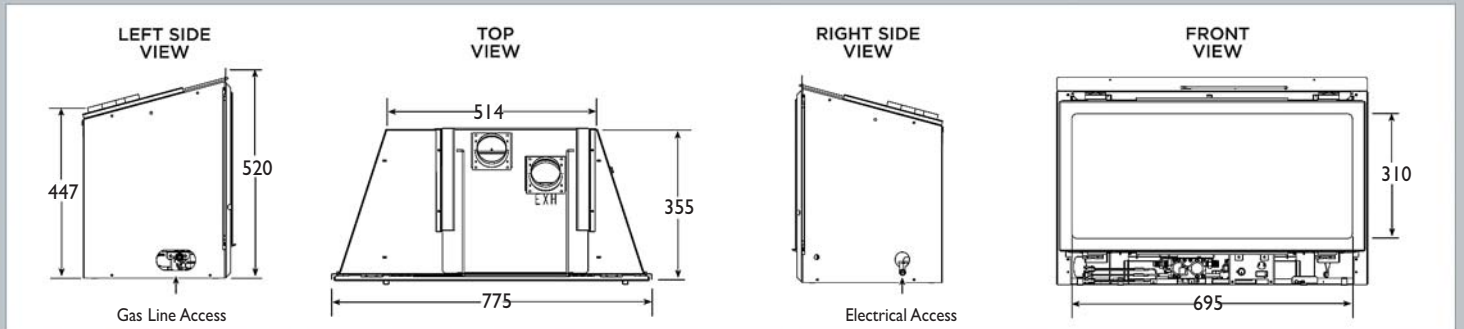


DESIGNED | to inspire

## 130 SERIES BALANCED FLUE GAS INSERT

# SUPREME-I30AU (Logs) & COSMO-I30AU (Glass media or Pebbles) Specifications

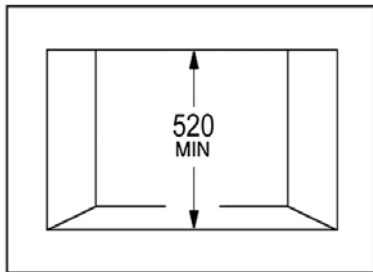
MODEL	FRONT WIDTH		BACK WIDTH		HEIGHT		DEPTH		VIEWING AREA	mj/h (NG)
	UNIT	MIN. FIREBOX OPENING	UNIT	MIN. FIREBOX OPENING	UNIT	MIN. FIREBOX OPENING	UNIT	MIN. FIREBOX OPENING		
SUPREME-I30 COSMO-I30	775	745	514	520	520	485	355	360	695 x 310	31.9 mj/h 26.5 mj/h



Dimensions above are in millimetres and for reference only. We recommend measuring individual units at installation.

Refer to installation manual for detailed specifications on installing this product. Heat & Glo reserves the right to update units periodically. The flame and ember appearance may vary based on the type of fuel burned and the venting configuration used. Photos in this brochure may vary in colour and dimension (size) from the actual product.

## MINIMUM FIREPLACE OPENING REQUIREMENTS



### MINIMUM OPENING WIDTH REQUIRED:

780mm with Standard or Flush Surround

### MINIMUM OPENING HEIGHT REQUIRED:

520mm with Standard or Flush Surround

### MINIMUM DEPTH REQUIRED:

360mm with Standard Surround

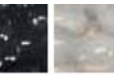
400mm with Flush Surround

## ADDITIONAL OPTIONS: Create a unique focal point in your home with these media options

### SUPREME LOGS



### COSMO MEDIA OPTIONS



Black Glass

Crystal Glass

Cobalt Glass

Amber Glass

Black Glass Beads

White Glass Beads

Ceramic Fibre Stones

## A RANGE OF FLAT TRIM OPTIONS ARE ALSO AVAILABLE FOR THE I30 DF FRONT

- 50mm Black trim for stone or brick only
- Trim for Cast Iron Fascia
- 100mm 3 & 4 sided Black & Stainless Steel
- Custom made 3&4 sided Black & Stainless Steel



100mm 3 sided BLACK trim



100mm 3 sided Stainless Steel trim



100mm 4 sided BLACK trim



100mm 4 sided Stainless Steel trim

## EXTERNAL MEASUREMENTS

- 3 sided (black or stainless steel) 970x610mm
- 4 sided (black or stainless steel) 970x710mm

## INTELLIFIRE PLUS IGNITION SYSTEM AND WIRELESS CONTROLS

The IntelliFire Plus Ignition System is an "intelligent" control system providing energy conservation and the comfort of a roaring fire, all at your fingertips! IntelliFire Plus features intermittent-pilot ignition (IPI) allowing you to conserve fuel and money when the fireplace is not in use. In addition, the system offers seamless transition from AC to battery back-up in a power outage, as well as built-in safety features and memory settings. Lastly, our new IntelliFire Plus remote control provides stylish and fully featured benefits that make controlling your heat easier than ever.

**IntelliFire™ Plus**

### INTELLIFIRE PLUS RC300

Incorporates an LCD screen, intuitive menus and large control buttons in a sleek and modern design. This wireless control gives you the flexibility to use as a remote only or a mount on the wall anywhere in the room.



SUPREME-I30AU with CAST IRON Surround

**MAXIMAL EFFICIENCY RATING** for I30-SUPREME & I30-COSMO is 4.6\*

\*Based on highest thermal ratings for certain flue runs

SUPREME-I30AU & COSMO-I30AU Approval No: GSCS20181

PLEASE CONTACT US AT:

**JETMASTER HEAT & GLO**

444 Swan Street, Richmond

PH: 1300 219 875

EMAIL: info@jetmastervic.com.au WEB: www.jetmastervic.com.au

**HEAT & GLO™**  
No one builds a better fire



JMH&G-APRIL 2015