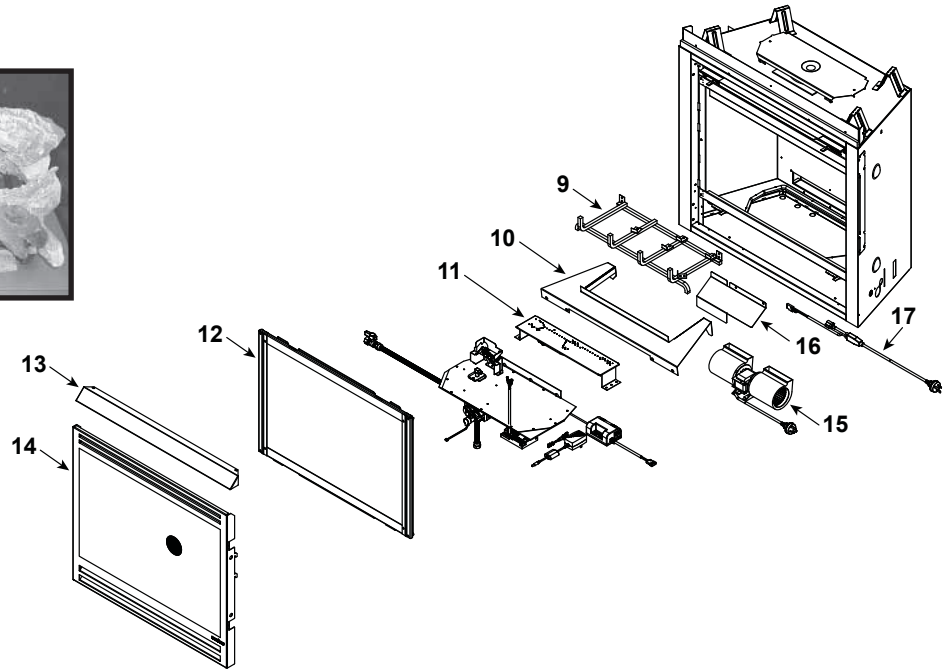
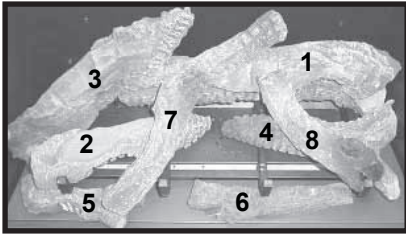


Log Set Assembly



IMPORTANT: THIS IS DATED INFORMATION. Parts must be ordered from a dealer or distributor. **Hearth and Home Technologies does not sell directly to consumers.** Provide model number and serial number when requesting service parts from your dealer or distributor.

ITEM	DESCRIPTION	COMMENTS	PART NUMBER
	Log Set Assembly		LOGS-550TRSAUD
1	Log #1		SRV550-715
2	Log #2		SRV347-703
3	Log #3		SRV349-704
4	Log #4		SRV278-705
5	Log #5		SRV540-704
6	Log #6		SRV550-718
7	Log #7		SRV484-703
8	Log #8		SRV347-701
9	Grate Assembly		2021-007
10	Base Pan		550-117
11	Burner Assembly N		2079-010
	Burner Assembly P		2079-012
	Burner Assembly B		2079-014
12	Glass Assembly		GLA-550TRS
13	Hood, black		SRV550-175
14	Door Assembly		2079-030
15	Blower Assembly 240V		GFK-240V
16	Vanity Panel		2078-182
17	Junction Cord Assembly		2222-037
	Top Louver Assembly		550-251A
	Dress Guard		2079-040
	Lower Door		2079-042

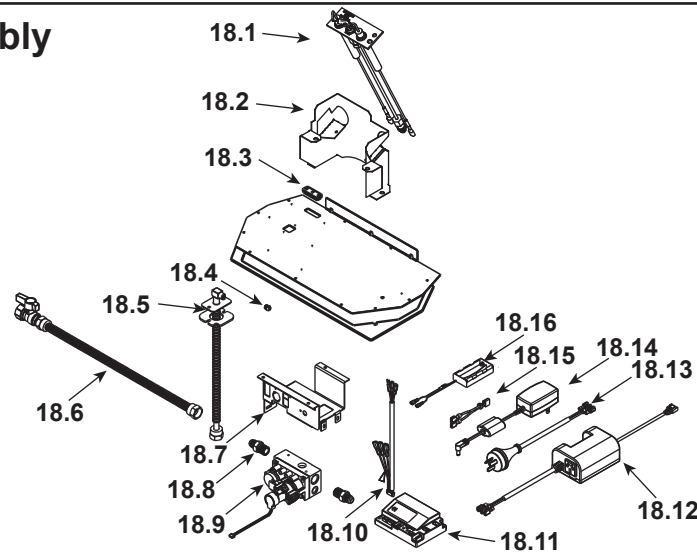
Additional service parts numbers appear on following page.

1/18

No one builds a better fire

Beginning Manufacturing Date: Sept 2010
Ending Manufacturing Date: Active

#18 Valve Assembly



IMPORTANT: THIS IS DATED INFORMATION. Parts must be ordered from a dealer or distributor. **Hearth and Home Technologies does not sell directly to consumers.** Provide model number and serial number when requesting service parts from your dealer or distributor.

ITEM	DESCRIPTION	COMMENTS	PART NUMBER
18.1	***Pilot Assembly N	Pre 0022995989	2198-014
		Post 0022995989	2166-370
	***Pilot Assembly P	Pre 0022995989	2198-015
		Post 0022995989	2166-371
18.2	Pilot Bracket		2079-104
18.3	3 Hole Grommet		2118-420
18.4	Orifice N (#40C)		582-840
	Orifice P (.057)		582-057
	Orifice B (#55C)		582-855
18.5	12 in Flex Tube Assembly		383-302A
18.6	18" Flex Assembly		2098-320A
18.7	Valve Bracket		2118-104A
18.8	Male Connector	Pkg of 5	303-315/5
18.9	Valve N		2166-302
	Valve P		2166-303
18.10	Wire Harness, 8k-1		2166-304
18.11	Module, Gray		2166-306
18.12	AUX300-CE, Pre SN #0023019789 must also order Jumper Wire (2166-375)		2166-340
18.13	Jumper Wire, Fan to Aux		2166-375
18.14	Transformer, Switches DC Regulator		2326-131
18.15	Jumper wire, Positive		2187-198
18.16	Battery Pack**		4067-223

**Fuse for battery pack can be sourced locally, not a warranty item. Specs are 500mA~10A 3/4" long

***If ordering post pilot assembly with a Pre serial number must also order 2079-104 & 2079-204

Additional service parts numbers appear on following page.

