

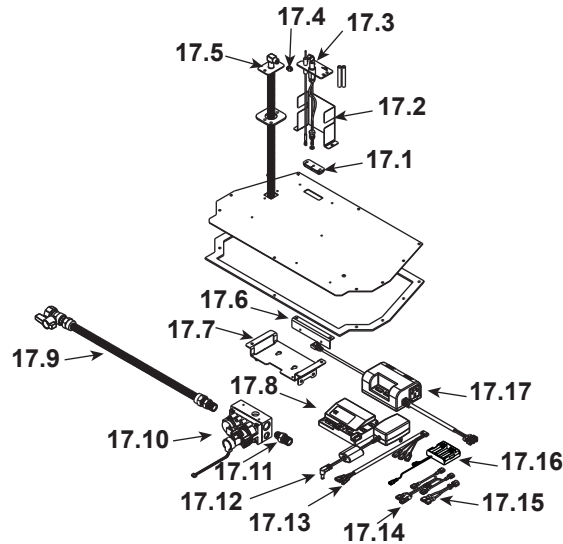
**IMPORTANT: THIS IS DATED INFORMATION.** Parts must be ordered from a dealer or distributor. **Hearth and Home Technologies does not sell directly to consumers.** Provide model number and serial number when requesting service parts from your dealer or distributor.

ITEM	DESCRIPTION	COMMENTS	PART NUMBER
	Log Assembly		LOGS-I30AU
1	Log 1	<b>Pre 5/15/16, Must order complete assembly</b>	SRV2222-701
2	Log 2		SRV2222-705
3	Log 3		SRV2222-702
4	Log 4		SRV2222-704
5	Log 5		SRV2222-703
6	Log 6		SRV2222-706
7	Termination Plate Assembly	Pre 0023696931	2206-012
		Post 0023696931	2206-013
	Flex Pipe Handle		438-351
	Gasket	Pre 0023696931	2206-401
		Post 0023696931	2206-178
8	Burner Assembly		2206-009
9	Base Pan		2206-106
10	Grate Assembly		2206-016
11	Glass Door Assembly		GLA-2206
12	Control Panel		2222-129
13	Junction Cord Assembly		2222-374
14	Blower Assembly		GFK210-240V
15	Jumper Plug Fan to AUX		2222-068
16	Fuse Wire Harness	Qty 2 req	2166-341

Additional service part numbers appear on following page.

5/17

## #17 Valve Assembly



**IMPORTANT: THIS IS DATED INFORMATION.** Parts must be ordered from a dealer or distributor. **Hearth and Home Technologies does not sell directly to consumers.** Provide model number and serial number when requesting service parts from your dealer or distributor.

ITEM	DESCRIPTION	COMMENTS	PART NUMBER
17.1	3-Hole Grommet		2118-420
17.2	Pilot Bracket	Pre 0022995989	2206-105
		Post 0022995989	2206-120
17.3	***Pilot Assembly N	Pre 0022995989	2198-014
		Post 0022995989	2202-013
	***Pilot Assembly P	Pre 0022995989	2198-015
		Post 0022995989	2202-014
17.4	Orifice N (#36C)		582-836
	Orifice P (#52C)		582-852
17.5	18" Flex Tube Assembly		530-302A
17.6	Control Panel Bracket		2205-128
17.7	Valve Bracket		2205-146
17.8	Module		2166-306
17.9	Flex Ball Valve Assembly		2098-320A
17.10	Valve N		2166-302
	Valve P		2166-303
17.11	Brass Connector	Pkg of 5	303-315/5
17.12	Power Supply Adapter		2326-131
17.13	Wire Harness		2166-304
17.14	Jumper Wire, Remote		2103-013
17.15	Jumper Wire		2187-198
17.16	Battery Pack**		2166-323
17.17	AUX300-CE, Pre SN #0023019789 must also order Jumper Wire (2166-375)		2166-340

\*\*Fuse for battery pack can be sourced locally, not a warranty item.

\*\*\*If ordering post pilot assembly with a Pre serial number must also order 2206-120

Additional service part numbers appear on following page.



No one builds a better fire

**Service Parts SUPREME-N-I30AU, SUPREME-P-I30AU**

Beginning Manufacturing Date: Feb 2011  
Ending Manufacturing Date: Active

IMPORTANT: THIS IS DATED INFORMATION. Parts must be ordered from a dealer or distributor. **Hearth and Home Technologies does not sell directly to consumers.** Provide model number and serial number when requesting service parts from your dealer or distributor.

ITEM	DESCRIPTION	COMMENTS	PART NUMBER
	EMC Filter		2201-198
	Gasket Assembly Includes Air Passage, Valve Plate, Exhaust Bottom, Exhaust Top, and Burner Neck Gaskets		2206-081
	Glass Clip Support Assembly, Bottom	Qty 2 req	2155-045
	Glass Latch Assembly, Top	Qty 2 req	339-121A
	Lava Rock		4021-296
	Mineral Wool		050-721
	Refractory Kit (Sold as Set Only)		BRICK-SI30
	Remote		REM300-HNG-AU
	Component Bag		2166-036
	Touch up Paint		TUP-GBK-12
	Conversion Kit N		P2N-I30AU
	Conversion Kit P		N2P-I30AU
	Pilot Orifice N	Pre SN #0022998773	2098-518
		Post SN #002298773	593-528
	Pilot Orifice P	Pre SN #0022998773	2098-512
		Post SN #002298773	593-527
	Regulator N		NGK-DXV-50
	Regulator P		LPK-DXV-50