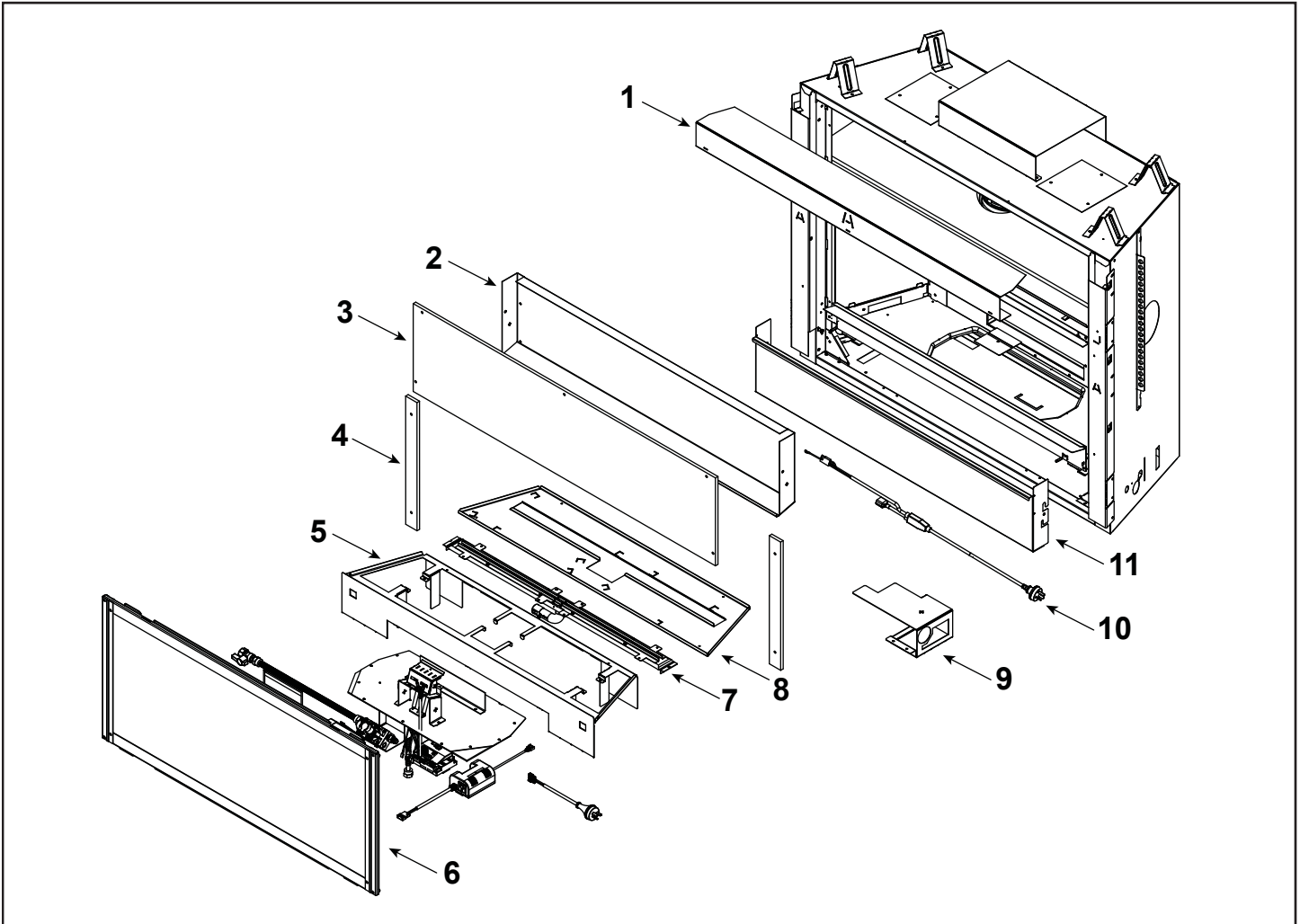


XLR-PLUS-N-AUB - Active

XLR-PLUS-PB-AUB - End Manufacturing Date: July 2017



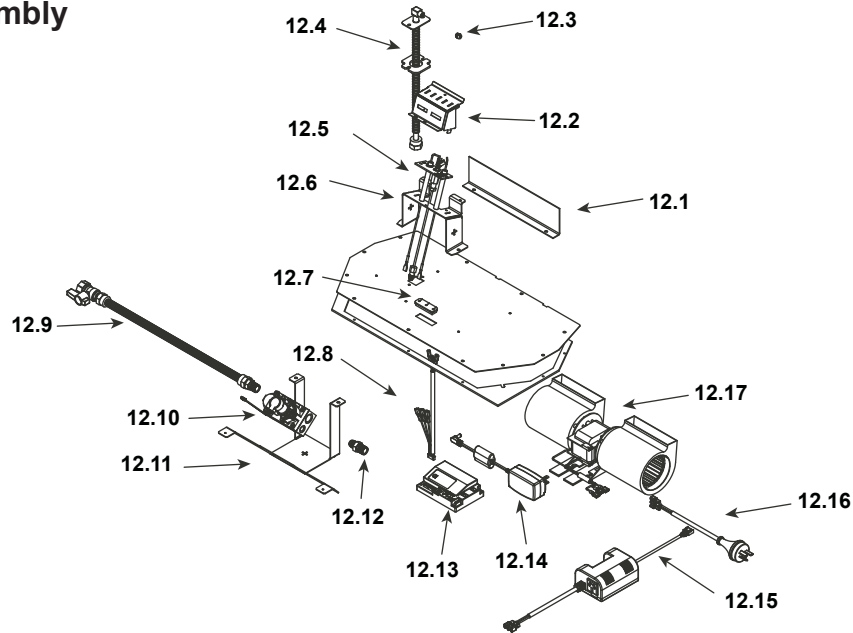
IMPORTANT: THIS IS DATED INFORMATION. Parts must be ordered from a dealer or distributor. **Hearth and Home Technologies does not sell directly to consumers.** Provide model number and serial number when requesting service parts from your dealer or distributor.

ITEM	DESCRIPTION	COMMENTS	PART NUMBER
1	Sheet Rock Ledge, 10 mm		2198-147
2	Top Panel Finishing Edge		2335-102
3	Non Combustible Board, Top, 10 mm		2335-410
4	Non Combustible Board, Side, 10 mm	Qty 2 req	2335-411
5	Base Pan		2264-117
6	Glass Door Assembly		GLA-XLR-PLUS
7	Burner N		2264-007
	Burner P & B		2264-008
8	Media Tray		2264-118
9	Bracket, J-Box		2264-154
10	Junction Cord		2222-037
11	Lower Cover Panel		2264-103

Additional service part numbers appear on following page.

5/17

#12 Valve Assembly



IMPORTANT: THIS IS DATED INFORMATION. Parts must be ordered from a dealer or distributor. **Hearth and Home Technologies does not sell directly to consumers.** Provide model number and serial number when requesting service parts from your dealer or distributor.

ITEM	DESCRIPTION	COMMENTS	PART NUMBER
12.1	Bracket		2143-143
12.2	Pilot Shield		2184-123
12.3	Orifice N (#42C)		582-842
	Orifice B (#55C)		582-855
	Orifice P (.057C)		582-057
12.4	Bulkhead W/Flex Tube		383-302A
12.5	Pilot Assembly N		2208-012
	Pilot Assembly P & B		2208-013
12.6	Pilot Bracket		2264-174
12.7	3-Hole Grommet		2118-420
12.8	Module Wire Assembly		2166-304
12.9	Flex Ball Valve Assembly		302-320A
12.10	Valve N		2166-302
	Valve P & B		2166-303
12.11	Valve Bracket		2264-153
12.12	Male Connector	Pkg of 5	303-315/5
12.13	Module, Gray		2166-306
12.14	DC Regulator		2326-131
12.15	AUX300-CE, Pre SN #0023019789 must also order Jumper Wire (2166-375)		2166-340
12.16	Jumper Wire		2166-375
12.17	Fan Kit		GFK-240V

Additional service part numbers appear on following page.

IMPORTANT: THIS IS DATED INFORMATION. Parts must be ordered from a dealer or distributor. **Hearth and Home Technologies does not sell directly to consumers.** Provide model number and serial number when requesting service parts from your dealer or distributor.

ITEM	DESCRIPTION	COMMENTS	PART NUMBER
	Battery Pack		4067-223
	Cover Plate , Heat-Zone	Qty 2 req	2198-104
	Elbow Heat Shield		2143-168
	Gasket Assembly		2113-080
	Contains burner neck, shutter bracket, vent, seal cap, valve plate, and air passage gaskets		
	Glass Bracket Left		2264-124
	Glass Bracket Right		2264-125
	Glass Latch Assembly , Lower	Qty 2 req	2264-017
	Glass Latch Assembly , Top	Pkg of 2	33858/2
	Glass Lip Shield, Tonic		2264-126
	Heat Shield Assembly		2264-016
	Nailing Tabs, 10 mm	Qty 2 req	2335-133
	Rock Jig		2195-124
	Top Trap, Outer		2198-103
	Touch Up Paint		TUP-GBK-12
	Wall Switch Kit		WSK-21-W
	Conversion Kit N		PB2N-XLR-PLUS
	Conversion Kit B		P2B-XLR-PLUS
	Conversion Kit P		N2PB-XLR-PLUS
	Pilot Orifice N		593-528
	Pilot Orifice B		593-529
	Pilot Orifice P		593-527
	Regulator N		NGK-DXV-50
	Regulator P & B		LPK-DXV-50