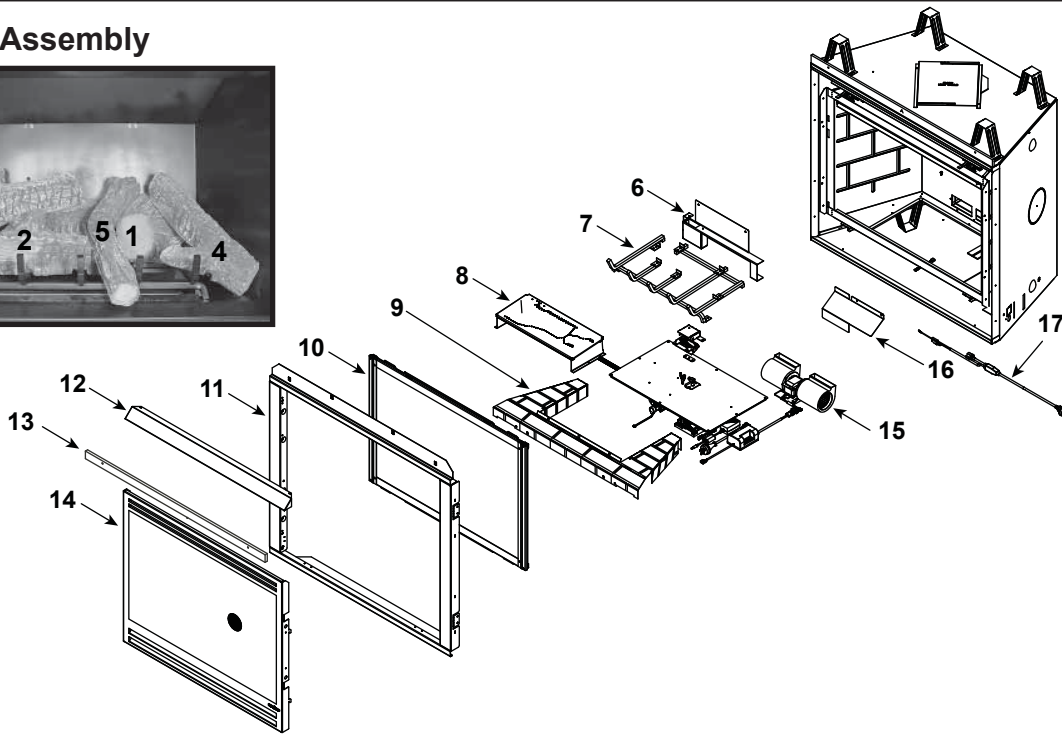
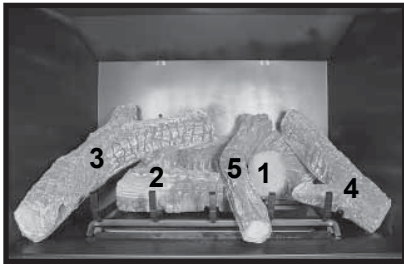


Log Set Assembly



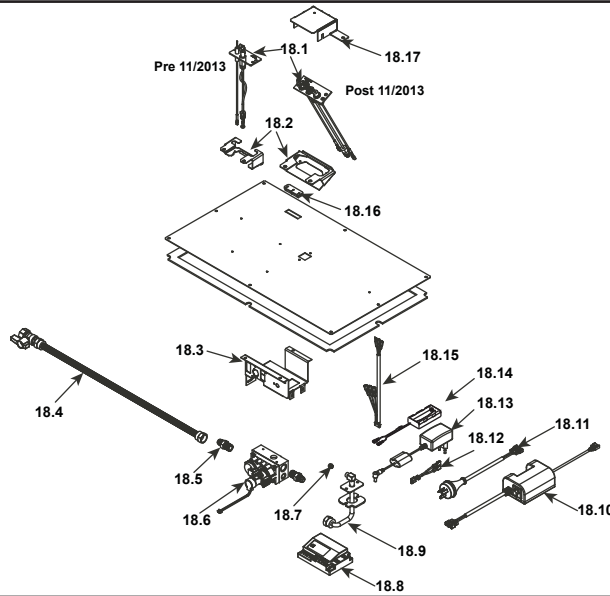
IMPORTANT: THIS IS DATED INFORMATION. Parts must be ordered from a dealer or distributor. **Hearth and Home Technologies does not sell directly to consumers.** Provide model number and serial number when requesting service parts from your dealer or distributor.

ITEM	DESCRIPTION	COMMENTS	PART NUMBER
	Log Set Assembly		LOGS-6TRSCE
1	Log #1	Pre 5/15/16, Must order complete assembly	SRV2049-700
2	Log #2		SRV2049-701
3	Log #3		SRV385-721
4	Log #4		SRV385-722
5	Log #5		SRV385-723
6	Air Guide		SRV2078-107
7	Grate Assembly		2049-020
8	Burner Assembly		SRV2078-012
9	Base Refractory		SRV2078-110
10	Glass Assembly		GLA-6GLX
11	Surround Assembly		2166-019
12	Hood, Black		SRV60-143-BK
13	Insulation Board		SRV385-403
14	Door Assembly		2078-070
15	Blower 240Volt Assembly		GFK-240V
16	Vanity Panel		2078-182
17	Junction Cord Assembly		2222-374
	Top Louver Assembly		392-182A
	Lower Door Assembly		2078-042
	Dress Guard		2078-040

No one builds a better fire

Beginning Manufacturing Date: Sept 2010
Ending Manufacturing Date: April 2018

#18 Valve Assembly



IMPORTANT: THIS IS DATED INFORMATION. Parts must be ordered from a dealer or distributor. **Hearth and Home Technologies does not sell directly to consumers.** Provide model number and serial number when requesting service parts from your dealer or distributor.

ITEM	DESCRIPTION	COMMENTS	PART NUMBER
18.1	Pilot Assembly N	Pre 0023744879	2198-014
		Post 0023744879	2166-370
	Pilot Assembly P	Pre 0023744879	2198-015
		Post 0023744879	2166-371
18.2	Pilot Bracket	Pre 0023744879	2078-108
		Post 0023744879	SRV2049-135
18.3	Valve Bracket		2118-104A
18.4	Flex Assembly, 24 in		2098-034
18.5	Male Connector	Pkg of 5	303-315/5
18.6	Valve N		2166-302
	Valve P		2166-303
18.7	Orifice N (#32C)		SRV582-832
	Orifice P (#51C)		SRV582-851
	Orifice ULPG (#52C)		SRV582-852
18.8	Module, Gray		2166-306
18.9	12" Flex Tube Assembly		383-302A
18.10	AUX300-CE, Pre SN #0023019789 must also order Jumper Wire (2166-375)		2166-340
18.11	Jumper Wire, (Fan to Aux))		2166-375
18.12	Jumper Wire		SRV2187-198
18.13	DC Switching Adaptor		SRV2326-131
18.14	Battery Pack**		4067-223
18.15	Wire Harness, 8K-1		2166-304
18.16	3 Hole Grommet		SRV2118-420
18.17	Deflector, Pilot Air		SRV2078-150

**Fuse for battery pack can be sourced locally, not a warranty item. Specs are 500mA~10A 3/4" long

Additional service part numbers appear on following page.

