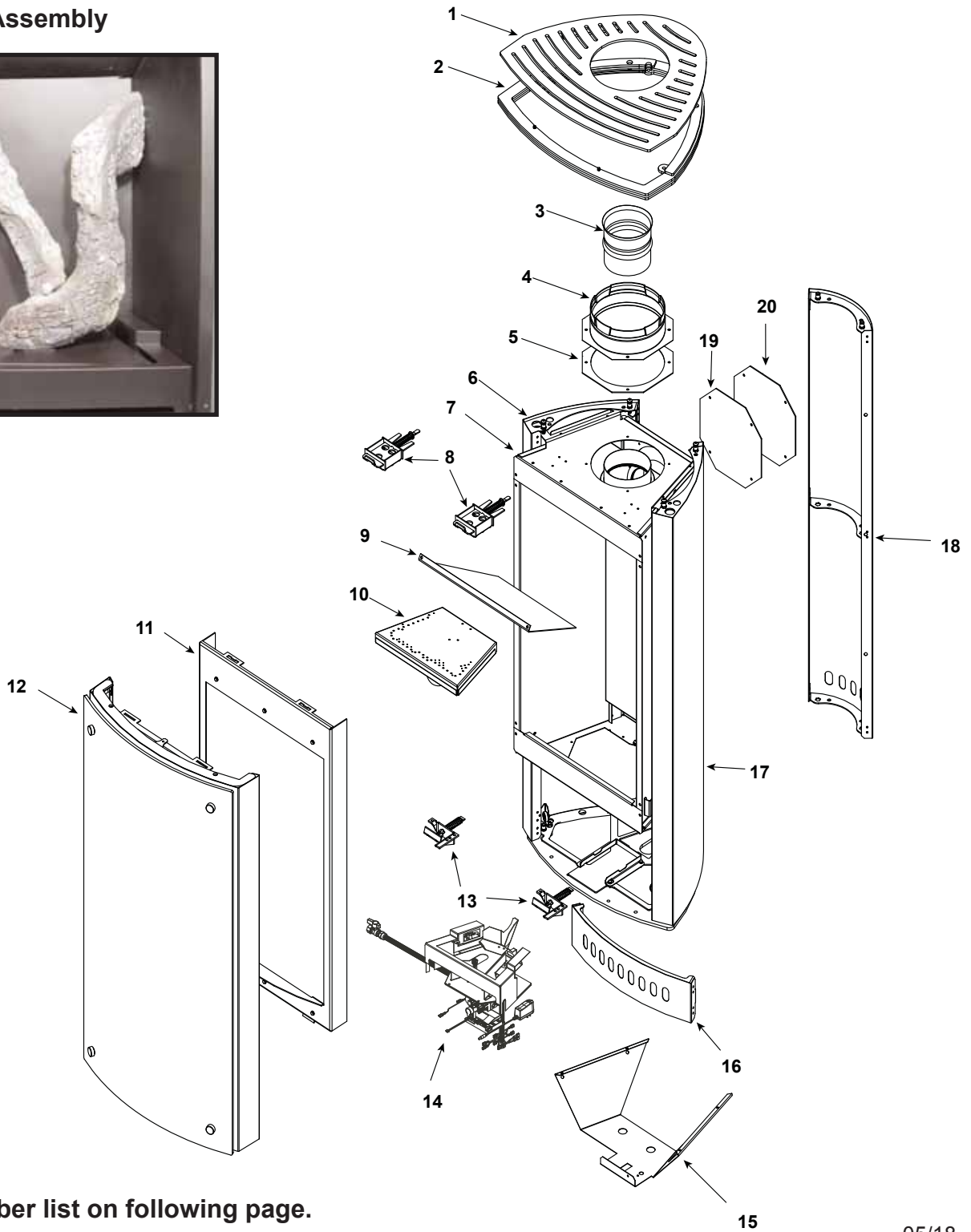


VRT-BK-N-AUB Beginning Manufacturing Date: Sept 2014

VRT-GY-N-AUB, VRT-BZ-N-AUB: (Ending Manufacturing Date: April 2017)

VRT-GY-P-AUB, VRT-BZ-P-AUB (Ending Manufacturing Date: May 2012)

Log Set Assembly



Part number list on following page.



No one builds a better fire

Beginning Manufacturing Date: Mar 2011
Ending Manufacturing Date: Active

IMPORTANT: THIS IS DATED INFORMATION. Parts must be ordered from a dealer or distributor. **Hearth and Home Technologies does not sell directly to consumers.** Provide model number and serial number when requesting service parts from your dealer or distributor.

ITEM	DESCRIPTION	COMMENTS	PART NUMBER
	Log Set Assembly		7031-033
1	Removable Top Assembly Top Vent	Gray	2123-012
		Black	2123-012-BK
	Removable Top Assembly Rear Vent	Gray	2123-025
		Black	2123-025-BK
2	Top Assembly	Gray	7031-013
		Black	7031-013-BK
3	Adapter 4 inch flue collar		SLP-SA
4	DV Starting Collar		2189-002
5	Adapter Gasket		460-0610
6	Side Assembly Left	Gray	2123-027
		Black	2123-027-BK
7	Firebox Assembly		2123-004
8	Latch Assembly Upper		7003-006
9	Heat Shield		2123-120
10	Burner N		2123-017
	Burner P		2123-022
11	Glass Frame Assembly		2123-005
12	Front Door Assembly	Bronze	2123-028
		Gray	2123-016
		Black	2123-028-BK
13	Latch Assembly Lower	Pkg of 2	33858/2
14	Valve Assembly		Refer to valve page
15	Air Deflector		2189-112
16	Access Door Assembly	Gray	7031-023
		Black	7031-023-BK
17	Side Assembly Right	Gray	2123-026
		Black	2123-026-BK
18	Back Panel Assembly Top Vent	Gray	7031-021
		Black	7031-021-BK
	Back Panel Assembly Rear Vent	Gray	7031-022
		Black	7031-022-BK
19	Cover Plate Gasket		7010-160
20	Cover Plate		2189-111
	Cap and Barrel	Gray	2123-019
		Black	2143-030

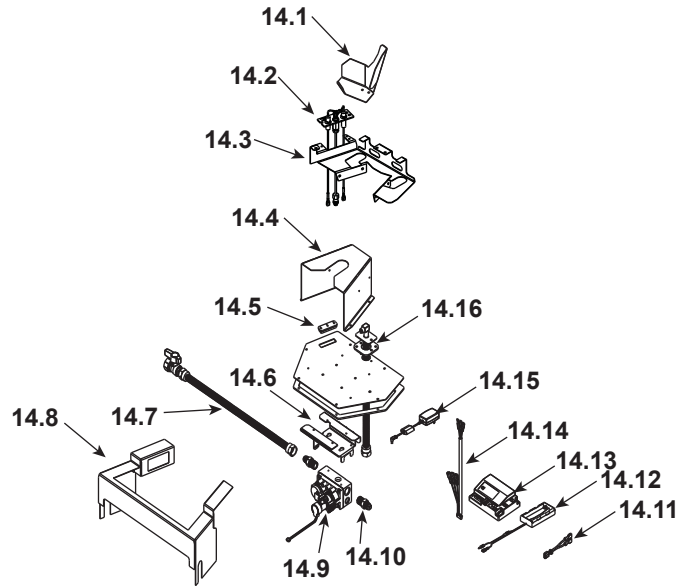
Additional service part numbers appear on following page.

No one builds a better fire

Beginning Manufacturing Date: Mar 2011

Ending Manufacturing Date: Active

#14 Valve Assembly



IMPORTANT: THIS IS DATED INFORMATION. Parts must be ordered from a dealer or distributor. **Hearth and Home Technologies does not sell directly to consumers.** Provide model number and serial number when requesting service parts from your dealer or distributor.

ITEM	DESCRIPTION	COMMENTS	PART NUMBER
14	Valve Plate Assembly N		2123-008
	Valve Plate Assembly P		2123-009
14.1	Log Bracket		7031-282
14.2	Pilot Assembly N	Pre T0021039	2198-014
		Post 0081250001	2090-012
	Pilot Assembly P	Pre T0021039	2198-015
		Post 0081250001	2098-013
14.3	Pilot Bracket		2123-140
14.4	Burner Support		7031-279
14.5	3-Hole Grommet		SRV2118-420
14.6	Valve Bracket		SRV2189-117
14.7	Flex Ball Valve Assembly, 24"		3-40-2098034
14.8	Burner Shelf		2123-126
14.9	Valve N		2166-302
	Valve P		2166-303
14.10	Male Connector	Pkg of 5	303-315/5
14.11	Jumper Wire		SRV2187-198
14.12	Battery Pack**		4067-223
14.13	Module, Gray		2166-306
14.14	Wire Harness		2166-304
14.15	Transformer, 6 Volt, Wall		SRV2326-131
14.16	Flex gas Connector		303-320A
	Orifice N (#41C)		582-841
	Orifice P (#54C)		SRV582-854

**Fuse for battery pack can be sourced locally, not a warranty item. Specs are 500mA~10A 3/4" long



No one builds a better fire

Beginning Manufacturing Date: Mar 2011
Ending Manufacturing Date: Active

IMPORTANT: THIS IS DATED INFORMATION. Parts must be ordered from a dealer or distributor. **Hearth and Home Technologies does not sell directly to consumers.** Provide model number and serial number when requesting service parts from your dealer or distributor.

ITEM	DESCRIPTION	COMMENTS	PART NUMBER
	AUX300 CE		2166-340
	Blower, 240V		GFK-240V
	Blower Bracket		7031-194
	Front Glass	Gray	PAL-GLS-GY
		Bronze	PAL-GLS-BZ
	Flue Restrictor Plate		2123-121
	Magnet Bracket Assembly		7031-028
	Power Cord-240V		2222-374
	RC300AU Remote		REM300-HNG-AU
	Top Vent Conversion Kit		VRT-TR-AU
		Black	VRT-TR-BK
	Conversion Kit (N to P)		N2P-VRT-AUB
	Conversion Kit (P to N)		P2N-VRT-AUB
	Pilot Orifice N	Pre T0021039	2098-520
		Post T0021039	SRV593-528
	Pilot Orifice P	Pre T0021039	SRV2098-512
		Post T0021039	SRV593-527