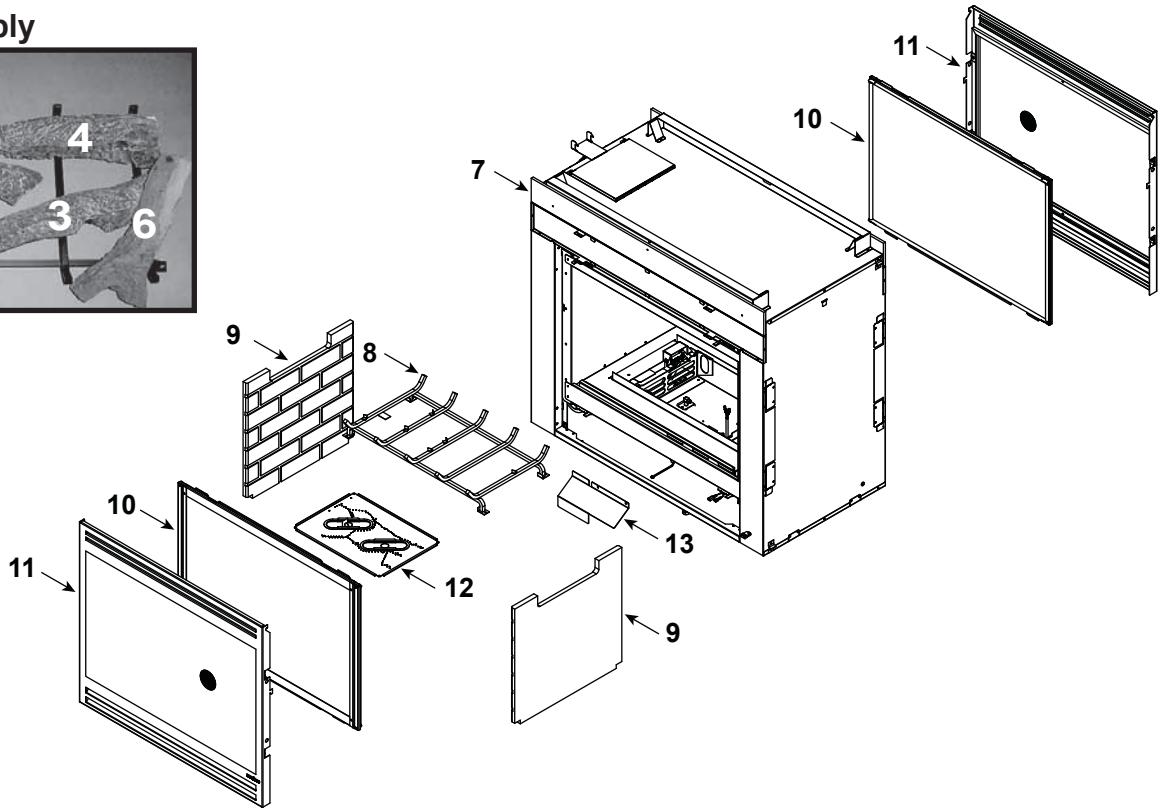
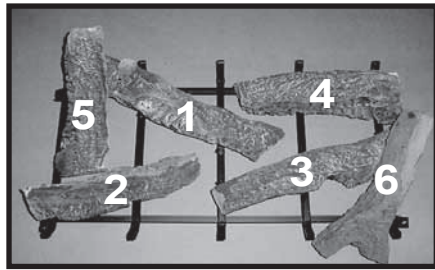


Log Set Assembly



IMPORTANT: THIS IS DATED INFORMATION. Parts must be ordered from a dealer or distributor. **Hearth and Home Technologies does not sell directly to consumers.** Provide model number and serial number when requesting service parts from your dealer or distributor.

ITEM	DESCRIPTION	COMMENTS	PART NUMBER
	Log Set Assembly		LOGS-ST-CE
1	Log #1	Pre 5/15/16, Must order complete assembly	SRV2068-700
2	Log #2		SRV2068-701
3	Log #3		SRV2068-702
4	Log #4		SRV2068-703
5	Log #5		SRV2068-703
6	Log #6		SRV582-705
7	Insulation Board		2005-272
8	Grate		2068-020
9	Side Refractory	Qty 2 req	SRV2005-730
10	Glass Door Assembly	Qty 2 req	GLA-6TRXI
11	Door Assembly	Qty 2 req	2082-070
12	Burner Assembly N		SRV2082-014
	Burner Assembly Propane		SRV2082-015
13	Vanity Panel		SRV2078-182-BK
	Lower Door		2082-042
	Dress Guard		2068-040

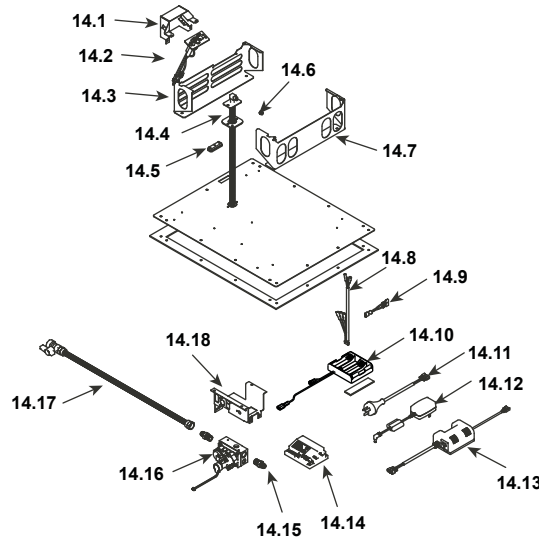
Additional service part numbers appear on following page.

7/18

No one builds a better fire

Beginning Manufacturing Date: Mar 2011
Ending Manufacturing Date: Active

#14 Valve Assembly



IMPORTANT: THIS IS DATED INFORMATION. Parts must be ordered from a dealer or distributor. **Hearth and Home Technologies does not sell directly to consumers.** Provide model number and serial number when requesting service parts from your dealer or distributor.

ITEM	DESCRIPTION	COMMENTS	PART NUMBER
14.1	Pilot Bracket		2082-118
14.2	Pilot Assembly N, 24"		2166-370
	Pilot Assembly Propane, 24"		2166-371
Pre SN #0022998833 Must order both pilot assembly and pilot bracket			
14.3	Burner Support	Pre 0022998833	2082-112
		Post 0022998833	2082-212
14.4	Flexible Gas Connector		530-302A
14.5	3-Hole Grommet		SRV2118-420
14.6	Orifice N (#30C)		582-830
	Orifice Propane (#49C)		SRV582-849
14.7	Burner Leg	Pre 0022998833	2082-113
		Post 0022998833	2082-213
14.8	Wire Harness		2166-304
14.9	Jumper Wire		SRV2187-198
14.10	Battery Pack**		SRV2166-323
14.11	Jumper to Fan		2166-375
14.12	Transformer		SRV2326-131
14.13	Aux 300 CE, Pre Sn # 0023019789 must also order Jumper Wire (2222-375)		2166-340
14.14	Module, Gray		2166-306
14.15	Male Connector	Pkg of 5	303-315/5
14.16	Valve N		2166-302
	Valve Propane		2166-303
14.17	Gas Shutoff Assembly		2098-034
14.18	Valve Bracket		2118-104A

**Fuse for battery pack can be sourced locally, not a warranty item.

Additional service part numbers appear on following page.

