

## Surround / Front: DF-I30XAU-BK, MI30-4027DF-BK Installation Instructions



Leave this manual with party responsible for use and operation.

**CAUTION! Risk of Cuts, Abrasions or Flying Debris.**  
Wear protective gloves and safety glasses during installation. Sheet metal edges are sharp.

# DANGER



**HOT GLASS WILL  
CAUSE BURNS.**

**DO NOT TOUCH GLASS  
UNTIL COOLED.**

**NEVER ALLOW CHILDREN  
TO TOUCH GLASS.**

A barrier designed to reduce the risk of burns from the hot viewing glass is provided with this appliance and shall be installed for the protection of children and other at-risk individuals.

- CAREFULLY SUPERVISE children in same room as fireplace.
- Alert children and adults to hazards of high temperatures.

**High temperatures may ignite clothing or other flammable materials.**

- Keep clothing, furniture, draperies and other flammable materials away.
- Do NOT operate with protective barriers open or removed.
- The decorative front must remain closed if children will be present during the operation of the fireplace.
- The decorative front may be made operable per these instructions. This may be done only upon request of a person responsible for the use and operation of the fireplace.
- The decorative front can be returned to the locked position following these instructions.

### INTRODUCTION

The surround is used to fill the space between the insert and the solid fuel firebox opening. The front is placed onto the surround after it is attached to the insert. The surround is required.

**WARNING! Risk of Fire! Combustible materials MUST NOT overlap or be placed under a surround.**

### Combustible Materials Specification

Materials made of or surfaced with wood, compressed paper, plant fibers, plastics, or other material that can ignite and burn, whether flame proofed or not, or plastered or unplastered shall be considered combustible materials.

### SURROUND & FRONT INSTALLATION

1. Remove and discard the shipping bracket from the surround. See Figure 2.
2. Locate the coiled rocker switch wires on the insert. The wire assembly is zip-tied to the right side of the appliance outer wrap.
3. Run the low voltage rocker switch wires behind the surround. Connect the low voltage wires to the rocker switch. See Figure 1.
4. Attach surround to the insert with four screws (located in appliance manual bag). See Figure 2.

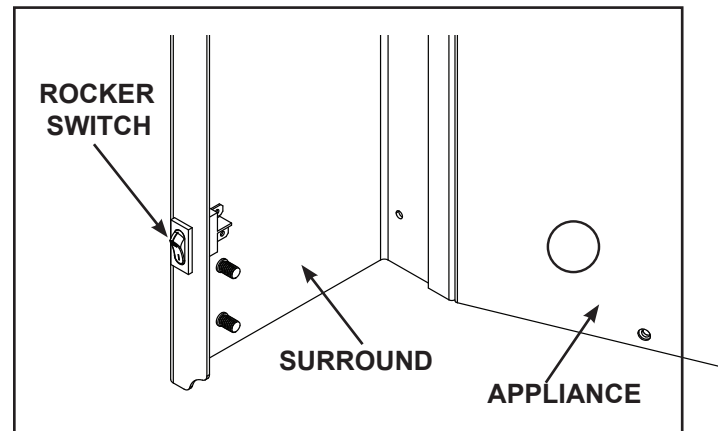


Figure 1 Rocker Switch Detail

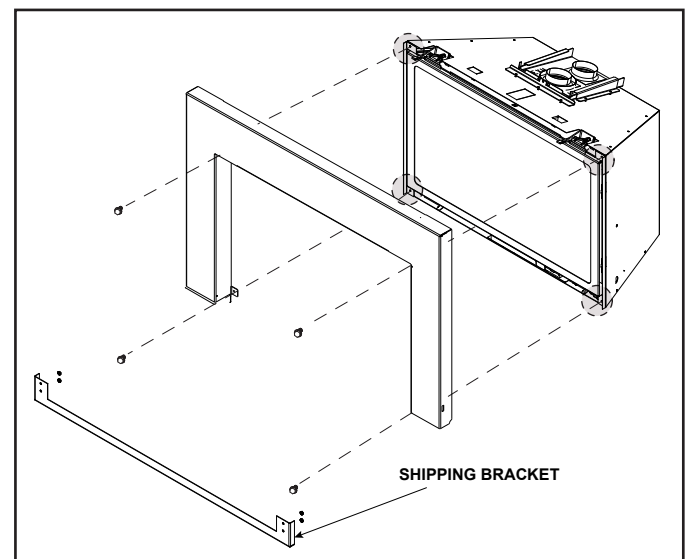


Figure 2. Attach Surround

5. Install the front.

Locate four hanging slots on the appliance. Engage four J-hooks with hanging slots. Carefully, pull the front forward to verify proper engagement.

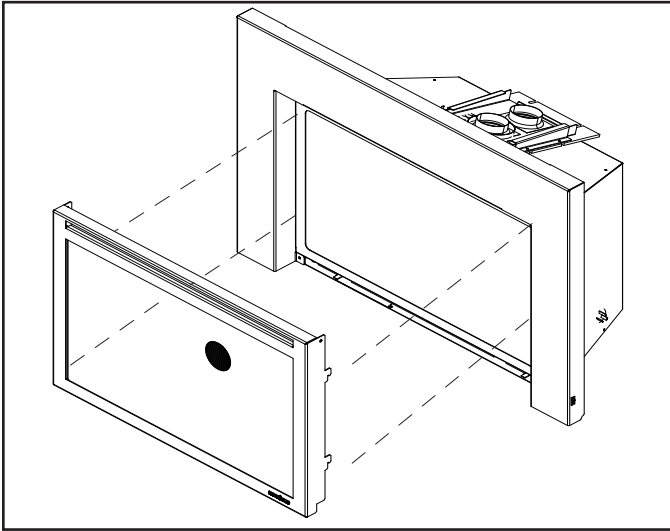


Figure 3. Install Front

6. Ensure there is a 1/2 in. (13 mm) gap underneath the front. See Figure 4. Components will overheat if the gap is not maintained.

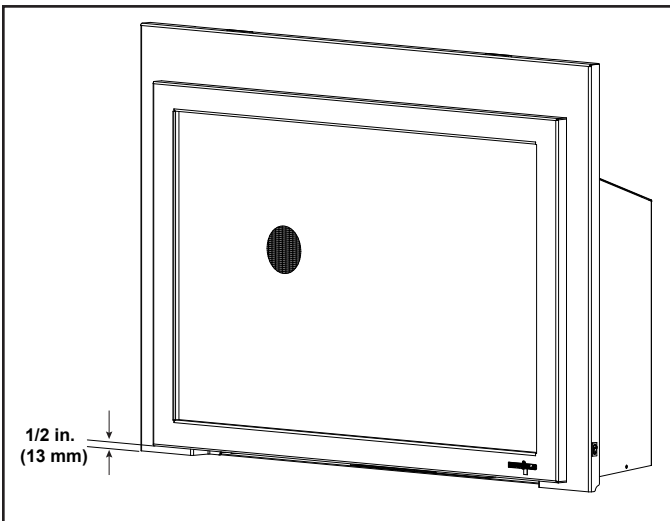


Figure 4. Minimum Required 1/2 in. (13 mm) Gap to Bottom of Front

### Cleaning Instructions for Fronts/Surrounds

Use a microfiber cloth and Windex® Original Glass Cleaner or 03M003 Stove Bright® Glass Cleaner to clean the fronts/surround immediately after installation to remove acids deposited by the installer or technician. Spray the cleaner onto the microfiber cloth and carefully wipe the entire surface. The front/surround should be cleaned in this manner annually by the homeowner to remove fingerprints or other contaminants. Once oxidation of the paint pigment has occurred, cleaning will not restore the original color.

### Service Part List

| SURROUNDS      | DESCRIPTION   | PART NUMBER |
|----------------|---------------|-------------|
| MI30-4027DF-BK | ROCKER SWITCH | SRV2206-299 |

| FRONTS       | DESCRIPTION | PART NUMBER |
|--------------|-------------|-------------|
| DF-I30XAU-BK | MESH        | 2532-029    |

Hearth & Home Technologies  
7571 215th Street West, Lakeville, MN 55044  
www.hearthnhome.com

Please contact your Hearth & Home Technologies dealer with any questions or concerns. For the location of your nearest Hearth & Home Technologies dealer, please visit [www.hearthnhome.com](http://www.hearthnhome.com).