

## Service Parts List

DECORATIVE FRONTS	DESCRIPTION	PART NUMBER
CFT-42-SS	MESH ASSEMBLY	SRV2491-191
CFT-42-PT	MESH ASSEMBLY	SRV2491-191
CFT-42-NB	MESH ASSEMBLY	SRV2491-191
CFT-42-GY	MESH ASSEMBLY	SRV2491-191
CFT-42-GT	MESH ASSEMBLY	SRV2491-191
CFT-42-EB	MESH ASSEMBLY	SRV2491-191
CFT-42-BZ	MESH ASSEMBLY	SRV2491-191
CFT-42-BK	MESH ASSEMBLY	SRV2491-191
CFT-32-PT	MESH ASSEMBLY	SRV2492-191
CFT-32-PT	MESH ASSEMBLY	SRV2492-191
CFT-32-NB	MESH ASSEMBLY	SRV2492-191
CFT-32-GY	MESH ASSEMBLY	SRV2492-191
CFT-32-GT	MESH ASSEMBLY	SRV2492-191
CFT-32-BZ	MESH ASSEMBLY	SRV2492-191
CFT-32-BK	MESH ASSEMBLY	SRV2492-191

## Cleaning Instructions for Decorative fronts

Use a microfiber cloth and Windex® Original Glass Cleaner or 03M003 Stove Bright® Glass Cleaner to clean the decorative front immediately after installation to remove acids deposited by the installer or technician. Spray the cleaner onto the microfiber cloth and carefully wipe the entire surface. The decorative front should be cleaned in this manner annually by the homeowner to remove fingerprints or other contaminants. Once oxidation of the paint pigment has occurred, cleaning will not restore the original color.

Please contact your Hearth & Home Technologies dealer with any questions or concerns.

For the location of your nearest  
Hearth & Home Technologies dealer,  
please visit [www.hearthnhome.com](http://www.hearthnhome.com).

Hearth & Home Technologies  
7571 215th Street West, Lakeville, MN 55044  
[www.hearthnhome.com](http://www.hearthnhome.com)

## Installation of CFT Decorative Front Without Outer Decorative Front Trim

**NOTICE:** All stainless steel (-SS) fronts are shipped with a protective film over the stainless steel surface. This film must be removed carefully prior to installation. Avoid bending front or outer decorative front trim when removing film.

1. Locate the mounting tabs on the two auxiliary hanging brackets. The mounting tabs are shipped unbent. Use a pliers to bend the tabs to 90 degrees as shown in Figure 8.

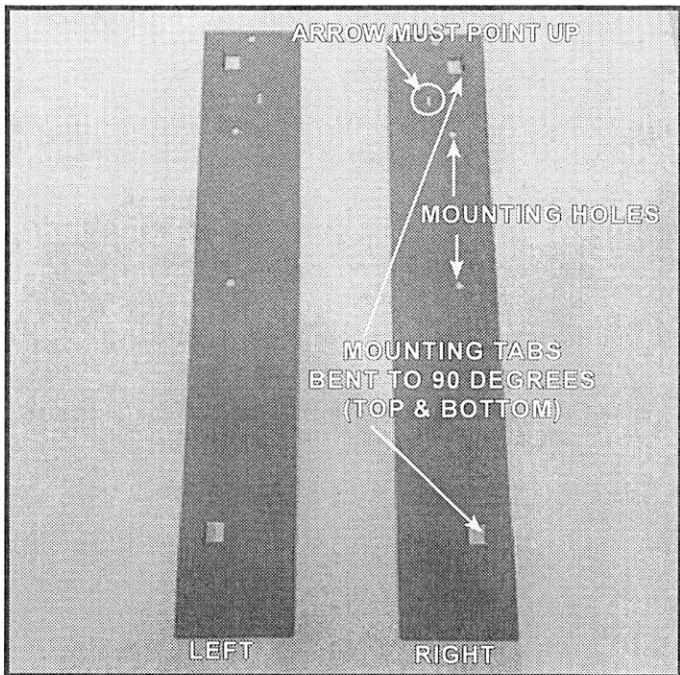


Figure 8. Bend Tabs on Auxiliary Hanging Brackets

2. Install the left auxiliary hanging bracket by positioning the arrow upward. Install a hex screw in each mounting hole. See Figure 9. Repeat for right auxiliary hanging bracket.

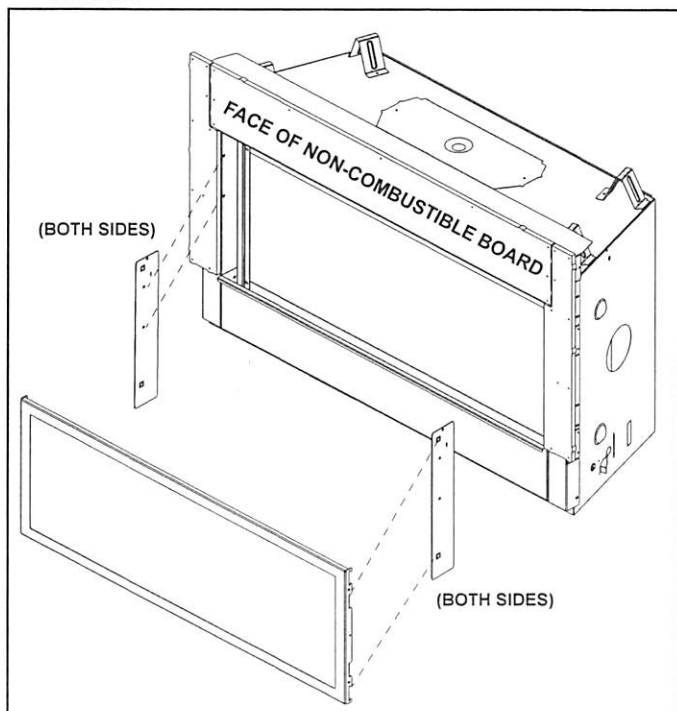


Figure 9. Install Auxiliary Hanging Brackets

3. Install the decorative front assembly by hanging it from the four tabs located on the auxiliary brackets. There are two tabs on the left side and two tabs on the right side. See Figure 9 and Figure 10.

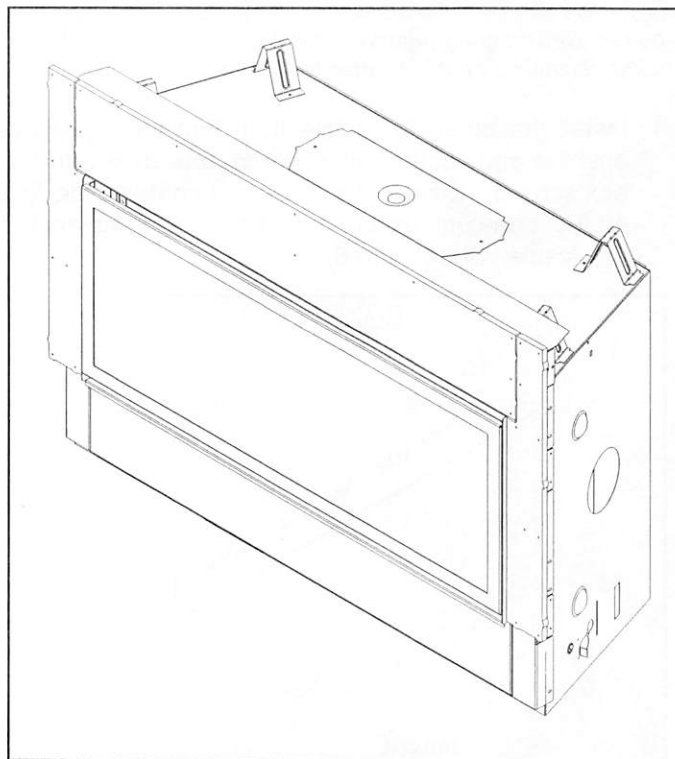


Figure 10. CFT Decorative Front Installed Without Outer Decorative Front Trim

## Installation of CFT Decorative Front With Outer Decorative Front Trim

**NOTICE:** All stainless steel (-SS) fronts are shipped with a protective film over the stainless steel surface. This film must be removed carefully prior to installation. Avoid bending front or outer decorative front trim when removing film.

1. Install the outer decorative front trim into appliance opening and secure outer trim to appliance with four hex screws. Ensure the outer trim contacts the face of the non-combustible board or finish material, if applicable. See Figure 6.

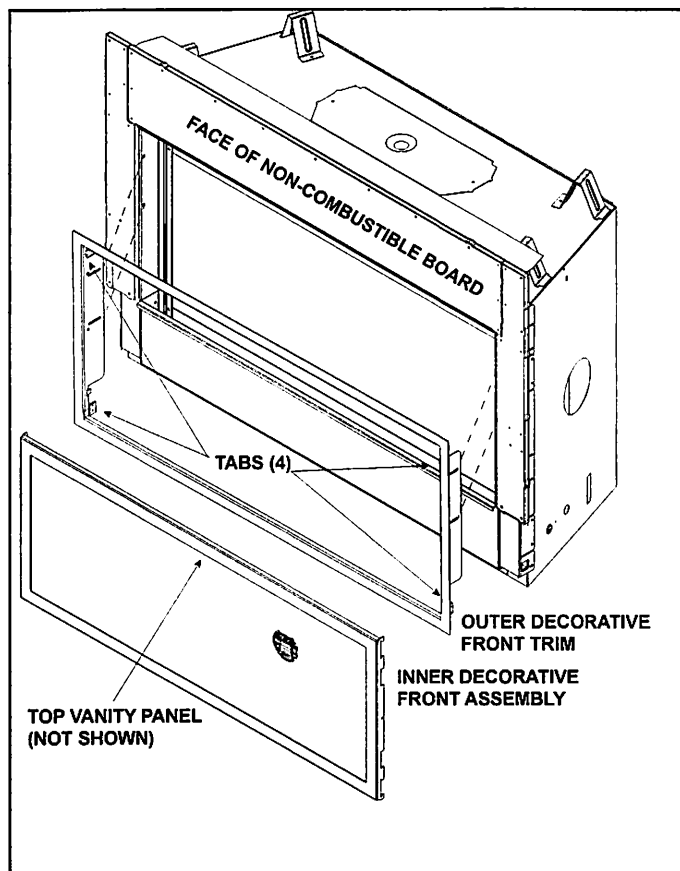


Figure 6. Outer Decorative front Trim and Inner Decorative Front Installation

6. Install the inner decorative front assembly so that the top vanity is positioned upward. The inner decorative front assembly will hang from the four tabs located on the left/right sides of the outer decorative front trim. See Figure 6 and Figure 7.

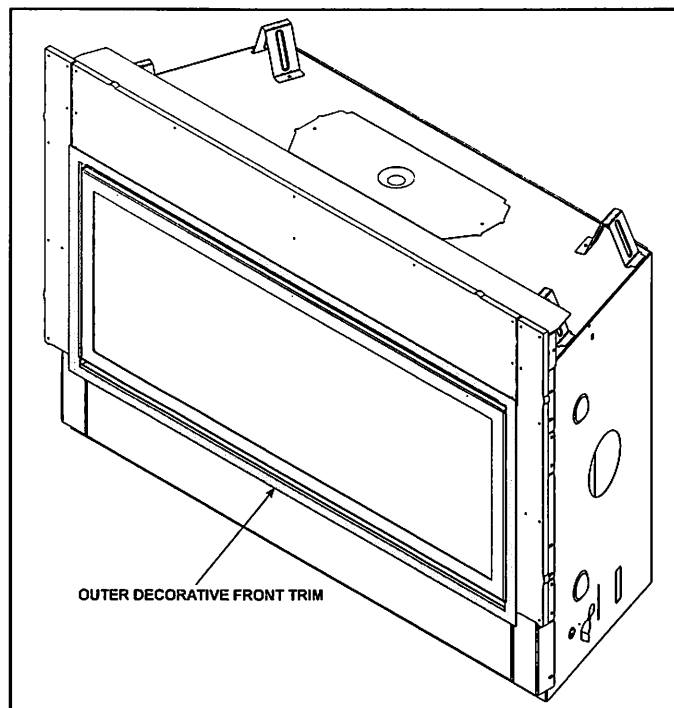


Figure 7. CFT Decorative Front Installed With Outer Decorative Front Trim

3. Install the glass vanity panel onto the appliance glass assembly by inserting the long side of the vanity panel between the glass and bottom glass frame as shown in Figure 2.
4. Shipping brackets and auxiliary hanging brackets are attached to the left and right sides of the decorative front. See Figure 1. Remove the two screws and discard the shipping brackets and screws. Retain auxiliary hanging brackets. Remove inner decorative front and set aside. See Figure 3.

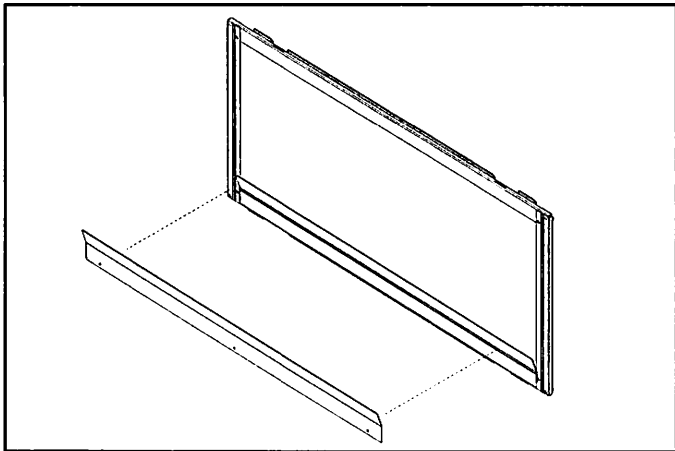


Figure 2. Install Glass Vanity Panel

### Determine Installation Method For CFT Decorative Front

The installation of the CFT decorative front is determined by the finishing method applied during the appliance installation. The design of the CFT decorative front allows for installation with or without the outer decorative front trim. If the outer decorative front trim is not used, then the auxiliary hanging brackets must be used. See Figure 3.

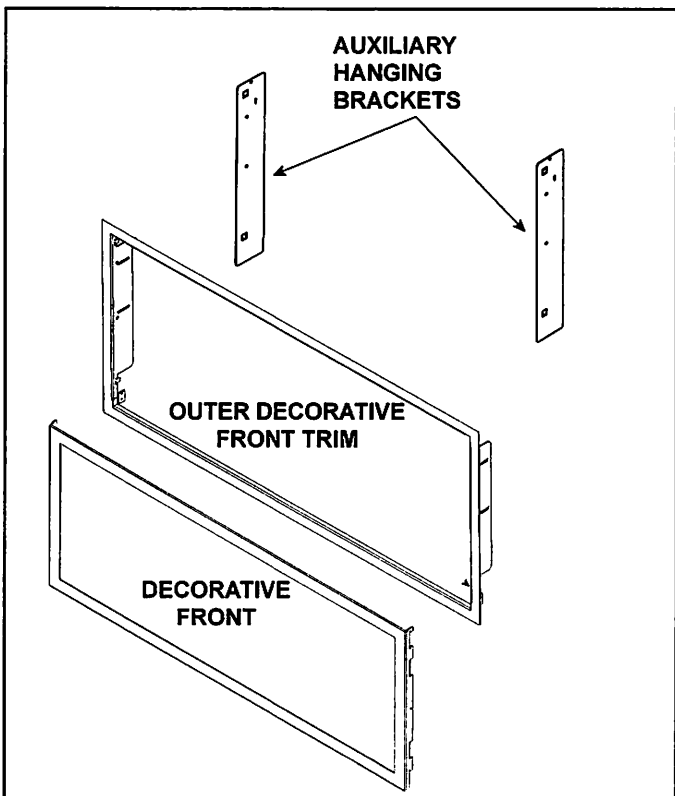


Figure 3. Component Identification

Please use the provisions below to determine the correct installation method.

#### Outer Decorative Front Trim is Required:

If only drywall has been installed.

If decorative non-combustible finishing material (such as tile or marble) less than one inch thick has been installed.

If non-combustible finishing material (such as ledgerstone, cultured or natural stone) greater than one inch thick has been installed AND it is installed a minimum of 1-3/16 inch from the appliance opening.

In any of the above instances, the auxiliary hanging brackets should be discarded. Follow the steps on page 3 and reference Figure 4.

#### Auxiliary Hanging Brackets are Required:

If non-combustible finishing material (such as ledgerstone, cultured or natural stone) greater than one inch thick has been installed up to the appliance opening.

In the above instance, the outer decorative front trim should be discarded. Follow the steps on page 4 and reference Figure 5.

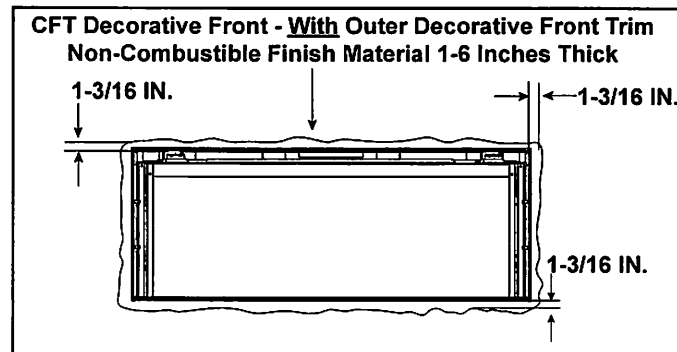


Figure 4. Clearances to Appliance Opening With Outer Decorative front Trim

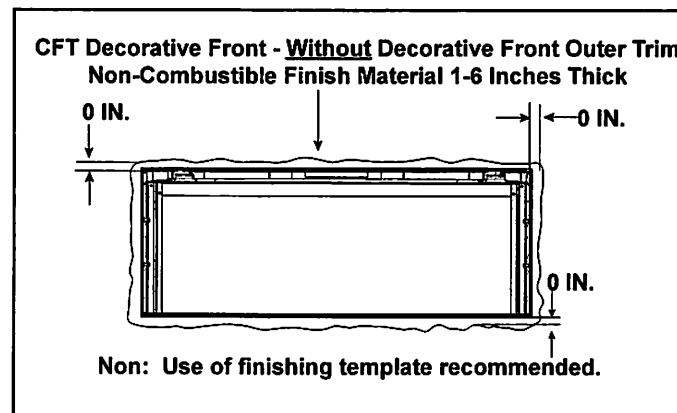


Figure 5. Clearances to Appliance Opening Without Outer Decorative front Trim

## CFT-32, CFT-42 Decorative Fronts

CFT-42-SS, CFT-42-PT, CFT-42-NB, CFT-42-GY, CFT-42-GT, CFT-42-EB, CFT-42-BZ, CFT-42-BK,  
CFT-32-PT, CFT-32-NB, CFT-32-GY, CFT-32-GT, CFT-32-BZ, CFT-32-BK

### Installation & Operating Instructions



Leave this manual with party responsible for use and operation.

**CAUTION! Risk of Cuts, Abrasions or Flying Debris.**  
Wear protective gloves and safety glasses during installation. Sheet metal edges are sharp.

# DANGER

**HOT GLASS WILL CAUSE BURNS.**

**DO NOT TOUCH GLASS UNTIL COOLED.**

**NEVER ALLOW CHILDREN TO TOUCH GLASS.**

A barrier designed to reduce the risk of burns from the hot viewing glass is provided with this appliance and shall be installed for the protection of children and other at-risk individuals.

**WARNING! Risk of Fire! Combustible materials MUST NOT overlap or be placed under a surround.**

**WARNING! Risk of Fire! DO NOT** apply combustible materials beyond the minimum clearances. Comply with all minimum clearances to combustibles as specified. Overlapping materials could ignite and will interfere with proper operation of decorative fronts.

**CAUTION! Do not install damaged components.**

#### Contents:

- Decorative Front Assembly  
(Inner Decorative Front Assembly & Outer Decorative Front Trim)
- Hex Screws (4)
- Glass Vanity Panel  
(Ships secured to back of decorative front assembly)
- Side Auxiliary Brackets (1 left, 1 right)

Verify and remove contents from packaging before beginning installation.

#### Preparation:

**Note:** See appliance Installation Manual for specific finishing methods.

Overlap Fit Finishing: 0-1 Inch

Inside fit Finishing: 1-6 Inches

The CFT decorative front can be installed with or without the included outer decorative front trim. Determine whether or not to install the outer decorative front trim using the conditions listed on page 2.

1. Remove decorative front assembly and manual bag assembly from the packaging. Place the decorative front assembly face down on a clean, protected work surface.
2. Remove the three screws that secure the glass vanity panel to the back of the decorative front. Discard screws. See Figure 1.

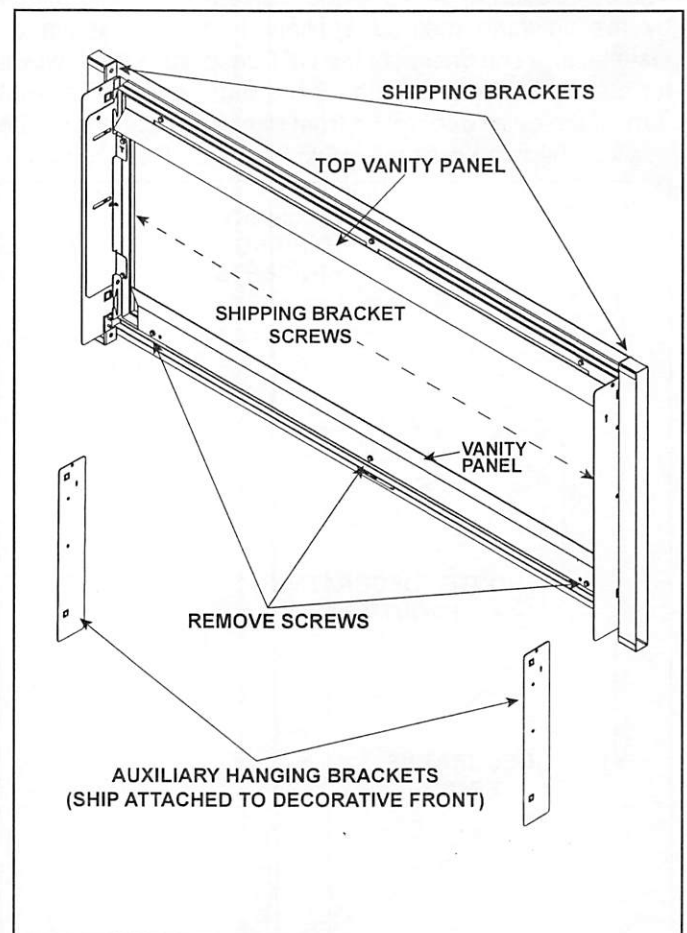


Figure 1. Decorative Front Assembly - Shown as Shipped