

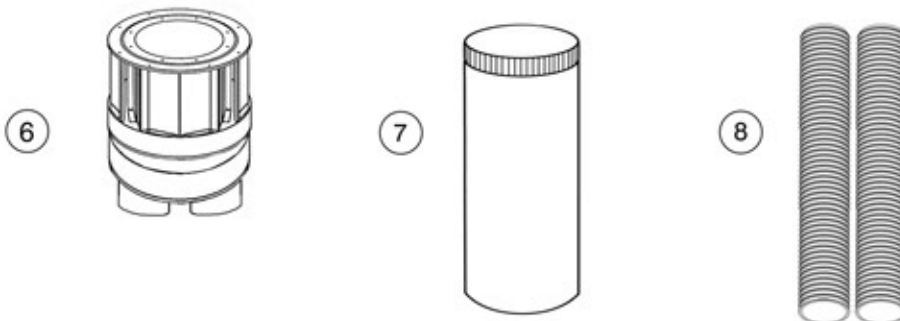
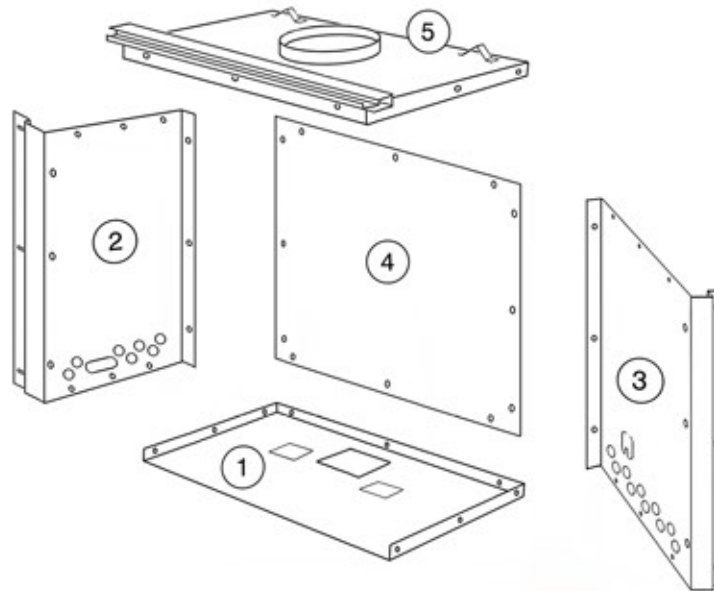
i30-X Zero Clearance Installation Instructions



Further Information can be found at:
<https://jetmastervic.com.au/brochures-specifications/>

i30-X Zero Clearance

Components



ZERO CLEARANCE KIT COMPONENTS

No.	Description	Qty	Size
1	Base Panel	1	854 x 486
2	LH Side Panel - gas	1	540 x 471
3	RH Side Panel - electric	1	540 x 471
4	Rear Panel	1	803 x 540
5	Top Panel	1	854 x 486
6	Vertical Termination Cowl	1	
7	1200mm Gal Flue (200mm)	4	
8	Flexi Flue - 4m	1	
9	Pack of 30 screws	1	



PLEASE NOTE:

1. UNIT MUST BE INSTALLED PRIOR TO PLASTERING
2. 2 x 45 degree bends allowed (max 300mm between bends)
3. 300mm min from firebox top to bottom edge of any timber mantel

i30-X Zero Clearance

Assembly Instructions



Step 1:

Lay the base panel flat on your working surface, with the flat edge to the front.



Step 2:

Position the side panels (Gas and Electrical on the LEFT), then screw both sides into the base panel using the screws supplied. Ensure the raised channel sections are placed to the front.



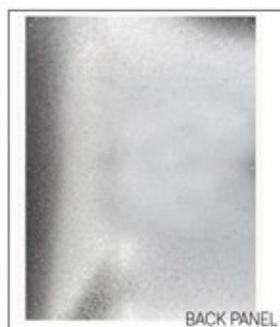
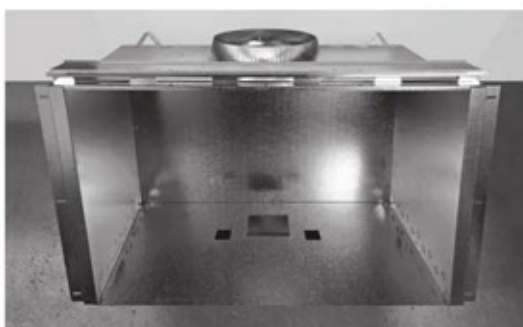
Step 3:

The electrical cord feeds through the 'trapdoor' outlet and the black plastic grommet is positioned around the cord. when the unit is inserted into the box, pull the cord tight so the majority of the cord is outside the box.



Step 4:

Position the top plate over the 3 sides (vertical panels fit inside the top plate), line up all pre-drilled holes then screw all panels together.



Step 5:

The Zero Clearance box is now fully assembled.

i30-X Zero Clearance

Assembly Instructions

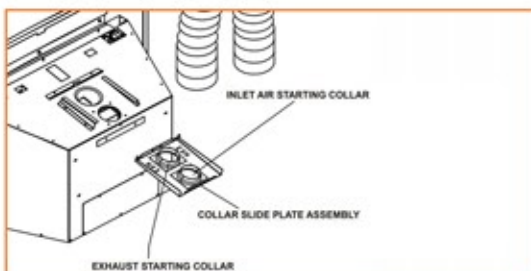
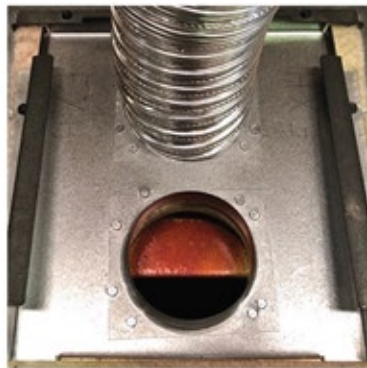
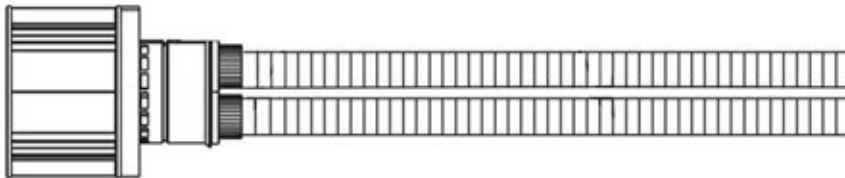


Step 6:

Position the galvanised flue over the crimped spigot located on top of the box and fit to spigot using either pop rivets or self-tapping screws.

Step 7:

Attach the flexi flue to the starter collars located on the underside of the flue termination, remembering to mark either the intake or exhaust as the flexi flue may turn when fitting. Lower the flexi flues down the galvanised flue pipe and affix both to their corresponding locations on the fireplace flue starter panel.



Connecting Vent Pipe

Reference instructions in the termination kit

- Install the two 3" flexi flue pipe(s) down through the gal flue pipe
- Secure each of the pipes to the starter collars using 3 self tapping screws on each

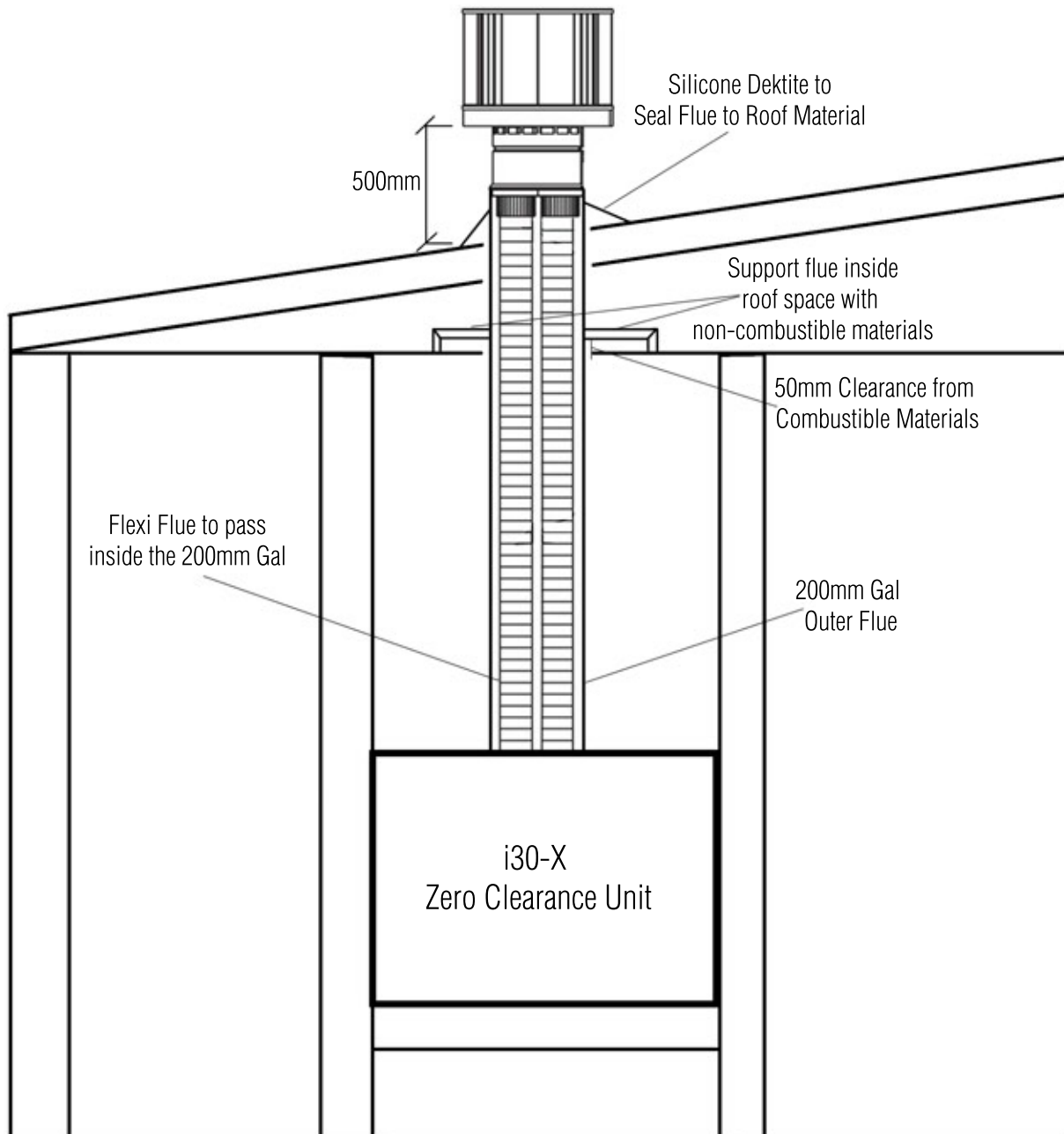
Note: The collar slide plate may be removed from the unit to aid installation - please see instruction manual



i30-X Zero Clearance

Assembly Instructions

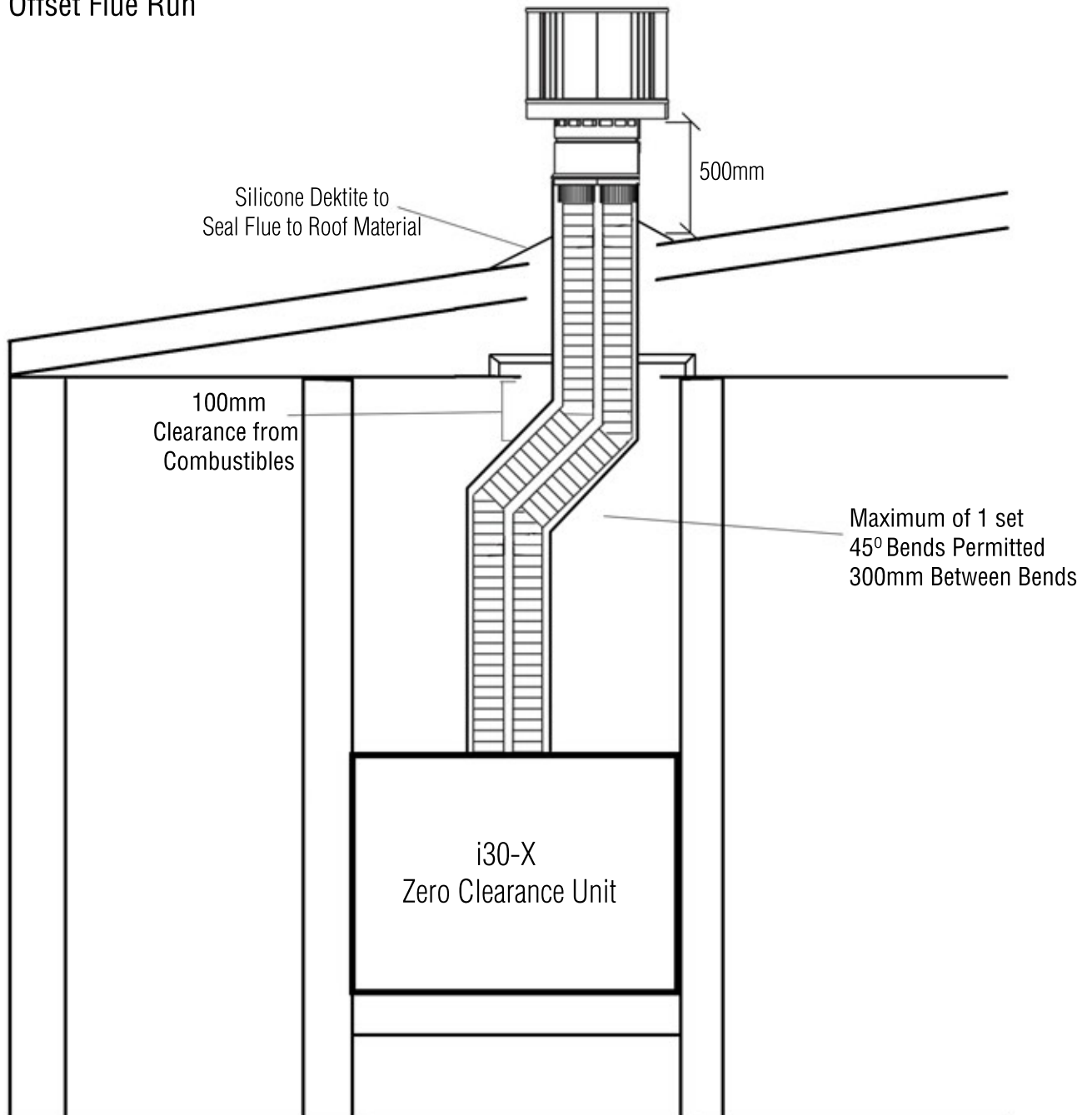
Straight Flue Run



i30-X Zero Clearance

Assembly Instructions

Offset Flue Run



i30-X Zero Clearance

Assembly Instructions



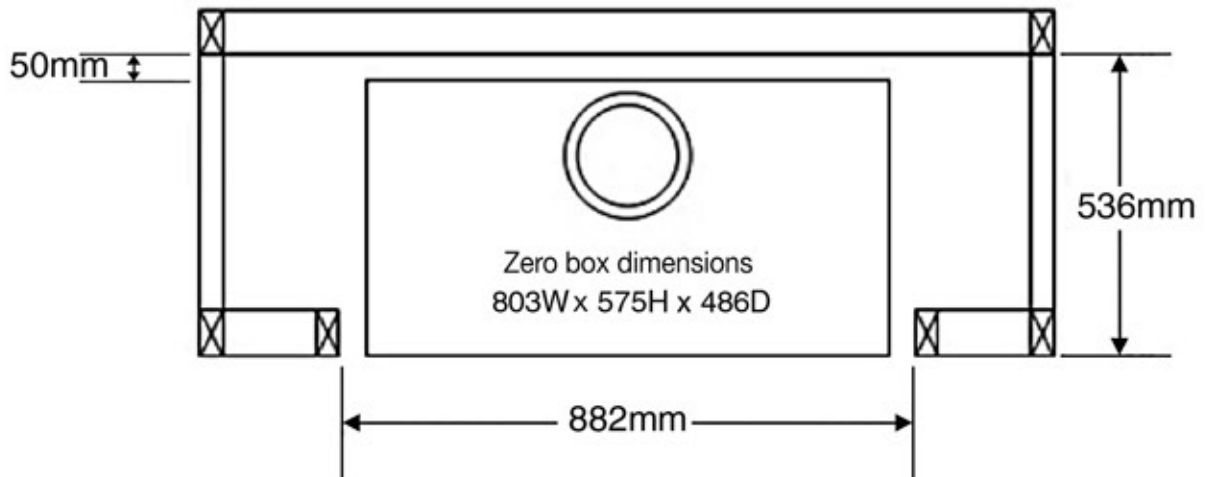
Step 9:

Assembly is now complete, unit should now be ready to be installed into the pre-built timber frame (see specifications).

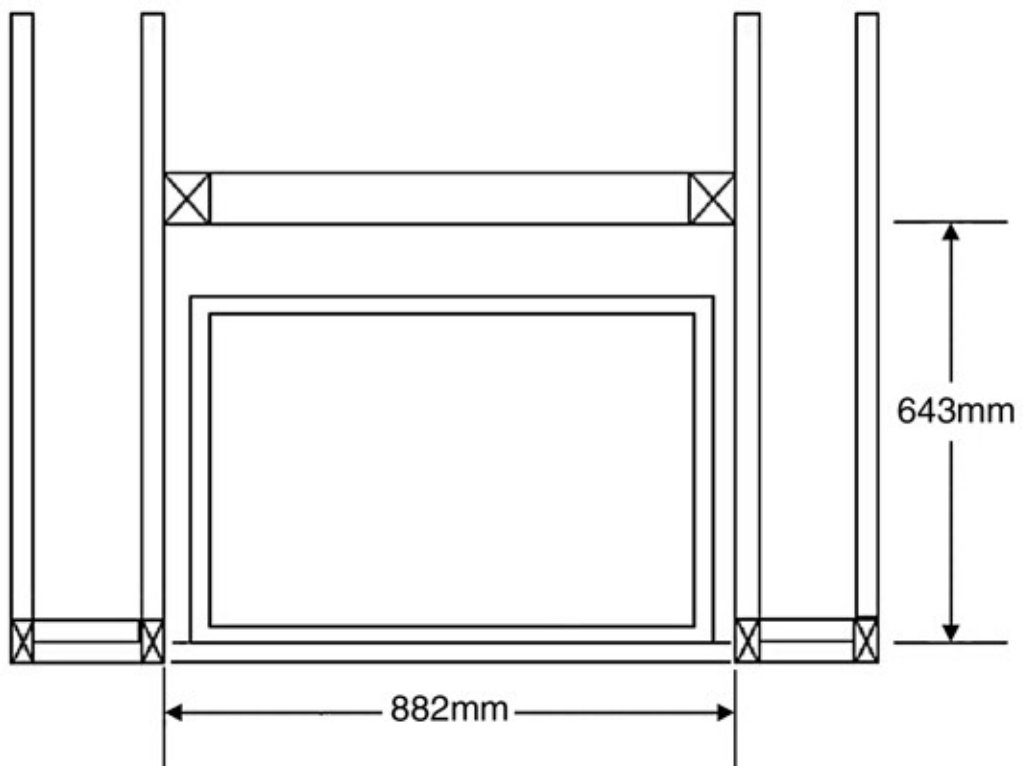
Please Note - Wall to be clad in 13mm Fyrchek or similar

i30-X Zero Clearance

Framing Specifications



ELEVATION



Please Note - Wall to be clad in 13mm Fyrcek or similar



HEAT & GLO™

Jetmaster Heat & Glo

444 Swan Street Richmond

PH: 1300 219 875

www.jetmastervic.com.au