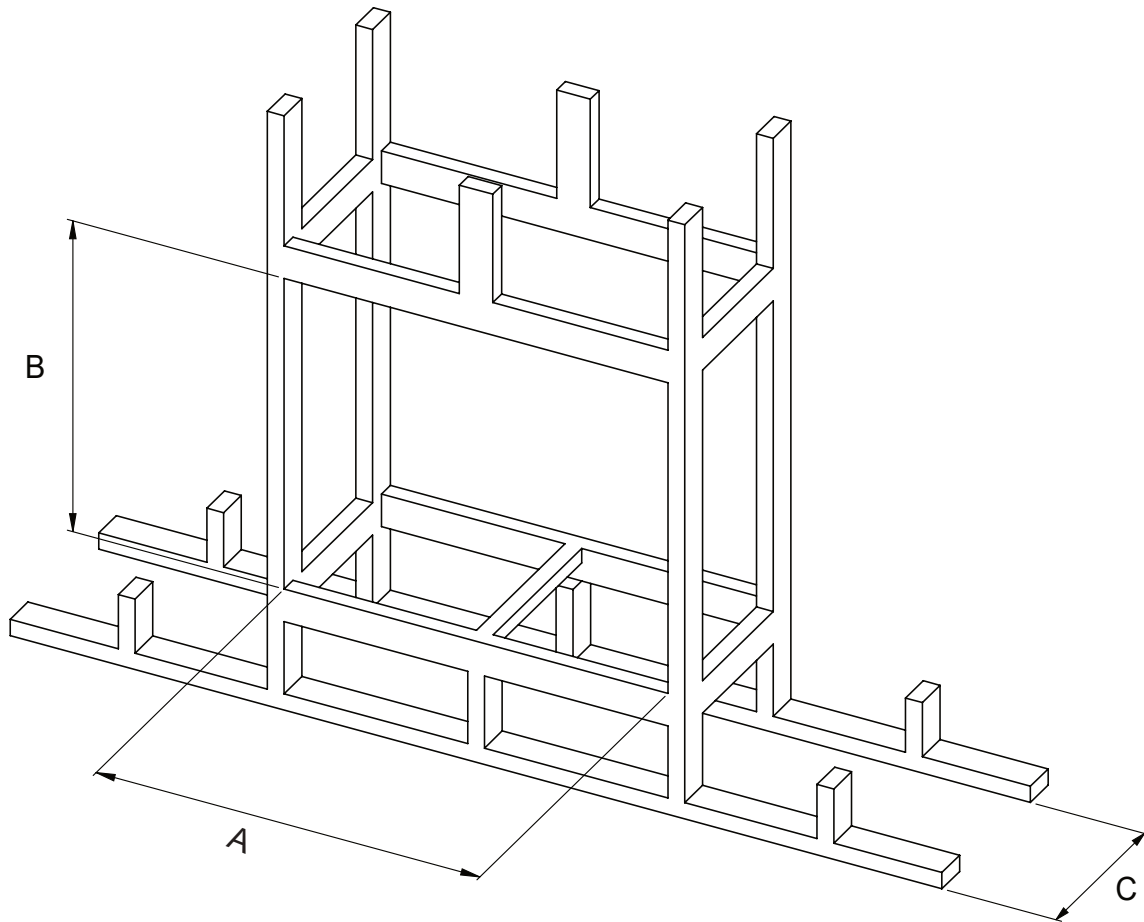


Framing Specifications

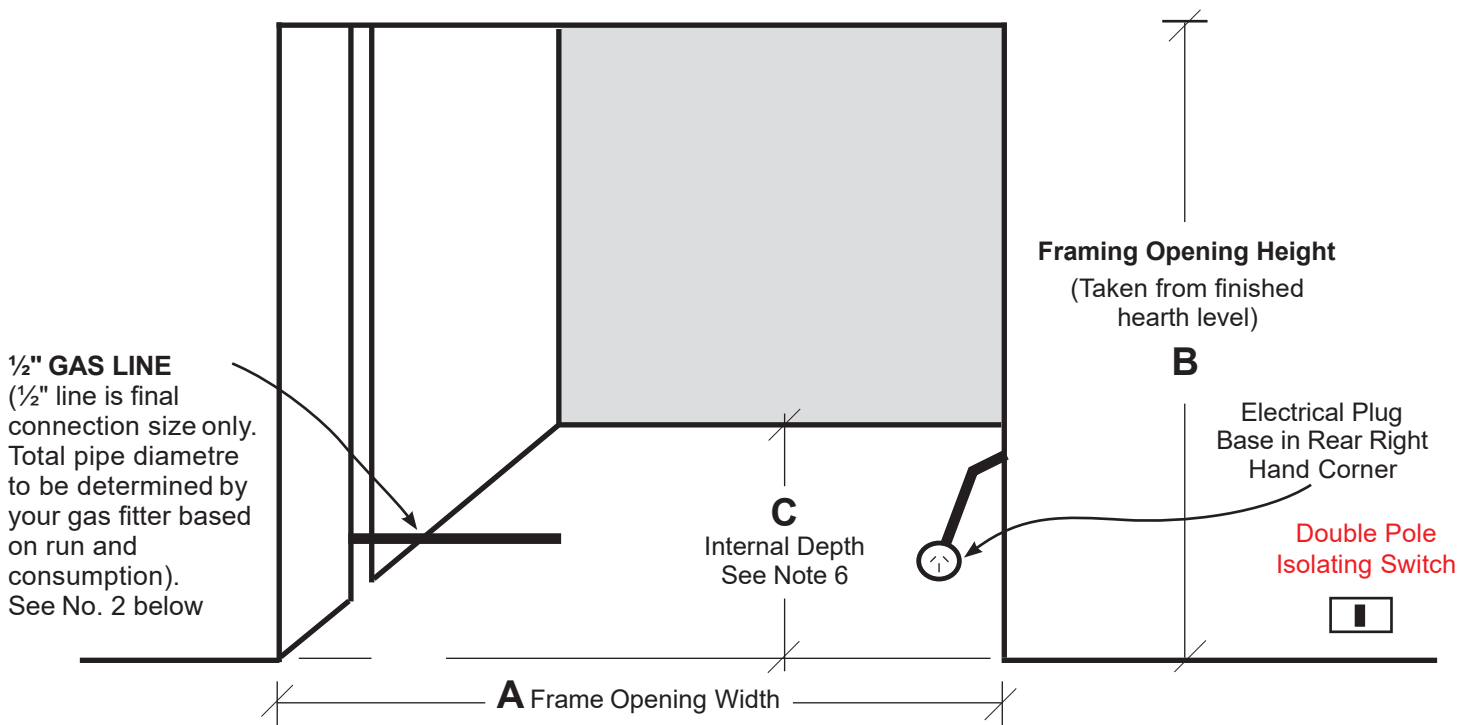


Minimum Framing Specifications			
Model	A	B	C
3X-AU	865mm	835mm	450mm
5X-AU	940mm	885mm	450mm
5X-AU (skamotec margin kit - to suit Clean Face Front)	1030mm	950mm	450mm
6X-AU	1070mm	1020mm	560mm
6X-AU (skamotec margin kit - to suit Clean Face Front)	1160mm	1085mm	570mm

↑
Front of stud to front of stud

PLEASENOTE: Frame opening height is greater than plaster opening height! Height off floor nominal.

Preparation and Framing Specifications



IMPORTANT NOTICE: (Items 1, 2 and 3 apply to ALL Heat & Glo gas appliances)

1. **1/2" GAS LINE:** Run through cavity 70mm above finished hearth level, **NOT RIGID, NOT CLIPPED**, with minimum 500mm into closet and 120mm back from plaster face.
2. **PVC (COMPOSITE) GASLINE** must terminate minimum 500mm short of gas heater. Copper pipe **MUST** be the final connection to the gas heater.
3. **DOUBLE POLE ISOLATING SWITCH** to be fitted (wired to plug base) in accordance with AS5601 and AS3000. Location within 1 metre of fireplace.
4. **HEATER MUST BE INSTALLED AND FLUE PENETRATION COMPLETE PRIOR TO PLASTER SHEETING TO ALLOW COMPLETE CONNECTION OF THE FLUES AND TO ENSURE THAT THE 100mm TRIM OVERLAPS THE PLASTER EDGES TO COMPLETE THE INSTALLATION.**
5. Framing should be of a minimum 90mm x 35mm pine.
6. In order to install a rear flue termination **DIRECTLY** off the rear of the heater, the distance from the back of the heater to the outside of the external wall must not exceed 457mm. (Note: maximum distance from the back of 6X is 405mm).
7. Combustible materials must not be used to enclose the top of the heater, when unit is set up as a free standing unit with exposed flue.

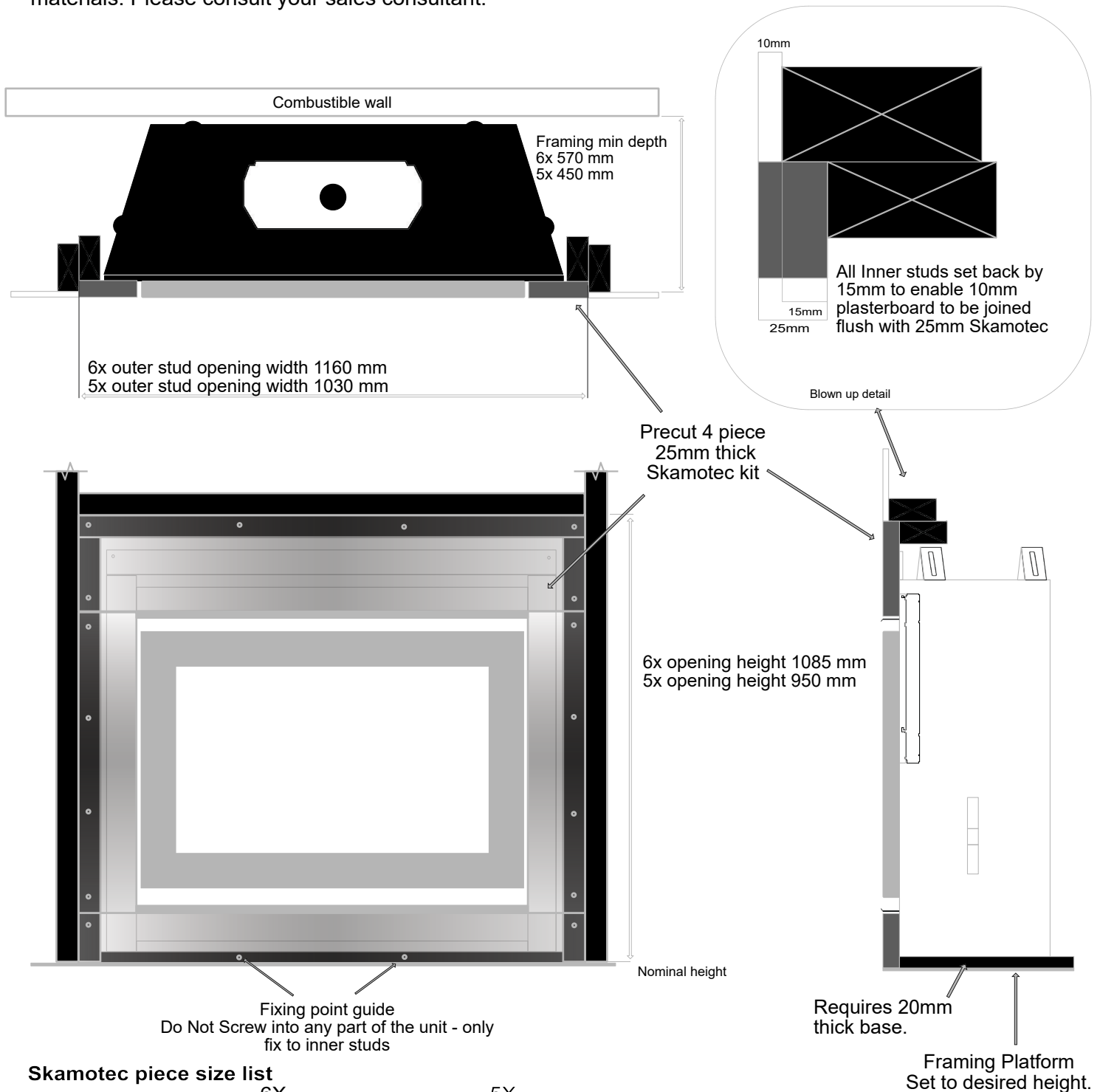
NOTE: If you have any queries relating to the above procedures, please contact Jetmaster on 1300 219 875.

Specifications subject to change, contact Jetmaster prior to commencement.

**Specifications correct at time of printing*

Skamotec Margin Kit Guide 5X and 6X Clean Face Front

This instruction is intended as a pre plaster install guide for use with the Skamotec margin kit supplied as a pre-cut kit by Jetmaster Victoria. This guide may not be suitable if intending to use different finishing materials. Please consult your sales consultant.



Skamotec piece size list

	6X	5X
Top	1:60mm CxC258mm	1030mm x 188mm
Bottom	1:60mm CxC105mm	1030mm x 108mm
Sides x 2	742mmCxC123mm	654mm x 118mm

Stud set is based on pre-cut 35mm x 70mm pine.

NOTE: If you have any queries relating to the above procedures, please contact Jetmaster on 1300 219 875.

Important notes: utilise Fibreglass tape for join to plaster. Paper tape not suitable. Skamotec is not a finished product and will require dressing. For a painted finish, follow skamol instructions for surface preparation. Video tutorial for Skamotec 225 is available on youtube.