

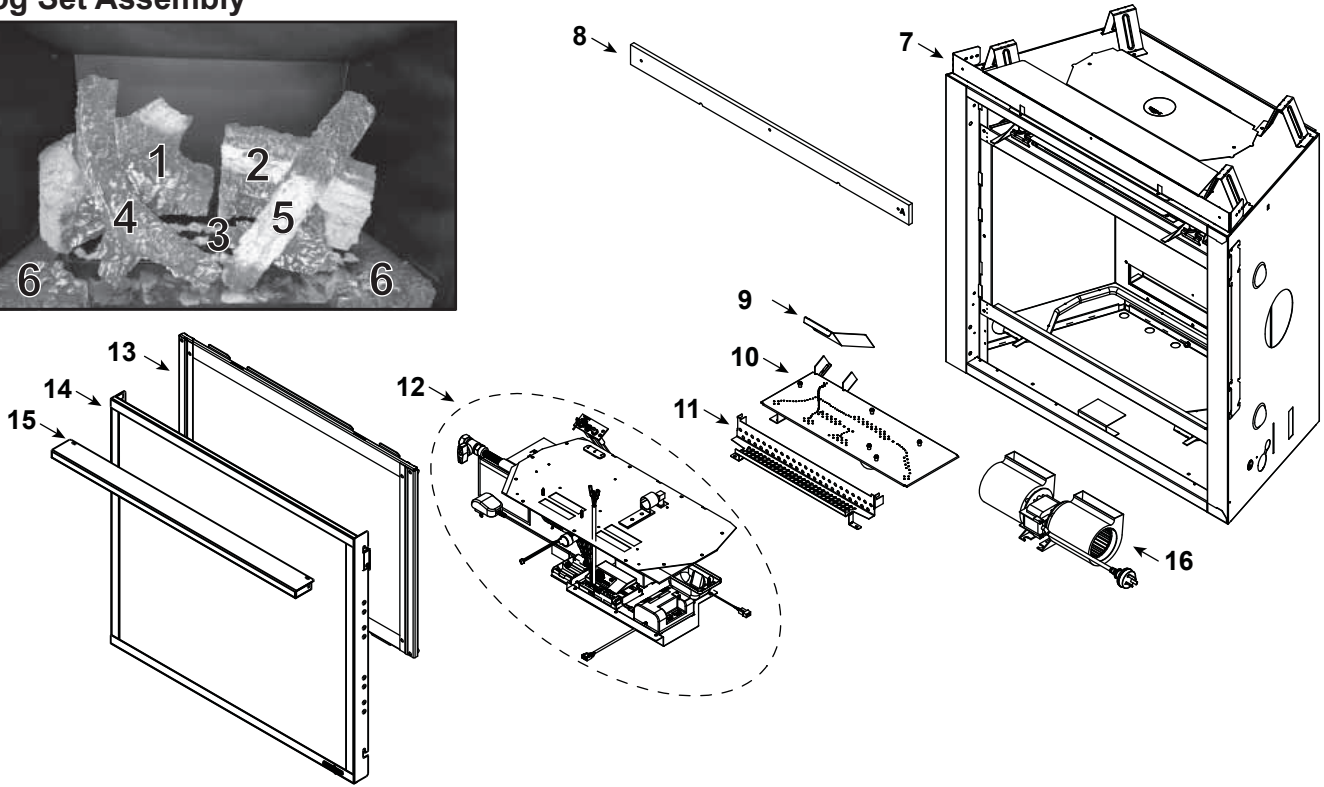
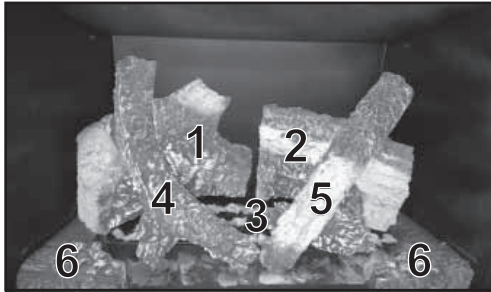
IMPORTANT: THIS IS DATED INFORMATION. Parts must be ordered from a dealer or distributor. **Hearth and Home Technologies does not sell directly to consumers.** Provide model number and serial number when requesting service parts from your dealer or distributor.

ITEM	DESCRIPTION	COMMENTS	PART NUMBER
	Log Set Assembly	Hearth Sold Separately	LOGS-350X-AU
1	Rear Left Log		SRV2289-707
2	Rear Right Log		SRV2289-708
3	Burner Log		SRV2289-709
4	Top Left Log		SRV2392-711
5	Top Right Log		SRV2391-710
6	Left and Right Hearth		SRVHEARTH-SL3X
7	Support, Non-combustible		2289-119
8	Non-combustible Board		2289-401
9	Heat Shield, Pilot		2279-110
10	Burner Assembly		2370-007
11	Ember Bed		2372-108
12	Valve Assembly		See following Page
13	Glass Door Assembly		GLA-350TRS
14	Firescreen Front		FS-3-BK
15	Hood		SRV2370-274-BK
16	Fan Assembly, 240V		2264-500A

Additional service part numbers appear on following page.

1/19

Log Set Assembly



IMPORTANT: THIS IS DATED INFORMATION. Parts must be ordered from a dealer or distributor. **Hearth and Home Technologies does not sell directly to consumers.** Provide model number and serial number when requesting service parts from your dealer or distributor.

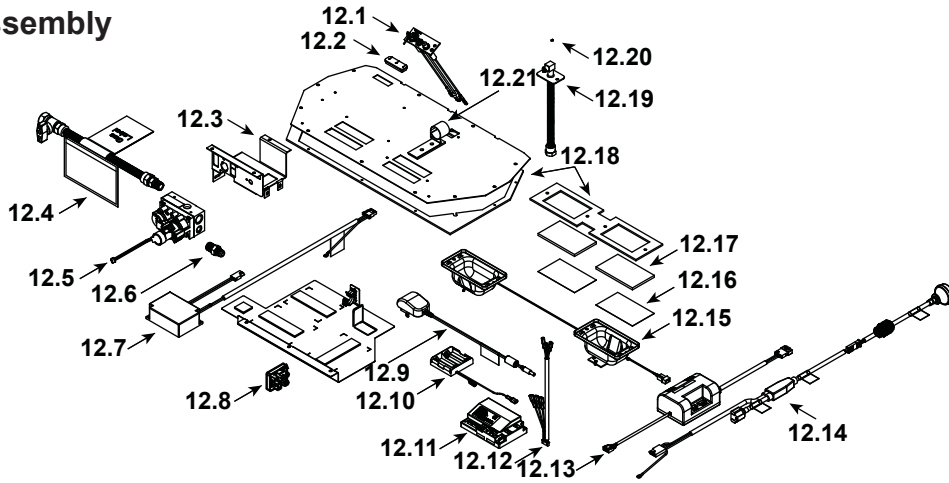
ITEM	DESCRIPTION	COMMENTS	PART NUMBER
	Log Set Assembly	Hearth Sold Separately	LOGS-SL5
1	Rear Left Log		SRV2391-707
2	Rear Right Log		SRV2391-708
3	Burner Log		SRV2391-709
4	Top Left Log		SRV2392-711
5	Top Right Log		SRV2391-710
6	Left and Right Hearth		SRVHEARTH-SL5X
7	Support, Non-combustible		2279-119
8	Non-combustible Board		2279-401
9	Heat Shield, Pilot		2279-110
10	Burner Assembly	NG	2279-007
		Propane/ULPG	SRV2279-008
11	Ember Bed		2372-108
12	Valve Assembly		See following Page
13	Glass Door Assembly		GLA-550TRS
14	Firescreen Front		FS-5-BK
15	Hood		SRV2371-274-BK
16	Fan Assembly, 240V		2264-500A

Additional service part numbers appear on following page.

1/19

No one builds a better fire

#12 Valve Assembly



IMPORTANT: THIS IS DATED INFORMATION. Parts must be ordered from a dealer or distributor. **Hearth and Home Technologies does not sell directly to consumers.** Provide model number and serial number when requesting service parts from your dealer or distributor.

ITEM	DESCRIPTION	COMMENTS	PART NUMBER
12.1	Pilot Assembly NG		2106-169
	Pilot Assembly Propane		2106-170
	Pilot Tube		SRV485-301
12.2	3-Hole Grommet		SRV2118-420
12.3	Valve Bracket		2118-104
12.4	Flex Ball Valve Assembly		SRV302-320
12.5	Valve NG		2166-302
	Valve Propane		2166-303
12.6	Male Connector	Pkg of 5	303-315/5
12.7	LED Power Supply, 12V		2493-309
12.8	LED Resistor Module		2326-125
12.9	Transformer, 6V Wall		SRV2326-131
12.10	Battery Pack		SRV2166-323
12.11	Module, IPI 30 Gray		2166-306
12.12	Wire Harness		2166-304
12.13	AUX300 CE		2166-340
12.14	Power Cord Assembly		2222-037
12.15	2 Gang Wire Harness		2166-316
12.16	Kapton Lens	Qty 2 req	2166-184
12.17	LED Glass	Qty 2 req	2166-163
12.18	Ember LED Gasket and Valve Plate Gasket	Must order Gasket Assembly 2118-080	
12.19	Bulkhead w/Flex Tube		SRV7000-156
12.20	Orifice NG (#44)	350X-AU	582-844
	Orifice Propane (#55)		582-855
	Orifice ULPG (#56)		582-856
	Orifice NG (#40)	550X-AU	582-840
	Orifice Propane (#53)		582-853
	Orifice ULPG (#55)		582-855
12.21	Air Shutter		2118-121

Additional service part numbers appear on following page.

