

Log Set Assembly: LOGS-350X, LOGS-SL5

LOG PLACEMENT INSTRUCTIONS

Models: 350X-AU, 550X-AU

Install Logs

CAUTION: Logs are fragile, handle with care.

NOTICE: Paint Touch Up Kit (2372-099) may be ordered from your dealer to repair chips and scratches if necessary.

Overview

These are common log instructions for the 350X-AU, 550X-AU models. Both models use the same number of components, which are scaled up or down in size, depending on the model of fireplace installed. Each size log set consists of five logs.

*The photos shown in these instructions depict an 350X-AU.

Log Pins

The overall size and placement of the burner assembly within the firebox is very similar between all sizes. However, each burner top has different burner ports and log pin configurations. See Figure 1 for log pin locations.

The log pins, along with the indentations in the hearth components, will aid in correctly positioning the two rear logs and small burner log. The indentations are shown in Figure 4.

Log Placement Tips

- The rear left log, rear right log and small burner log utilize holes in the bottom side of the logs that correspond to the log pins on the burner. Reference Figure 1 and Figure 2.

Additionally, the rear left log and rear right log are located by indentations in the right and left hearth components. See Figure 5.

Note: 350X-AU model does not utilize a hearth indentation in the left hearth.

- The Top left and top right logs, which lay across the rear left and rear right logs, utilize the "indentations" in the rear left and rear right logs for proper placement.

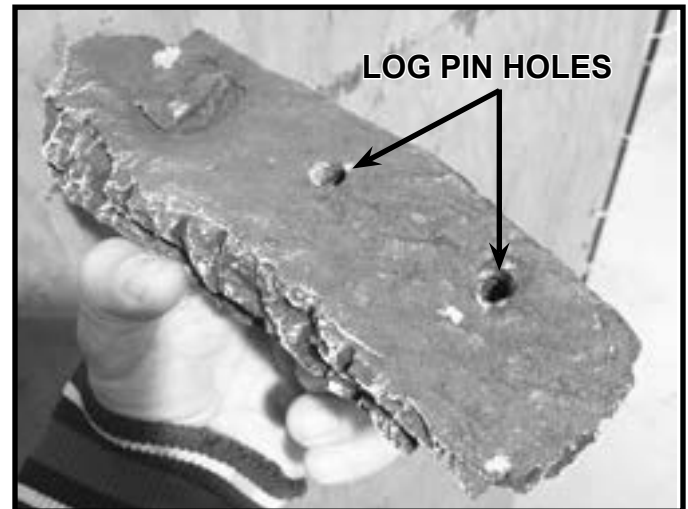


Figure 2. Example of Log Pin Holes

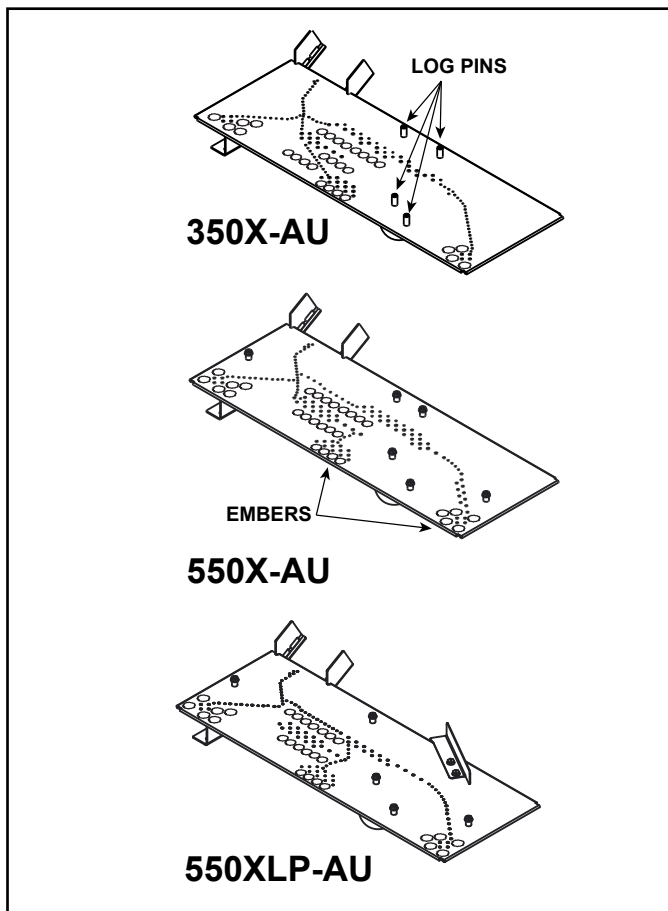


Figure 1. Log Pin and Glowing Ember Locations

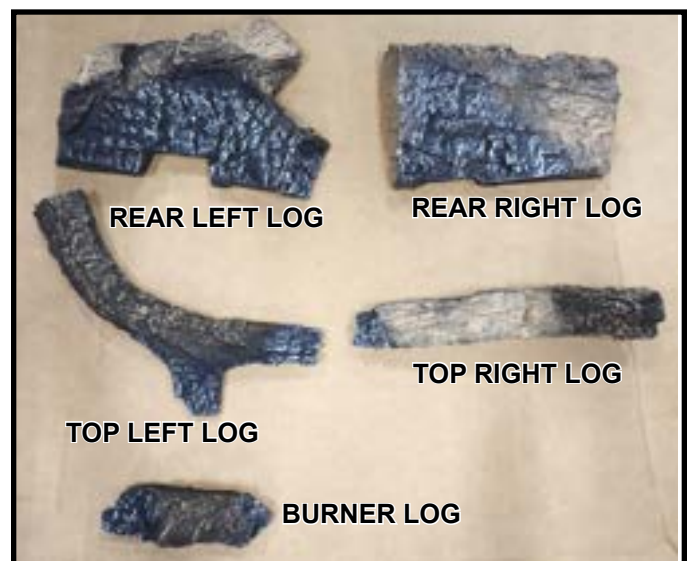


Figure 3. Log Set Components

Install Rear Logs

1. Remove large rear left log from the packaging and install the log by locating it on the back left log pin(s). The left side of the log will reside within the indentation in the left hearth component. See Figure 5.

Note: 350X-AU model does not utilize a hearth indentation on the left hearth. See Figure 4.

The rear left log will be positioned to maintain about a 1-1/4 in. (32 mm) rear gap between the rear left log and the back wall. The rear left log will maintain about a 3/4 in. (19 mm) gap from the left wall. See Figure 4.

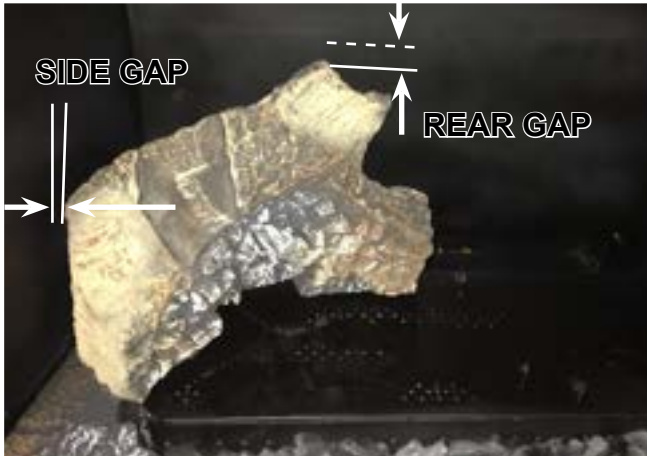


Figure 4. Rear Left Log Installed

2. Remove the large rear right log from packaging and install it by locating it on the back right log pin. On some models, it may be necessary to lift the rear left log slightly to install the rear right log. The right side of the log will reside within the indentation in the right hearth component. See Figure 5.

350X-AU Models: The rear right log will be positioned to maintain about a 2 in. (51 mm) rear gap between the rear right log and the back wall. The rear right log will maintain a 3/4 in. (19 mm) gap from the right wall.

550X-AU Models: The rear right log will be positioned to maintain about a 1 in. (25 mm) rear gap between the rear right log and the back wall refractory. The rear right log maintain a 1 in. (25 mm) gap from the right wall. See Figure 5.

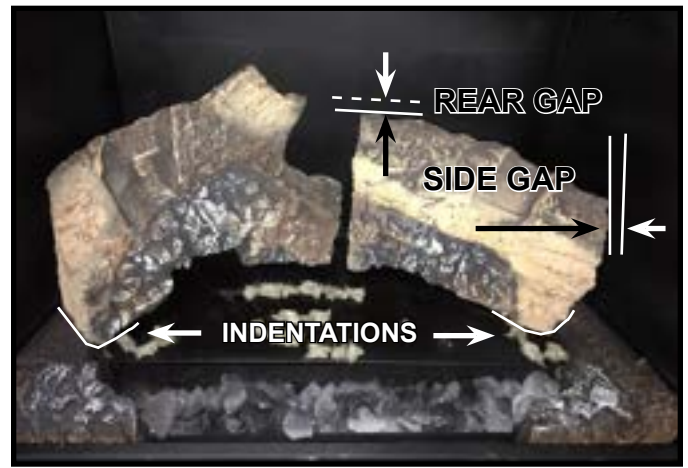


Figure 5. Rear Right Log Installed

Install Glowing Embers®

3. Remove the Glowing Embers® from packaging and install the ember material as shown in Figure 1. Care should be taken to avoid placing ember material directly over ports and to avoid using excessive amounts of ember material.

WARNING! Risk of Explosion! Follow ember placement instructions. **DO NOT** place embers directly over burner ports. Replace ember material annually. Improperly placed embers interfere with proper burner operation.

- Embers CANNOT be placed directly over ports. Care should be taken not to cover the lighting trail of ports (from back to front).
- When placing Glowing Embers® onto the burner care should be taken so that the ports are not covered. Place the 18 mm ember pieces near the port holes in the burner top. Failure to follow this procedure will likely cause lighting and sooting problems.

Install Front Logs

- Remove small burner log from packaging. This log has two holes on the bottom. These holes correspond to two log pins located on the burner top. Place the small burner log on the two log pins. See Figure 6. When properly placed, this log will rest on both the burner and ember tray/Teco-Sil.



Figure 6. Burner Log Installed

- Remove top left log from packaging. Place upper portion of the log into the indentation on the rear left log. The bottom right tip of the log will rest on the ember tray and the Teco-Sil rock. See Figure 7 and Figure 8.



Figure 7. Location of Left Log indentation



Figure 8. Location of Right Log Indentation

- Remove top right log from packaging. There are indentations located in the right rear log and small burner log to locate the log. Place log into indentations as shown in Figure 8 and Figure 9.

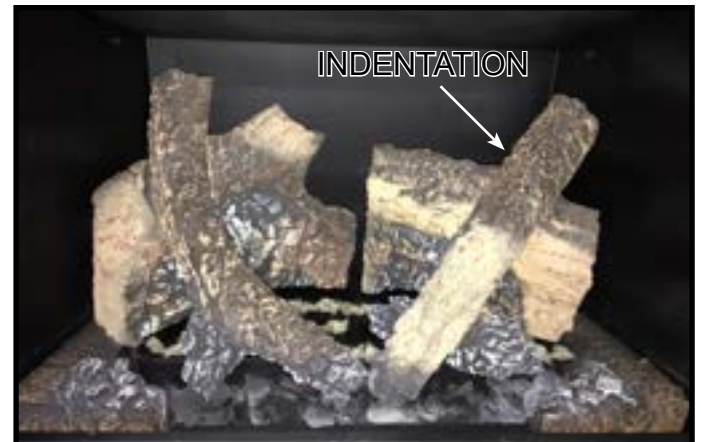


Figure 9. Top Right Log Installed - Log Set Complete