

# Clean Face Decorative Front

## Installation & Operating Instructions

### Models: CF-32, CF-36, CF-42



Leave this manual with party responsible for use and operation.

**CAUTION! Risk of Cuts, Abrasions or Flying Debris.** Wear protective gloves and safety glasses during installation. Sheet metal edges are sharp.

**DANGER**



**HOT GLASS WILL CAUSE BURNS.**

**DO NOT TOUCH GLASS UNTIL COOLED.**

**NEVER ALLOW CHILDREN TO TOUCH GLASS.**

A barrier designed to reduce the risk of burns from the hot viewing glass is provided with this appliance and must be installed for the protection of children and other at-risk individuals.

**WARNING! Risk of Fire!** Combustible materials **MUST NOT** overlap or be placed behind a decorative front.

**CAUTION! Do not install damaged components.**

**WARNING! Risk of Fire! DO NOT** apply combustible materials beyond the minimum clearances. Comply with all minimum clearances to combustibles as specified. Overlapping materials could ignite and will interfere with proper operation of decorative fronts and louvers.

## A. Preparation

Remove decorative front assembly from the shipping container.

Separate components from decorative front by removing the two screws on the back side of the decorative front.

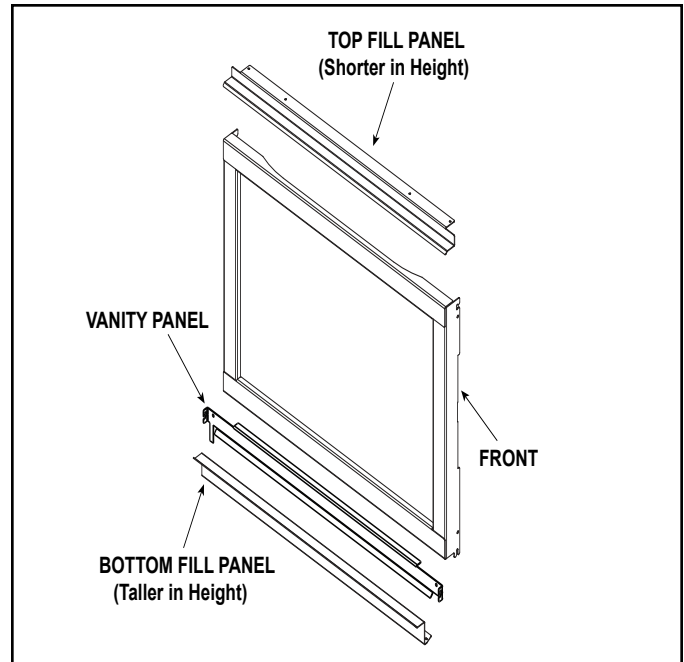


Figure 1 Components

**6X-AU Only:** If installing 6X-AU appliance, remove magnet brackets from appliance. See Figures 2 and 3.



Figure 2 Left Magnet Bracket

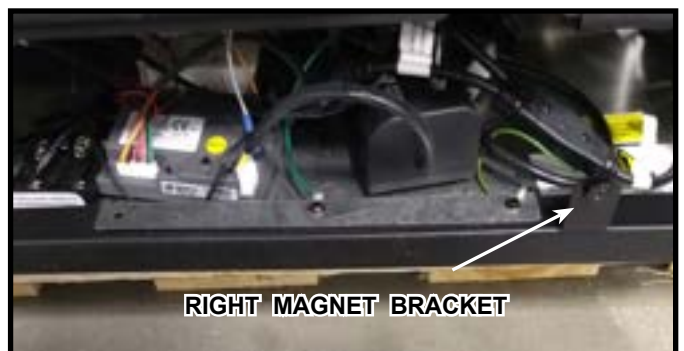


Figure 3 Right Magnet Bracket

## B. Door Installation

### 6000/8000 and "Modern" Models:

#### 1. Install Vanity Panel

Install vanity panel. Locate holes on right and left side surround and attach with shoulder screws from manual bag. Use upper set of holes on 6000/8000. Attach vanity panel as shown in Figure 4.

**Note:** When removing vanity panel for service access, begin removal process by lifting up on the vanity panel and then pulling it toward the front of the appliance until the shoulder screw is clear from the vanity panel mounting slot. To reinstall, reverse the steps.



Figure 4 Vanity Panel Installed on Shoulder Screw (Lower Left Corner Shown)

#### 2. Install Top Fill Panel

Install the top fill panel (shown in Figure 1) by installing four screws into the bottom return bend of the top surround of the appliance.

Locate the two pilot holes located on the left and right of the top surround.

Install two self-tapping screws into the two remaining center holes. See Figure 5.

#### 3. Install Bottom Fill Panel

Install the bottom fill panel by installing four screws into the bottom return bend of the bottom surround of the appliance.

Locate the two pilot holes located in the left and right sides of the bottom surround.

Install two screws into left and right pilot holes. See Figure 5 and Figure 6.

Install two self-tapping screws into the two remaining center holes.

Proceed to Step 4: Install Decorative Front.

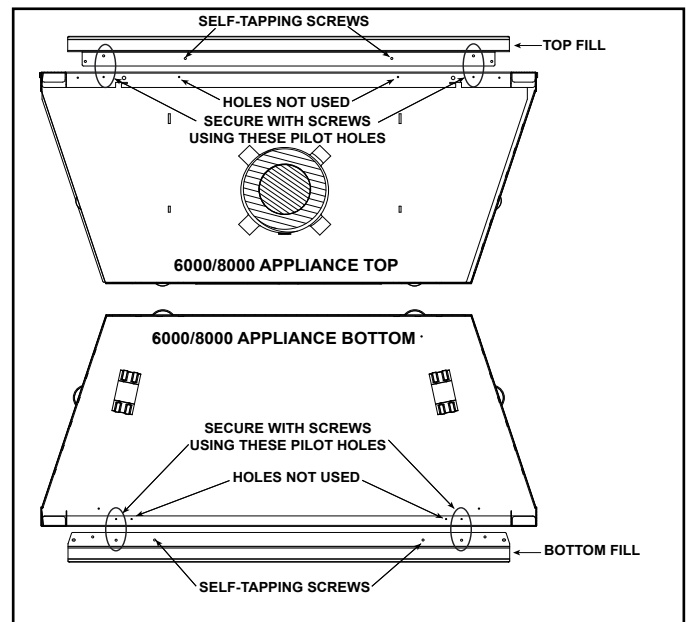


Figure 5

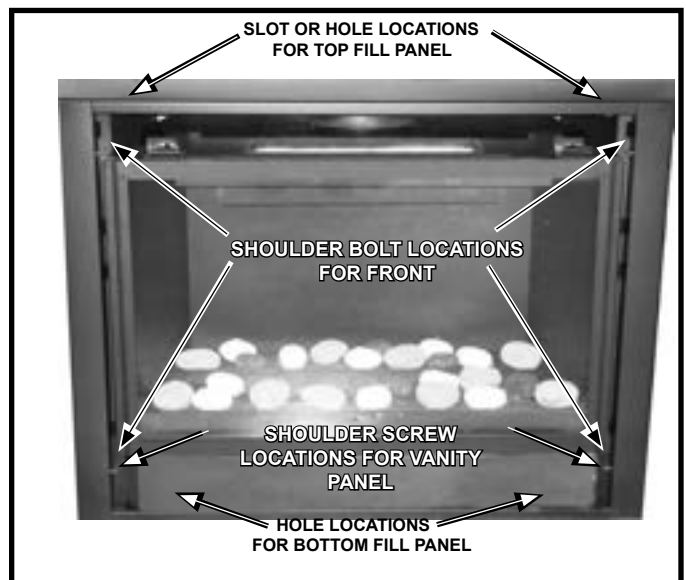


Figure 6 Locations

## Slimline Models (SL-5/5F/5X, SL-7/7F/7X):

### 1. Install Vanity Panel

Install vanity panel. Locate holes on right and left side surround and attach with shoulder screws from manual bag. Attach vanity panel as shown in Figure 7.

**Note:** When removing vanity panel for service access, begin removal process by lifting up on the vanity panel and then pull it toward the front of the appliance until the shoulder screw is clear from the vanity panel mounting slot. To reinstall, reverse the steps.

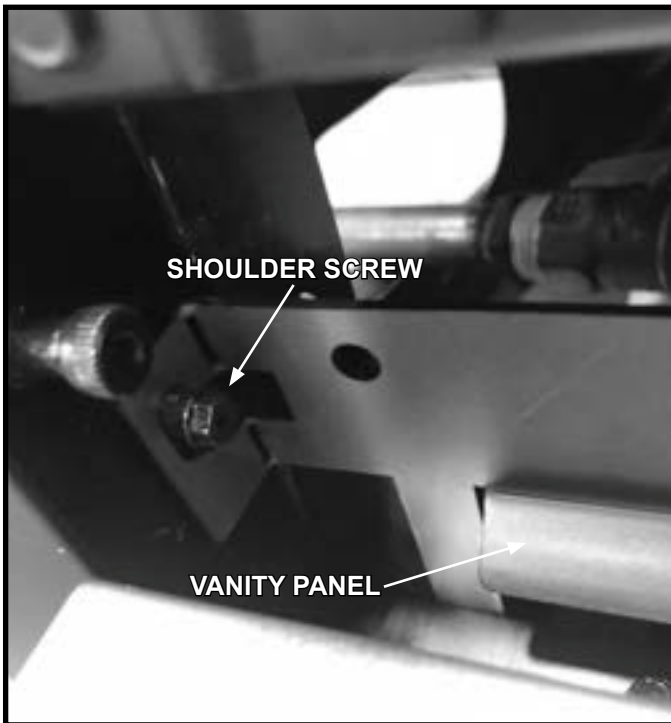


Figure 7 Vanity Panel Installed on Shoulder Screw (Lower Left Corner Shown)

### 2. Install Top Fill Panel

Install the top fill panel (shown in Figure 1) by installing four screws into the bottom return bend of the top surround of the appliance.

Locate the two hood clip slots located in the left and right of the top surround. If hood clips are present, remove the hood clips by sliding them each toward the outside of the appliance, then pushing them straight back and off of the appliance surround.

Install two screws into left and right slots. See Figure 8.

Install two self-tapping screws into the two remaining center holes. There will not be a pre-drilled hole in these locations.

### 3. Install Bottom Fill Panel

Install the bottom fill panel by installing four screws into the bottom return bend of the bottom surround of the appliance. See Figure 8.

Locate the two pilot holes located in the left and right sides of the bottom surround.

Install two screws into left and right pilot holes. See Figure 6 and Figure 8.

Install two self-tapping screws into the two remaining center holes. See Figure 8.

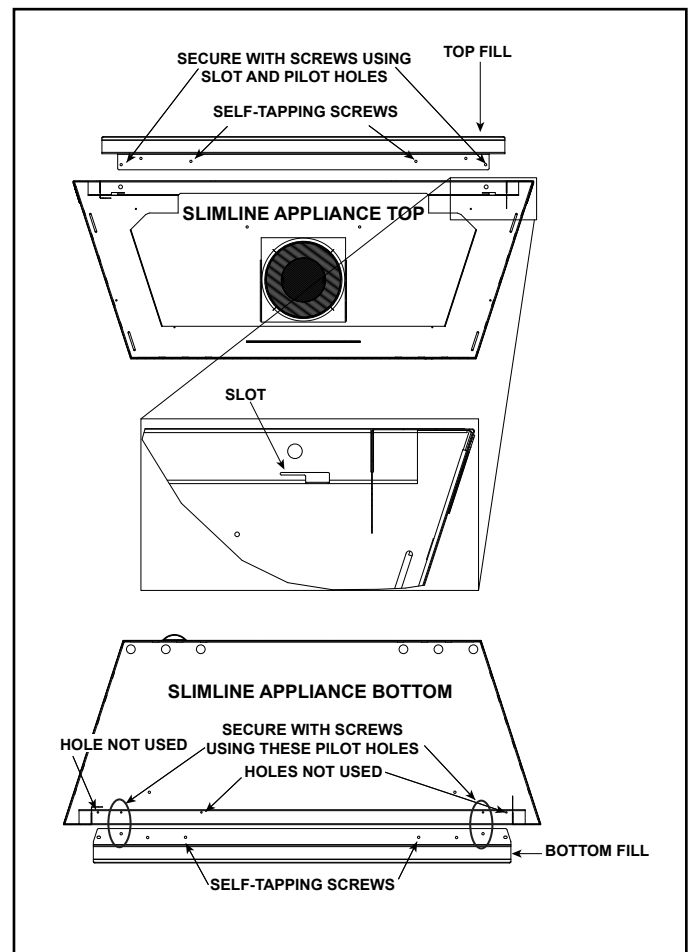


Figure 8 Vanity Panel Installed on Shoulder Screw (Lower Left Corner Shown)

#### 4. Install Decorative Front

Install four shoulder bolts into the threaded inserts located on the left and right inside surround columns. See Figure 6.

Align the bottom slots on the decorative front with the bottom shoulder bolts and set the front onto the bottom shoulder bolts. Tilt the decorative front towards the fireplace until it contacts the top shoulder bolts. Once the decorative front contacts the top shoulder bolts, lift up slightly and push decorative front toward fireplace until slots and bolts are engaged. Release the decorative front. The decorative front now hangs on the top two shoulder bolts.

Ensure the decorative front is properly attached and securely positioned on the appliance. See Figure 9.



Figure 9 Clean Face Front Installed

#### C. Finishing - All Models

Clean face front must be finished using a non-combustible finishing material. See Figure 10-11. Combustible and Non-combustible materials are defined below.

**WARNING! Risk of Fire! Non-combustible zone must be followed. Finishing materials must not extend above top surface of bottom panel. Failure to follow this instructions may result in a fire.**

**WARNING! Risk of Fire! A temporary plastic finishing strip is in place to keep finishing material from extending too high. Remove this finishing strip before firing unit.**

#### Non-Combustible Materials Specification

Material which will not ignite and burn. Such materials are those consisting entirely of steel, iron, brick, tile, concrete, slate, glass or plasters, or any combination thereof.

Materials that are reported as passing **ASTM E 136, Standard Test Method for Behavior of Materials in a Vertical Tube Furnace at 750° C**, shall be considered non-combustible materials.

#### Combustible Materials Specification

Materials made of or surfaced with wood, compressed paper, plant fibers, plastics, or other material that can ignite and burn, whether flame proofed or not, or whether plastered or unplastered shall be considered combustible materials.

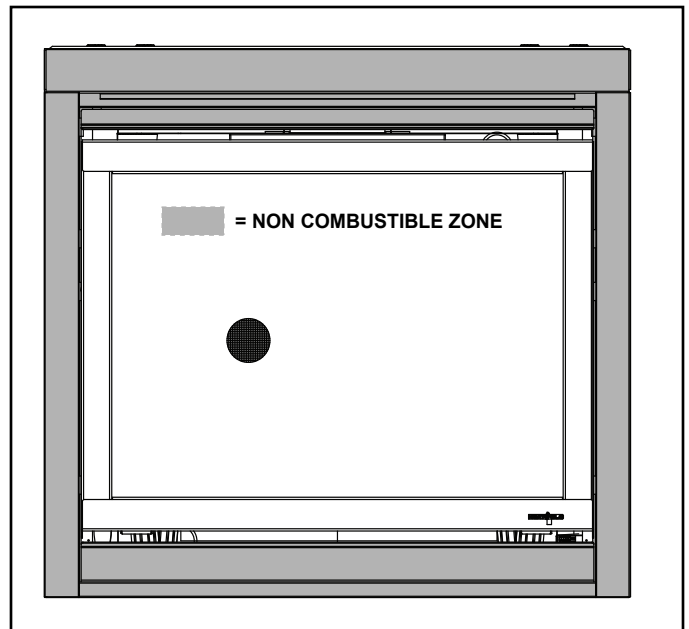


Figure 10 Slimline (SL-5/5F/5X, SL-7/7F/7X) Models Non Combustible Zone

## D. Service Parts List

DECORATIVE FRONTS	DESCRIPTION	PART NUMBER
CF-32-BK CF-32-NB CF-32-GT	Vanity Panel, CF	SRV2352-404-BK
CF-36-BK CF-36-NB CF-36-GT	Vanity Panel, CF	SRV2353-404-BK
CF-42-BK CF-42-NB CF-42-GT	Vanity Panel, CF	SRV2354-404-BK

### Cleaning Instructions for Decorative Fronts

Use a microfiber cloth and Windex® Original Glass Cleaner or 03M003 Stove Bright® Glass Cleaner to clean the door immediately after installation to remove acids deposited by the installer or technician. Spray the cleaner onto the microfiber cloth and carefully wipe the entire surface. The door should be cleaned in this manner annually by the homeowner to remove fingerprints or other contaminants. Once oxidation of the paint pigment has occurred, cleaning will not restore the original color.

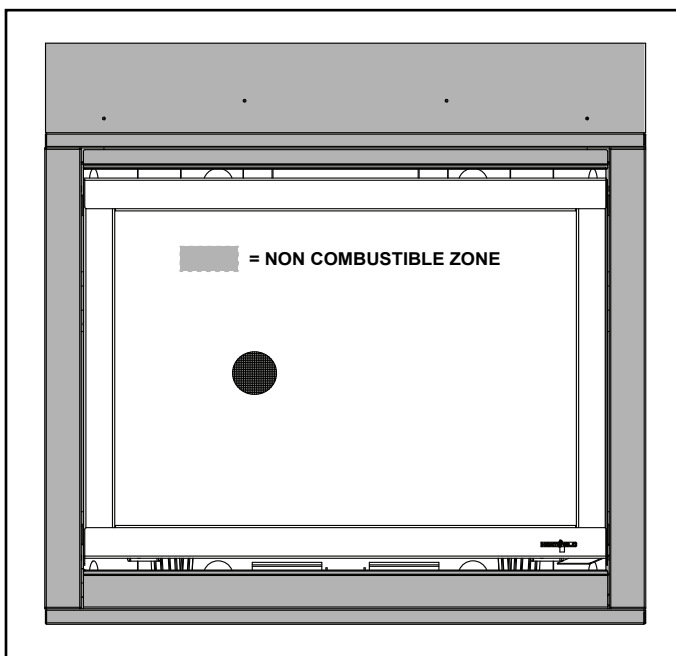


Figure 11 6000 / 8000 Models Non-Combustible Zone

Please contact your Hearth & Home Technologies dealer with any questions or concerns.

For the location of your nearest Hearth & Home Technologies dealer, please visit [www.hearthnhome.com](http://www.hearthnhome.com).

Hearth & Home Technologies  
7571 215th Street West, Lakeville, MN 55044  
[www.hearthnhome.com](http://www.hearthnhome.com)