



## Gallery Wall-Mounted Fireplaces

### Installing the fireplace into a wall as a built-in unit

Included in this kit-

- Wall Mounting Brackets (2)
- M5x10 Screws (4)
- Control button relocation module (1)



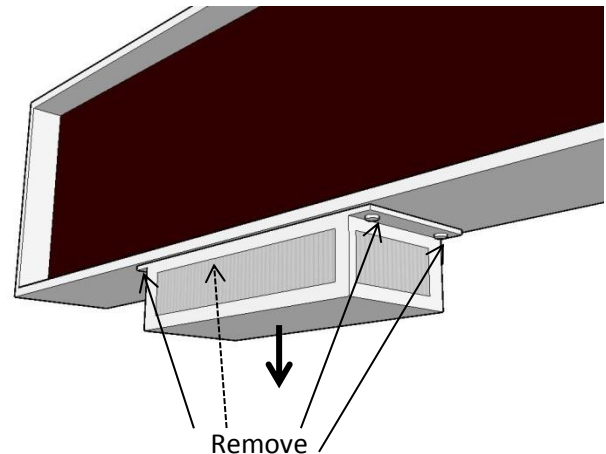
Tools Required-

- Philips Screwdriver or power drill with Philips tip (preferred)
- Leveling device

**NOTE: Heater unit may be removed or left attached to the fire box for this installation. Use the provided diagrams for clearances for each configuration.**

#### • Removing the heater unit (optional)

- Remove 4 screws from underside of heater unit
- Unplug the heater from the fire box by **squeezing** the **tabs** on the white quick connector plug and pulling downward. Set heater assembly aside or dispose of appropriately.



#### • Relocate Heat and lighting controls

- Remove the screws holding the access panel on the underside of the fire box on.
- There is a small quick connect plug inside this access panel. Plug the control module (included with this kit) into the quick connect plug and screw access panel back into place, threading wire through hole in access panel door.
- **Once fireplace is installed into a wall, the control button module can be mounted to the wall surface below it using a screw or a double-sided adhesive strip.**

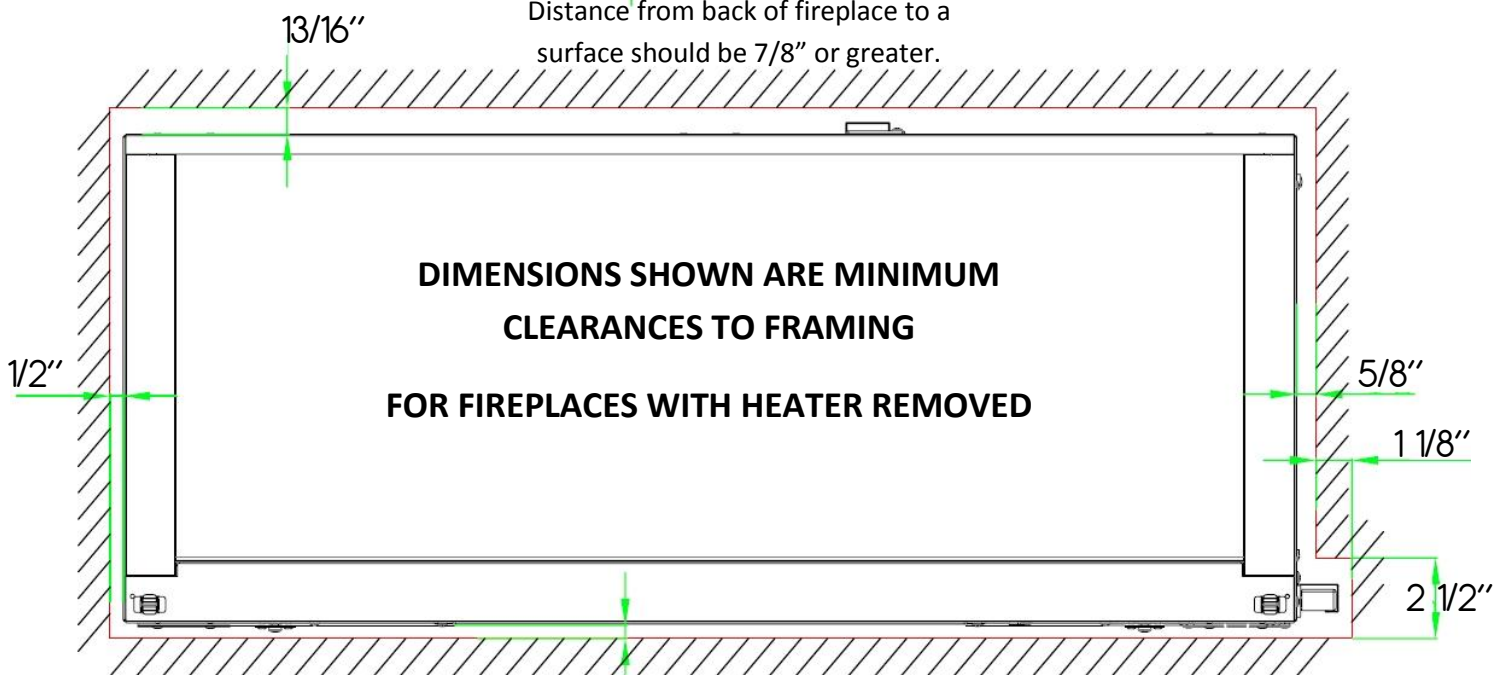
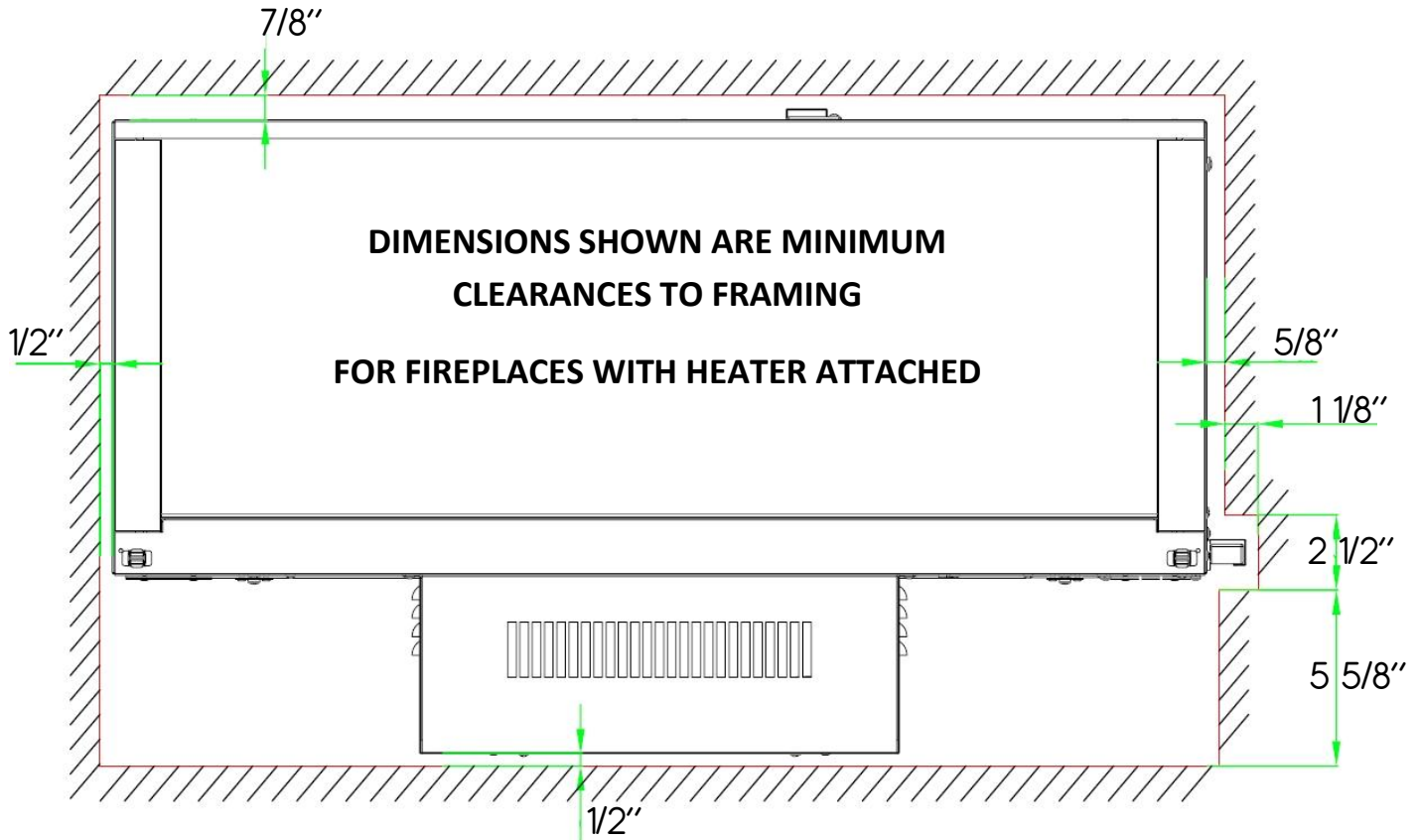


Remove screws



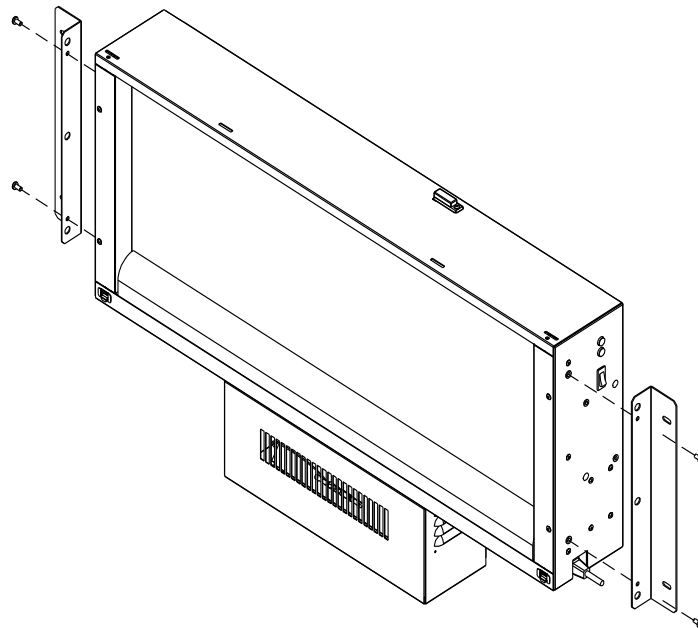
Connect control button module to fire box

- Prepare Your Wall for Installation
- **DO NOT CUT INTO ANY WALL WITHOUT FIRST ENSURING THAT THE AREA IS FREE OF HIDDEN ELECTRICAL, GAS, OR PLUMBING LINES. FAILURE TO DO SO COULD RESULT IN SERIOUS INJURY OR DEATH**
- With front glass removed, measure your fireplace. You can then use these measurements to select an appropriate spot on a wall for inserting your fireplace.
- Use framing clearance diagrams shown on the next page for appropriate cutout sizing.
- IF STUDS ARE NOT PRESENT ON LEFT AND RIGHT SIDES OF CUTOUT, STUDS OR OTHER INTERIOR SUPPORT SHOULD BE FABRICATED TO SUPPORT THE WEIGHT OF FIREPLACE. SEE DIAGRAM ON NEXT PAGE.

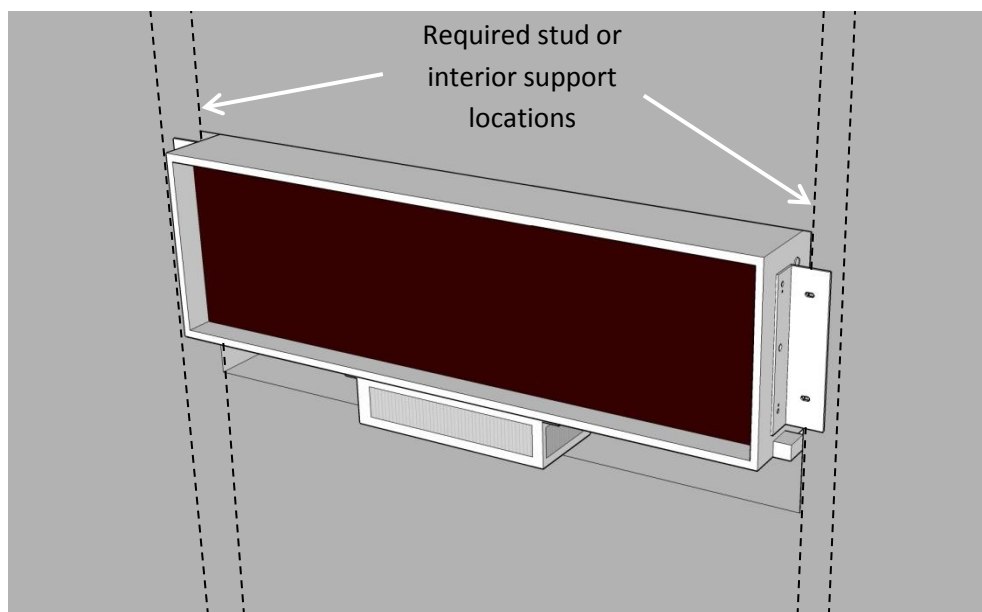


Once installed, the fireplace (including glass front) will protrude 2 5/8" from the wall surface.

- Installing the Firebox into a Wall
- Attach brackets to firebox as shown below using the supplied M5x10 screws



- Make any necessary electrical connections, either plugging the fireplace into an outlet located inside the wall, or a nearby outlet on the wall face. **DO NOT MODIFY OR CUT EXISTING WALL PLUG.**
- **BEFORE INSTALLING FIRE BOX INTO WALL, MAKE SURE THE MAIN POWER SWITCH ON THE RIGHT-HAND SIDE IS IN THE “ON” POSITION. IT WILL NOT BE ACCESSIBLE AFTER INSTALLATION.**
- Set firebox into cutout and ensure that it is level before attaching to the wall using appropriate screws for the wall material.
- With firebox in place, the control button module can be affixed to the wall directly below the cutout with a screw or double-sided adhesive strip. It should be mounted in a location where it will be hidden by the glass front panel.



- **Final Steps**

- Ensure that fire box is securely attached to the wall and that fasteners are tight.
- Scatter the decorative stones which were included with your fireplace across front tray.
- Glass front can be hung and front LED lighting cable can be reconnected at this time (If unfamiliar with this process, please see the owner's manual that came with your fireplace for full instructions)



- **Warranty Information**

In the unlikely event of a problem occurring due to a manufacturing fault within 24 months from the date of purchase of the appliance it will be repaired or replaced free of charge.

Damage to fireplaces or property caused by improper use or installation methods are not covered under this warranty.

If a problem should occur, the nature of the problem together with the date of a purchase should be immediately reported to the retailer that the appliance was purchased from. Proof of purchase will be required so the original receipt should be retained.

Warranty applies to the original owner only and is non-transferrable.

For more information, you can visit us online at [Http://www.GreatCo.com](http://www.GreatCo.com)

Or Call Us At: