





Timeless designs, indoors and out

First designed in 1950, the Jetmaster firebox has set the standard for radiant heat and flawless performance.

Whether you're building a new home, upgrading an existing chimney, or adding a fireplace to a living room or patio, a Jetmaster fireplace effortlessly enhances the style and value of any space.

Renowned for its versatility, it serves as a captivating indoor centerpiece. It's also impressively capable of transforming outdoor spaces with its wood-fired cooking functionality.

Bring the ambience and charm of an open wood fire to life in your home — both indoors or outside.

ABOVE — Photography by Derek Swalwell, design by Austin Design Associates
COVER — Photography by Derek Swalwell, design by Rob Kennon Architects

Add warmth, style and ambience

Transform your home with the timeless elegance and functionality of a Jetmaster fireplace.

With our zero clearance fireboxes, you can enjoy the charm of a wood fireplace without the need for a brick chimney or masonry work, making it an effortless addition to existing homes and new builds.

Maximise style and create a seamless connection between two areas with a double-sided fireplace. The innovative design of a double sided firebox separates your spaces while simultaneously enhancing the comfort and flow of your home.

With a wide array of design options and impressive heat output, a Jetmaster fireplace is more than a feature — it's a centrepiece that commands attention and elevates any interior.



LEFT — Photography by Sharyn Cairns, design by Fiona Lynch
BELOW — Photography by Cathy Schusler, design by Darren James Interiors





Artist's Impression

TOP LEFT — Freestanding Outdoor
 TOP RIGHT — Quadro Outdoor
 RIGHT — Contractor Braai Outdoor



Artist's Impression



Artist's Impression

A new dimension to outdoor living

Take outdoor entertaining to the next level with the Jetmaster fireplace and BBQ range.

Opt for the traditional Jetmaster Universal with its class-leading heat output, or choose a Jetmaster Contractor Braai as a striking centrepiece.

The Jetmaster Contractor Braai is a purpose-built BBQ designed for ultimate functionality. It features a charcoal starter and cooking grate, perfect for preparing meats. Once the cooking is done, it effortlessly transforms into a cosy fireplace. For added convenience, the weather-resistant cover protects it from the elements while keeping your outdoor area neat and stylish.

As the name suggests, the Jetmaster Quadro is a 4-in-1 masterpiece based off the 1050 Universal. It includes a built-in hot plate, cast iron griddle, cooking pot, and stone-base pizza oven, making it a centrepiece for hosting. Sharing the same dimensions as the Universal, it transitions seamlessly from a gourmet cooking station to a roaring open fireplace. The Quadro's versatility makes it the ultimate entertainer.

The Jetmaster difference

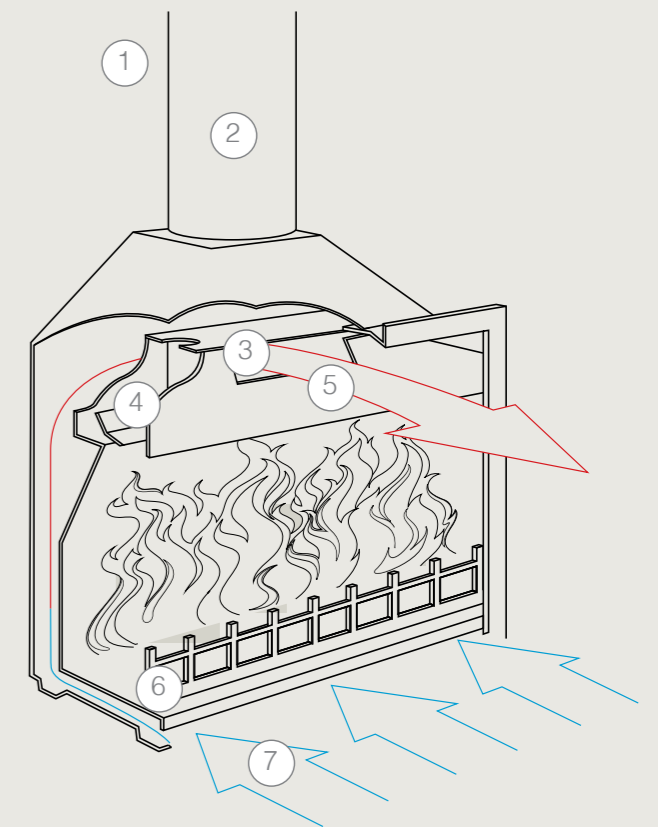
When you're ready to update your existing brick chimney with an elegant, modern look, our universal inserts make your fireplace upgrade process a breeze. How easy is it? We insert the appropriate sized Jetmaster firebox into your current brick fireplace, and use the existing chimney - no additional flue required.

The Jetmaster universal insert is brilliantly efficient with a slower burn rate and requires minimal cleaning compared to a traditional wood fire. Fuel burns down to a fine ash in the logpan which only requires skimming a few times a year depending on frequency of use.

This is how it works... cool air is drawn into the heating chamber, and as the air heats, it rises and is forced back out into the room (through a jet at the top of the unit), thus creating a convection process. The unit also incorporates a damper control, which controls the burn rate, reducing heat loss and maximizing overall efficiency, producing up to 4 times more heat than an average brick fireplace. A spark-proof and child proof flush fitting hook-on screen is also available.

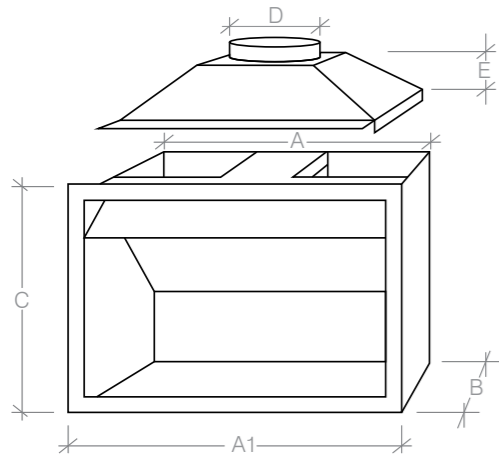


LEFT — Design by Woodward Architects
Shown with optional clean face logpan



1. Hot air rises and circulates for round the room comfort
2. Fumes go up the flue
3. Damper for controlled burning
4. Air passes into the heating chamber and is heated to maximum temperature over the hottest part of the fire
5. Rising hot air is forced through the jet and out into the room
6. Removable logpan
7. Air at room temperature is drawn into the inlet

Specifications



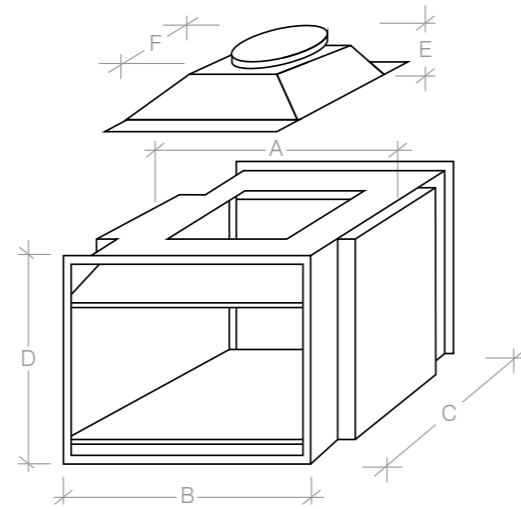
JETMASTER UNIVERSAL*

	A	A1	B	C	D	E
400	390	440	340	570	200	200
440	470	510	330	610	200	200
500	570	600	350	650	200	200
500 Low	570	600	350	600	200	200
500 Low Low	570	600	350	550	200	200
600	670	700	350	650	200	200
600 Low	670	700	350	600	200	200
600 Low Low	670	700	350	550	200	200
700SH	770	800	350	650	200	200
700SH Low	770	800	350	600	200	200
700D	770	800	400	700	225	200
700S Low Low	770	800	350	550	200	200
850	920	950	450	750	250	220
850 Low	920	950	450	700	250	220
850 Low Low	920	950	450	650	250	220
1050	1120	1150	500	800	300	240
1050 Low	1120	1150	500	750	300	240
1050 Low Low	1120	1150	500	700	300	240
1200	1250	1300	605	1020	250*	400
1500	1550	1600	605	1020	300*	400

Measurements in millimetres.

* Requires installation into brickwork.

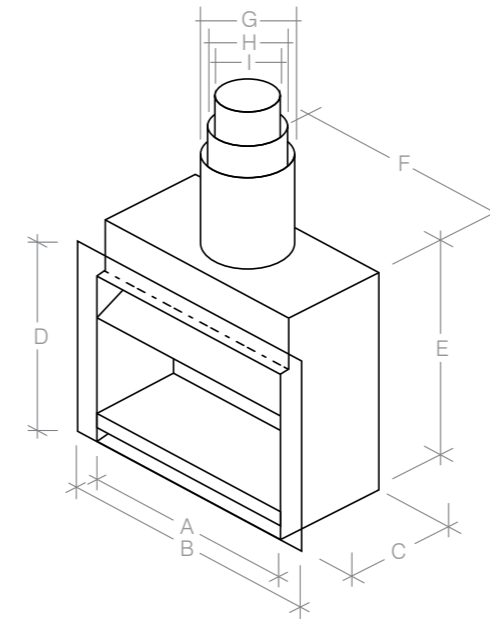
+ Requires 2 flue outlets (single flue option also available)



JETMASTER DOUBLE-SIDED

	A	B	C	D	E	F
700	850	800	610	700	220	345
1050 Low Low	1205	1150	600	680	233	455

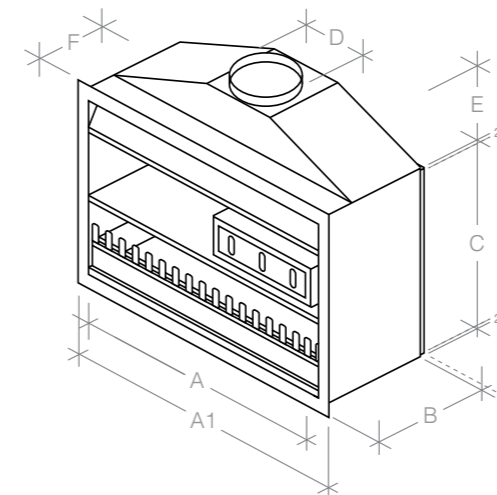
Measurements in millimetres.



JETMASTER ZERO CLEARANCE

	A	B	C	D	E	F	G	H	I
400/440	430	560	365	685	820		300	250	200
500	500	700	430	725	930	650	300	250	200
600	600	800	430	725	930	750	300	250	200
700SH	700	900	430	725	930	850	300	250	200
700D	700	900	475	775	985	850	325	275	225
850	850	1050	525	825	1060	1000	350	300	250
1050	1050	1250	570	825	1160	1200	400	350	300

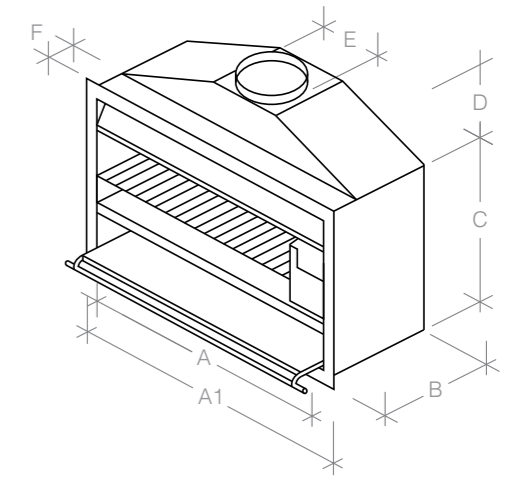
Measurements in millimetres.



JETMASTER QUADRO OUTDOOR BBQ

	A	A1	B	C	D	E	F
1050	1050	1150	502	850	300/ 400	240	350

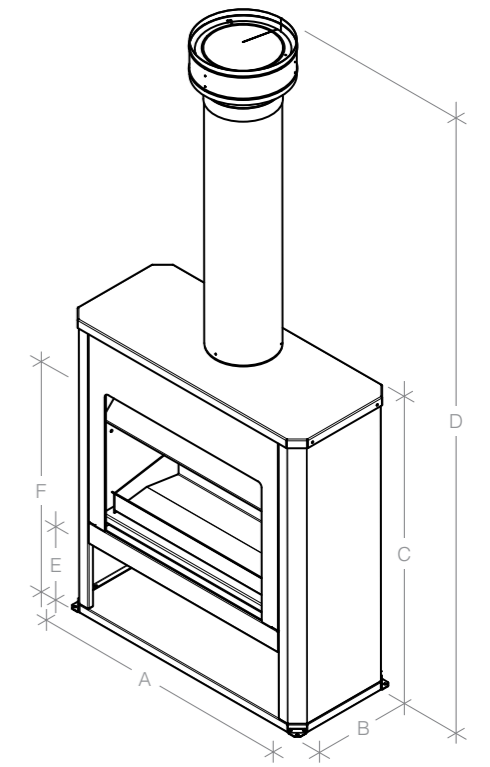
Measurements in millimetres.



JETMASTER CONTRACTOR BRAAI

	A	A1	B	C	D	E	F
1000	1000	1100	450	685	240	250	200
1200	1200	1300	450	685	240	300	150

Measurements in millimetres.



JETMASTER OUTDOOR FREESTANDING

	A	B	C	D	E	F
1234	1234	518	1378	2771	452	1099

Measurements in millimetres.



www.jetmastervic.com.au

Disclaimer: Whilst Jetmaster makes every effort for accuracy, some finishes in this brochure may vary from actual product.

