





ABOVE — Photography by Derek Swalwell, design by Austin Design Associates
COVER — Photography by Derek Swalwell, design by Rob Kennon Architects

Timeless design

First designed in 1950, the Jetmaster firebox provides impressive radiant heat and draws perfectly. Suitable for new builds and existing chimneys, a Jetmaster fireplace adds immediate value and style to any home.

Available in 20 different sizes, the Jetmaster open wood fireplace creates a striking centre piece in any room. Delivering radiant heat via its unique convection system, a Jetmaster fireplace gives you the ambiance and feel that only a real open wood fireplace can deliver.

Jetmaster fireplaces - brilliant heat, beautiful to watch.

Simply Brilliant

If you wish to add a fireplace to your home where there isn't one in place already, our zero clearance installation option allows you to do so with clean, safe options to fit your space.

Our zero clearance units simply fit into a timber framework, giving you complete design flexibility. Perfect for new builds and existing homes, a zero clearance firebox offers all the benefits of an open wood fireplace without the need for a brick chimney or masonry installation.



LEFT — Photography by Sharyn Cairns, design by Fiona Lynch
BELOW — Photography by Alex Reinders, design by Austin Design Associates





Double sided firebox

*A centrepiece for two spaces?
The Jetmaster double sided fireplace
has you covered, from both rooms.*

The Jetmaster double sided fireplace is the perfect way to integrate two living areas with impressive warmth, style and ambiance. Enjoy a stunning and functional feature that creates a subtle flow between spaces.

Offering a wide range of design possibilities and generous heat output, the Jetmaster fireplace is sure to capture the eye. Heat separate spaces simultaneously with a double sided fireplace.

ABOVE — Photography by Cathy Schusler, design by Darren James Interiors

The Jetmaster difference

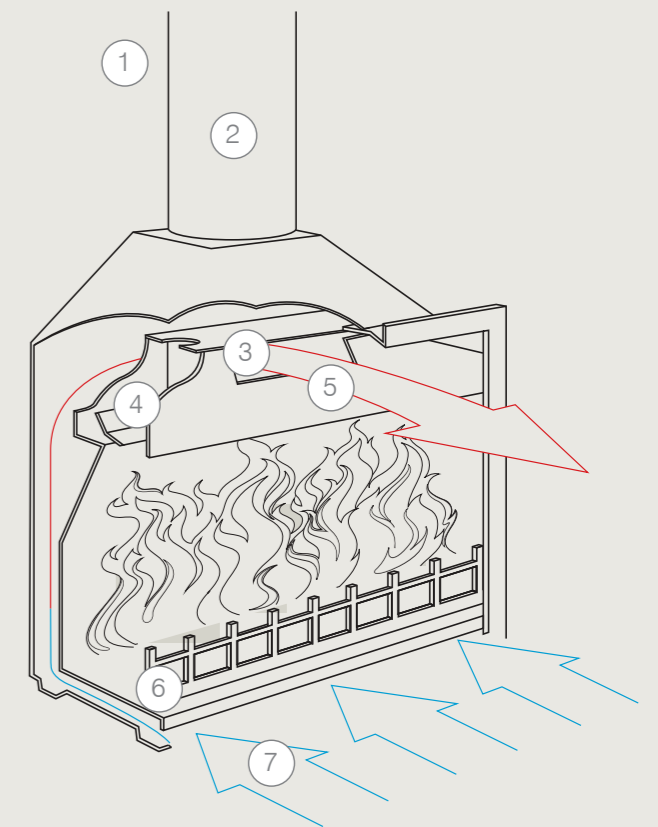
When you're ready to update your existing brick chimney with an elegant, modern look, our universal inserts make your fireplace upgrade process a breeze. How easy is it? We insert the appropriate sized Jetmaster firebox into your current brick fireplace, and use the existing chimney - no additional flue required.

The Jetmaster universal insert is brilliantly efficient with a slower burn rate and requires minimal cleaning compared to a traditional wood fire. Fuel burns down to a fine ash in the logpan which only requires skimming a few times a year depending on frequency of use.

This is how it works... cool air is drawn into the heating chamber, and as the air heats, it rises and is forced back out into the room (through a jet at the top of the unit), thus creating a convection process. The unit also incorporates a damper control, which controls the burn rate, reducing heat loss and maximizing overall efficiency, producing up to 4 times more heat than an average brick fireplace. A spark-proof and child proof flush fitting hook-on screen is also available.

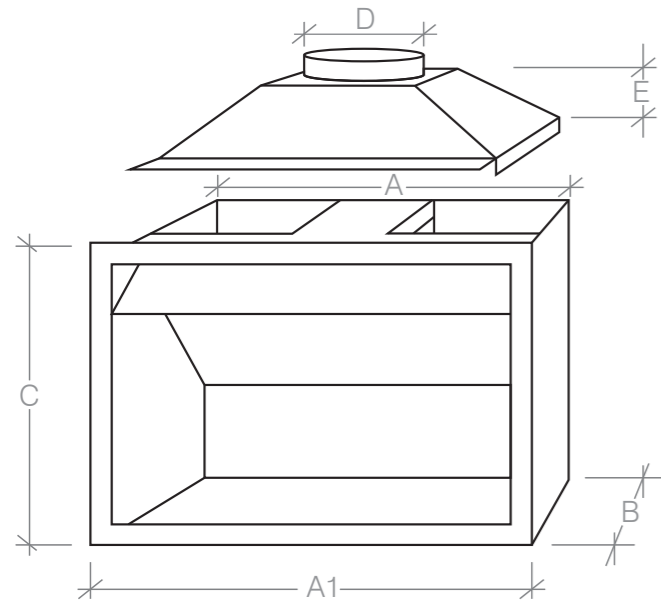


LEFT — Photography by Sean Fennessy, design by Studio Esteta



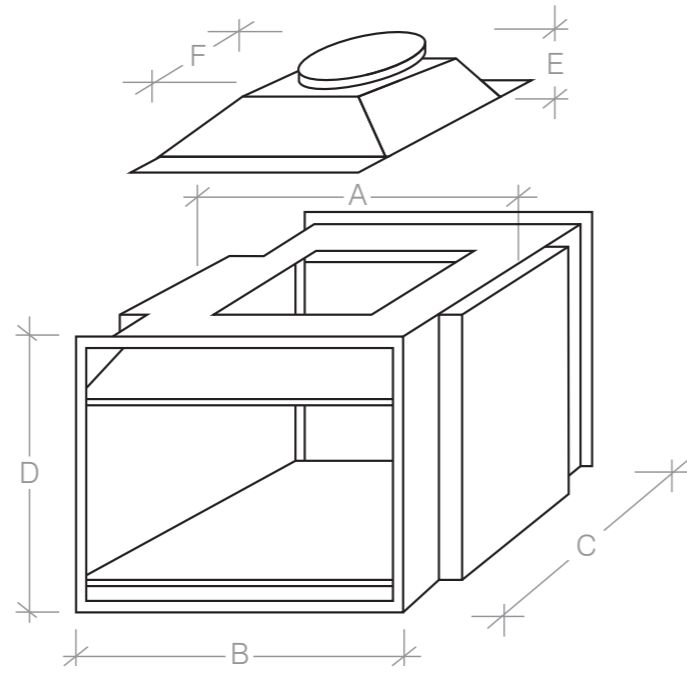
1. Hot air rises and circulates for round the room comfort
2. Fumes go up the flue
3. Damper for controlled burning
4. Air passes into the heating chamber and is heated to maximum temperature over the hottest part of the fire
5. Rising hot air is forced through the jet and out into the room
6. Removable logpan
7. Air at room temperature is drawn into the inlet

Specifications



JETMASTER UNIVERSAL*

	A	A1	B	C	D	E
400[^]	400	440	340	570	200	200
440	470	510	330	610	200	200
500	570	600	350	650	200	200
500 Low	570	600	350	600	200	200
500 Low Low	570	600	350	550	200	200
600	670	700	350	650	200	200
600 Low	670	700	350	600	200	200
600 Low Low	670	700	350	550	200	200
700SH	770	800	350	650	200	200
700SH Low	770	800	350	600	200	200
700D	770	800	400	700	225	200
850	920	950	450	750	250	220
850 Low	920	950	450	700	250	220
850 Low Low	920	950	450	650	250	220
1050	1120	1150	500	800	300	240
1050 Low	1120	1150	500	750	300	240
1050 Low Low	1120	1150	500	700	300	240
1200	1250	1300	605	1020	250 ⁺	400
1500	1550	1600	605	1020	300 ⁺	400



JETMASTER DOUBLE-SIDED

	A	B	C	D	E	F
700	850	800	610	700	220	345
1050 Low Low	1205	1150	610	630	233	415

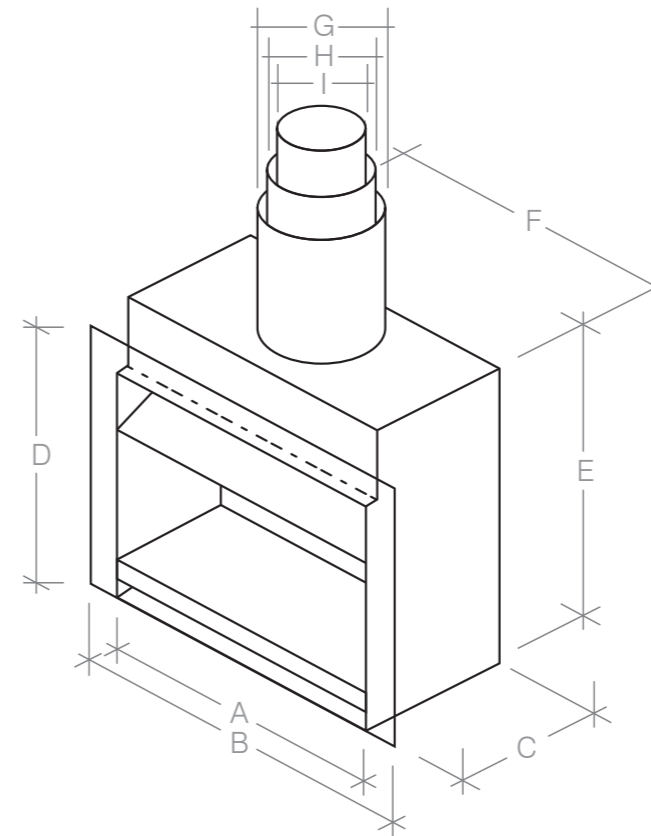
Measurements in millimetres.

Measurements in millimetres.

* Requires installation into brickwork.

+ Requires 2 flue outlets (single flue option also available)

[^] Log pan does not have picket front (400 model only)



JETMASTER ZERO CLEARANCE

	A	B	C	D	E	F	G	H	I
400/440	430	560	365	685	820		300	250	200
500	500	700	430	725	930	650	300	250	200
600	600	800	430	725	930	750	300	250	200
700SH	700	900	430	725	930	850	300	250	200
700D	700	900	475	775	985	850	325	275	225
850	850	1050	525	825	1060	1000	350	300	250
1050	1050	1250	570	825	1160	1200	400	350	300

Measurements in millimetres.



www.jetmastervic.com.au

Disclaimer: Whilst Jetmaster makes every effort for accuracy, some finishes in this brochure may vary from actual product.