

Installation Manual

Installation and Appliance Setup

INSTALLER: Leave this manual with party responsible for use and operation.

OWNER: Retain this manual for future reference.

NOTICE: DO NOT discard this manual!

HEAT & GLO

No one builds a better fire



Models:

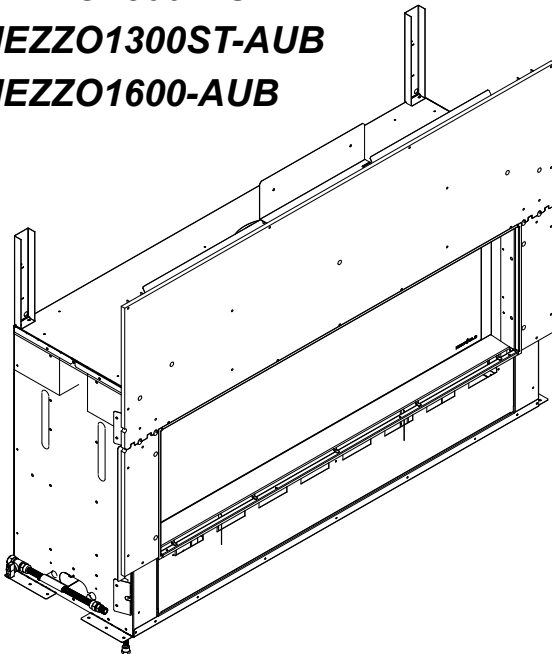
MEZZO1000-AUB

MEZZO1300-AUB

MEZZO1300ST-AUB

MEZZO1600-AUB

Ref No: **GMK10222**
AS/NZS 5263.1.3



NOTE: NOT INTENDED FOR
FIREPLACE INSERT.

⚠ WARNING:

FIRE OR EXPLOSION HAZARD

Failure to follow safety warnings exactly could result in serious injury, death, or property damage.

- **DO NOT** store or use gasoline or other flammable vapors and liquids in the vicinity of this or any other appliance.
- **What to do if you smell gas**
 - **DO NOT** try to light any appliance.
 - **DO NOT** touch any electrical switch. **DO NOT** use any phone in your building.
 - Leave the building immediately.
 - Immediately call your gas supplier from a neighbor's phone. Follow the gas supplier's instructions.
 - If you cannot reach your gas supplier, call the fire department.
- Installation and service must be performed by a qualified installer, service agency, or the gas supplier.

⚠ DANGER



**HOT GLASS WILL
CAUSE BURNS.**

**DO NOT TOUCH GLASS
UNTIL COOLED.**

**NEVER ALLOW CHILDREN
TO TOUCH GLASS.**

A barrier designed to reduce the risk of burns from the hot viewing glass is provided with this appliance and shall be installed for the protection of children and other at-risk individuals.

DO NOT PLACE ARTICLES ON OR AGAINST THIS APPLIANCE.

DO NOT USE OR STORE FLAMMABLE MATERIALS NEAR THIS APPLIANCE.

DO NOT SPRAY AEROSOLS IN THE VICINITY OF THIS APPLIANCE WHILE IT IS IN OPERATION.

DO NOT MODIFY THIS APPLIANCE.

▲ Safety Alert Key:

- **DANGER!** Indicates a hazardous situation which, if not avoided will result in death or serious injury.
- **WARNING!** Indicates a hazardous situation which, if not avoided could result in death or serious injury.
- **CAUTION!** Indicates a hazardous situation which, if not avoided, could result in minor or moderate injury.
- **NOTICE:** Used to address practices not related to personal injury.

Table of Contents

| | |
|--|---|
| Installation Standard Work Checklist | 3 |
|--|---|

1 Product Specific and Important Safety Information

| | |
|--|---|
| A. Appliance Certification | 4 |
| B. Glass Specifications | 4 |
| C. Gas Pressure Requirements | 4 |
| D. High Altitude Installations | 5 |
| E. Non-Combustible Materials Specification | 5 |
| F. Combustible Materials Specification | 5 |
| G. Electrical Codes | 5 |

2 Getting Started

| | |
|---|---|
| A. Design and Installation Considerations | 6 |
| B. Good Faith Wall Surface/TV Guidelines | 6 |
| C. Tools and Supplies Needed | 6 |
| D. Inspect Appliance and Components | 7 |

3 Framing and Clearances

| | |
|--|----|
| A. Appliance/Decorative Front Dimension Diagrams | 8 |
| B. Clearances to Combustibles | 12 |
| → C. Constructing the Appliance Chase | 13 |
| D. Floor Protection | 16 |
| → E. Vinyl Flooring | 16 |

4 Termination Location and Vent Information

| | |
|--|----|
| A. Vent Termination Minimum Clearances | 17 |
| B. Chimney Diagram | 18 |
| C. Approved Pipe | 19 |
| D. Use of Elbows | 19 |
| E. Measuring Standards | 19 |
| F. Exhaust Restrictor Instructions | 19 |
| G. Vent Diagrams | 20 |
| H. Power Vent Configurations | 27 |

5 Vent Clearances and Framing

| | |
|---|----|
| A. Pipe Clearances to Combustibles | 28 |
| B. Wall Penetration Framing/Firestops | 28 |
| C. Install the Ceiling Firestop | 29 |
| D. Install Attic Insulation Shield | 29 |
| E. Installing the Optional Heat-Zone® Kit | 30 |

6 Appliance Preparation

| | |
|--|----|
| A. Top Standoff Preparaton | 33 |
| B. Vent Collar Preparation | 33 |
| C. Securing and Leveling the Appliance | 34 |

| | |
|---|----|
| D. Installing Non-Combustible Facing Material | 35 |
|---|----|

7 Venting and Chimneys

| | |
|--|----|
| A. Assemble Vent Sections | 36 |
| B. Assemble Slip Sections | 37 |
| C. Secure The Vent Sections | 37 |
| D. Disassemble Vent Sections | 38 |
| E. Vertical Termination Requirements | 39 |
| F. Horizontal Termination Requirements | 40 |

8 Electrical Information

| | |
|----------------------------------|----|
| A. General Information | 42 |
| B. Wiring Requirements | 43 |

9 Gas Information

| | |
|--|----|
| A. Fuel Conversion | 44 |
| B. Gas Pressure | 44 |
| C. Gas Service Access | 44 |
| D. Gas Connection | 46 |
| E. High Altitude Installations | 46 |
| F. Air Shutter Setting | 47 |

10 Finishing

| | |
|--|----|
| A. Facing and Finishing Instructions | 48 |
| B. Mantel and Wall Projections | 53 |
| C. Decorative Front Dimensions for Finishing | 54 |

11 Appliance Setup

| | |
|---|----|
| A. Fixed Glass Assembly | 55 |
| B. Remove the Shipping Materials/Install Vanity Panel | 55 |
| C. Clean the Appliance | 55 |
| D. Install Glass Refractory Panels | 56 |
| E. Install Media | 58 |
| F. Install Log Set | 60 |
| G. Appliance Operation | 60 |

12 Reference Materials

| | |
|---------------------------------------|----|
| A. Vent Components Diagrams | 61 |
| B. Accessories | 65 |

→ = Contains updated information.

Installation Standard Work Checklist

ATTENTION INSTALLER: Follow this Standard Work Checklist

This standard work checklist is to be used by the installer in conjunction with, not instead of, the instructions contained in this installation manual.

| | |
|--|--|
| Customer: _____ | Date Installed: _____ |
| Lot/Address: _____ | Location of Fireplace: _____ |
| | Installer: _____ |
| Model (circle one): MEZZO1000-AUB, MEZZO1300-AUB, MEZZO1600-AUB, MEZZO1300ST-AUB | Dealer/Distributor Phone #: _____ |
| | Serial #: _____ |

WARNING! Risk of Fire or Explosion! Failure to install appliance according to these instructions can lead to a fire or explosion.

| Appliance Install Sections 3 and 6 | YES | IF NO, WHY? |
|--|--------------------------|--------------------|
| Verified that the chase is insulated and sealed. (Pg. 13) | <input type="checkbox"/> | _____ |
| Required factory included non-combustible board is in place. (Pg. 34) | <input type="checkbox"/> | _____ |
| Verified clearances to combustibles. (Pg. 12-15) | <input type="checkbox"/> | _____ |
| Fireplace is leveled and secured. (Pg. 33) | <input type="checkbox"/> | _____ |
| Pipe heat shield is attached to header. Header no wider than 3.5 in. (2x4) (Pg. 32) | <input type="checkbox"/> | _____ |
| Venting/Chimney Sections 4, 5 and 7 | | |
| Venting configuration complies to vent diagrams. (Pg. 17-26) | <input type="checkbox"/> | _____ |
| Venting installed, locked, and secured in place with proper clearance. | <input type="checkbox"/> | _____ |
| Firestops installed. (Section 5) | <input type="checkbox"/> | _____ |
| Attic insulation shield installed. (Pg. 28) | <input type="checkbox"/> | _____ |
| Exterior wall/Roof flashing installed and sealed. (Section 7) | <input type="checkbox"/> | _____ |
| Terminations installed and sealed. (Section 7) | <input type="checkbox"/> | _____ |
| Electrical Section 8 (Pg. 41-42) | | |
| Unswitched power (220/240 VAC) provided to the appliance. | <input type="checkbox"/> | _____ |
| Switch wires properly installed. | <input type="checkbox"/> | _____ |
| Gas Section 9 (Pg. 43-46) | | |
| Proper appliance for fuel type. | <input type="checkbox"/> | _____ |
| Was a conversion performed? | <input type="checkbox"/> | _____ |
| Leak check performed and inlet pressure verified. | <input type="checkbox"/> | _____ |
| Verified proper air shutter setting for installation type. | <input type="checkbox"/> | _____ |
| Finishing Section 10 (Pg. 47-53) | | |
| Combustible materials not installed in non-combustible areas. | <input type="checkbox"/> | _____ |
| Verified all clearances meet installation manual requirements. | <input type="checkbox"/> | _____ |
| Finishing done correctly using inside fit or overlap fit method. | <input type="checkbox"/> | _____ |
| Finishing template removed. | <input type="checkbox"/> | _____ |
| Mantels and wall projections comply with installation manual requirements. | <input type="checkbox"/> | _____ |
| Appliance Setup Section 11 (Pg. 54-59) | | |
| All packaging and protective materials removed (inside & outside of appliance). | <input type="checkbox"/> | _____ |
| Refractories and media installed correctly. | <input type="checkbox"/> | _____ |
| Glass assembly installed and secured. | <input type="checkbox"/> | _____ |
| Accessories installed properly. | <input type="checkbox"/> | _____ |
| Decorative front properly installed. | <input type="checkbox"/> | _____ |
| Manual bag and all of its contents are removed from inside/under the appliance and given to party responsible for use and operation. | <input type="checkbox"/> | _____ |
| Started appliance and verified no gas leaks exist. | <input type="checkbox"/> | _____ |
| Lights work in all switched positions (if so equipped). | <input type="checkbox"/> | _____ |
| Component heat shield is installed. (Pg. 41) | <input type="checkbox"/> | _____ |

Hearth & Home Technologies recommends the following:

- Photographing the installation and copying this checklist for your file.
- That this checklist remain visible at all times on the appliance until the installation is complete.

Comments: Further description of the issues, who is responsible (Installer/ Builder/ Other Trades, etc) and corrective action needed _____

Comments Communicated to party responsible _____ by _____ on _____
(Builder / Gen. Contractor/) (Installer) (Date)

→ = Contains updated information. 2304-975B 3/16

1 Product Specific and Important Safety Information

A. Appliance Certification

MODEL: MEZZO1000-AUB, MEZZO1300-AUB,
MEZZO1300ST-AUB, MEZZO1600-AUB
LABORATORY: IAPMO OCEANA
TYPE: Gas Space Heating Appliance
STANDARD: AS/NZS 5263.1.3

This product is tested and approved as a gas space heating appliance.

This appliance must be installed in accordance with the AS/NZS 5601.1 rules in force.

NOT INTENDED FOR USE AS A PRIMARY HEAT SOURCE.
This appliance is tested and approved as either supplemental room heat or as a decorative appliance. It should not be factored as primary heat in residential heating calculations.

B. Glass Specifications

This appliance is equipped with 5 mm ceramic glass. Replace glass only with 5 mm ceramic glass. Please contact your dealer for replacement glass.

C. Gas Pressure Requirements

Pressure requirements for MEZZO-AUB fireplaces are shown in table below.

Two taps are provided on the right hand side of the gas control for a test gauge connection to measure the inlet and outlet pressures.

The fireplace and its individual shut-off valve must be disconnected from the gas supply piping system during any pressure testing of the system at test pressures in excess of 3.4 kPa.

If the fireplace must be isolated from the gas supply piping system by closing an individual shut-off valve, it must be of the handle-less type.

NOTE: An inline fuel pressure regulator is recommended to limit NG inlet pressure to 2.49 kPa, and LP/ULPG inlet pressure to 3.25 kPa, to ensure optimum product performance. The inline fuel pressure regulator may be needed if any of the following symptoms exist: pilot jetting, a highly visible pilot flame, flame variation, etc. The inline pressure regulator should be installed in the gas line upstream of the appliance gas valve either at the appliance or in the utility room. Final main and manifold gas pressure must be tested with inline pressure regulator installed.

| | MEZZO1000-AUB | | MEZZO1300-AUB, MEZZO1300ST-AUB | | MEZZO1600-AUB | |
|----------------------------------|-----------------------|-----------------------|-----------------------------------|--------------------------|-----------------------|-----------------------|
| | NATURAL GAS | ULPG | NATURAL GAS | ULPG | NATURAL GAS | ULPG |
| Inlet Gas Pressure | 1.13 - 3.40 kPa | 2.75 - 3.40 kPa | 1.13 - 3.40 kPa | 2.75 - 3.40 kPa | 1.13 - 3.40 kPa | 2.75 - 3.40 kPa |
| * Outlet (Manifold) Gas Pressure | 0.76 kPa | 2.40 kPa | 0.76 kPa | 2.40 kPa | 0.76 kPa | 2.40 kPa |
| Max. Gas Consumption | 30.68 MJ/h | 32.05 MJ/h | 39.22 MJ/h | 39.69 MJ/h (39.69 ST) | 47.51 MJ/h | 44.65 MJ/h |
| Min. Gas Consumption | 22.70 MJ/h | 23.22 MJ/h | 29.63 MJ/h | 28.68 MJ/h (28.82 ST) | 36.30 MJ/h | 32.54 MJ/h |
| Burner Injector DMS (mm) | #36 (2.71 mm) | #52 (1.61 mm) | .124 in. (3.15 mm) | #49 (1.85 mm) | #28 (3.57 mm) | #48 (1.93 mm) |
| Pilot Injector | .023 in. (.584 mm) | .010 in. (.254 mm) | .023 in. (.584 mm) | .010 in. (.254 mm) | .023 in. (.584 mm) | .010 in. (.254 mm) |

* The allowable Outlet (Manifold) Gas Pressure ranges are: Natural Gas 0.63 - .95 kPa (0.76 kPa nominal) and Propane, ULPG 2.37 - 2.61 kPa (2.40 kPa nominal). Certification testing setpoint values are shown.

NOTE: The gas control valve supplied with this product is approved for a maximum inlet pressure of **3.40 kPa**. For pressures over **3.40 kPa**, an in line pressure regulator must be installed upstream from the gas control valve.

NOTE: To achieve the listed nominal gas consumption for natural gas appliances in areas of reduced inlet pressure (1.13 - 1.30 kPa) it may be necessary to remove the gas shut-off valve and flexible gas line assembly up stream of the gas valve and supply directly into the gas valve. If the provided assembly is removed, it is recommended that a new gas shut-off be installed inside the envelope of the appliance before the gas valve.

D. High Altitude Installations

NOTICE: *If the heating value of the gas has been reduced, these rules do not apply. Check with your local gas utility or authorities having jurisdiction.*

When installing above 2000 ft. (610 m) elevation:

Reduce input rate 4% for each 1000 ft. (305 m) above 2000 ft. (610 m).

E. Non-Combustible Materials Specification

Material which will not ignite and burn. Such materials are those consisting entirely of steel, iron, brick, tile, concrete, slate, glass or plasters, or any combination thereof.

Materials that are reported as passing **ASTM E 136, Standard Test Method for Behavior of Materials in a Vertical Tube Furnace at 750 °C (1382 °F)** shall be considered non-combustible materials.

F. Combustible Materials Specification

Materials made of or surfaced with wood, compressed paper, plant fibers, plastics, or other material that can ignite and burn, whether flame proofed or not, or plastered or unplastered shall be considered combustible materials.

G. Electrical Codes

All electrical safety testing has been done following the EN 60335-2-102 standard. Local codes apply.

2 Getting Started

A. Design and Installation Considerations

Heat & Glo direct vent gas appliances are designed to operate with all combustion air siphoned from outside of the building and all exhaust gases expelled to the outside. No additional outside air source is required.

Installation **MUST** comply with local, regional, state and national codes and regulations. Consult insurance carrier, local building inspector, fire officials or authorities having jurisdiction over restrictions, installation inspection and permits.

Before installing, determine the following:

- Where the appliance is to be installed.
- The vent system configuration to be used.
- Gas supply piping.
- Electrical wiring requirements.
- Framing and finishing details.
- Whether optional accessories—devices such as a wall switch or remote control—are desired.

Installation and service of this appliance should be performed by qualified personnel. Hearth & Home Technologies recommends HHT Factory Trained or NFI certified professionals.



Improper installation, adjustment, alteration, service or maintenance can cause injury or property damage. For assistance or additional information, consult a qualified service technician, service agency or your dealer.

B. Good Faith Wall Surface/TV Guidelines

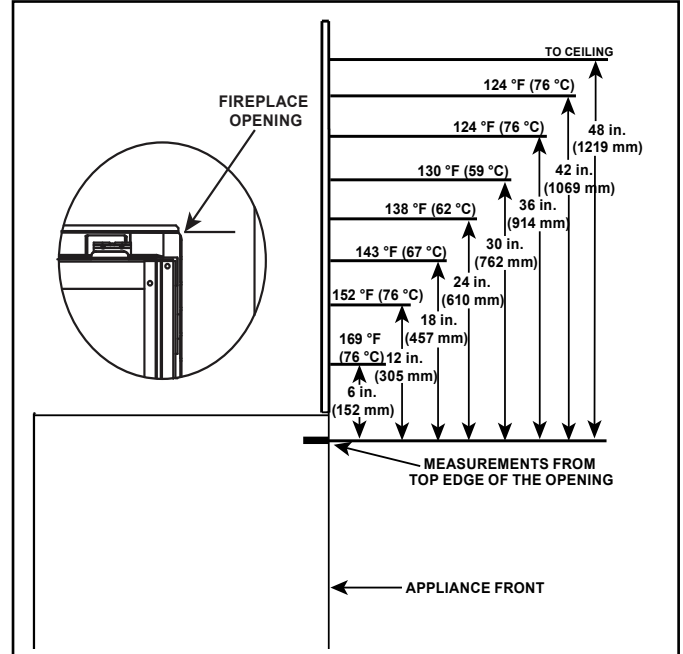


Figure 2.1. Good Faith Wall Surface Temperatures Above Appliance

NOTICE: Temperatures listed above are taken with a temperature measuring probe as prescribed by the test standard used for appliance certification. Temperatures on walls or mantels taken with an infrared thermometer may yield increased temperatures of up to 30 degrees or more depending on the thermometer settings and material characteristics being measured.

C. Tools and Supplies Needed

Before beginning the installation be sure that the following tools and building supplies are available.

- | | |
|--|---|
| Tape measure | Framing material |
| Pliers | Non-corrosive leak check solution |
| Hammer | Phillips screwdriver |
| Gloves | Framing square |
| Voltmeter | Electric drill and bits (1/4 in. (6 mm) magnetic) |
| Plumb line | Safety glasses |
| Level | Reciprocating saw |
| Manometer | Flat blade screwdriver |
| 1/2 - 3/4 in. (13-19 mm) length, #6 or #8 Self-drilling screws | |
| Caulking material (300 °F (149 °C) minimum continuous exposure rating) | |

D. Inspect Appliance and Components

- Carefully remove the appliance and components from the packaging.
- The vent system components and decorative doors and fronts may be shipped in separate packages.
- If packaged separately, the media, refractory, and/or optional log kits must be installed.
- Report to your dealer any parts damaged in shipment, particularly the condition of the glass.
- **Read all of the instructions before starting the installation. Follow these instructions carefully during the installation to ensure maximum safety and benefit.**

WARNING! Risk of Fire or Explosion! Damaged parts could impair safe operation. **DO NOT** install damaged, incomplete or substitute components. Keep appliance dry.

Hearth & Home Technologies disclaims any responsibility for, and the warranty will be voided by, the following actions:

- Installation and use of any damaged appliance or vent system component.
- Modification of the appliance or vent system.
- Installation other than as instructed by Hearth & Home Technologies.
- Improper positioning of the gas logs or the glass door.
- Installation and/or use of any component part not approved by Hearth & Home Technologies.

Any such action may cause a fire hazard.

WARNING! Risk of Fire, Explosion or Electric Shock! **DO NOT** use this appliance if any part has been under water. Call a qualified service technician to inspect the appliance and to replace any part of the control system and/or gas control which has been under water.

3 Framing and Clearances

A. Appliance/Decorative Front Dimension Diagrams

Dimensions are actual appliance dimensions. Use for reference only. For framing dimensions and clearances refer to Section 5.

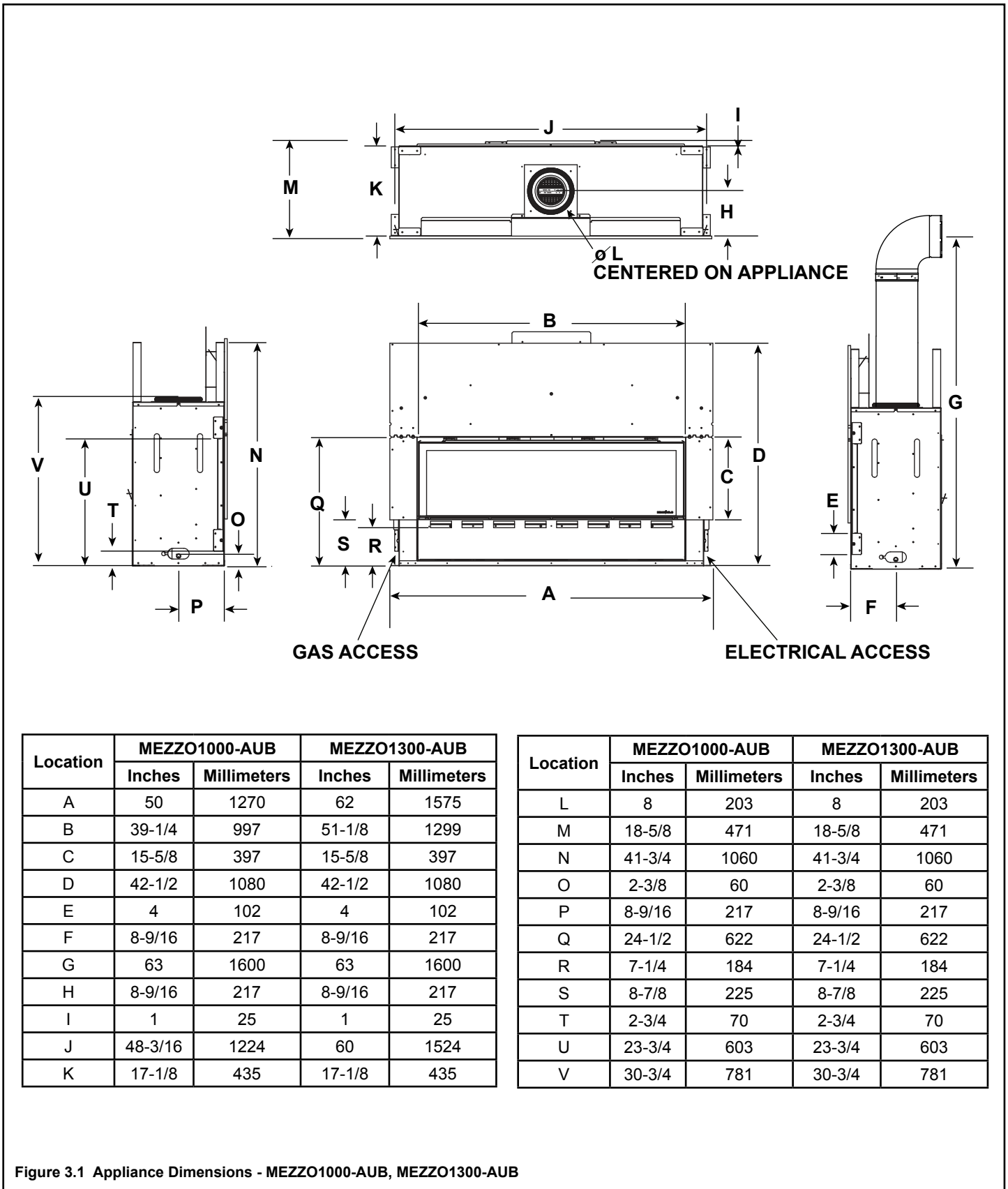
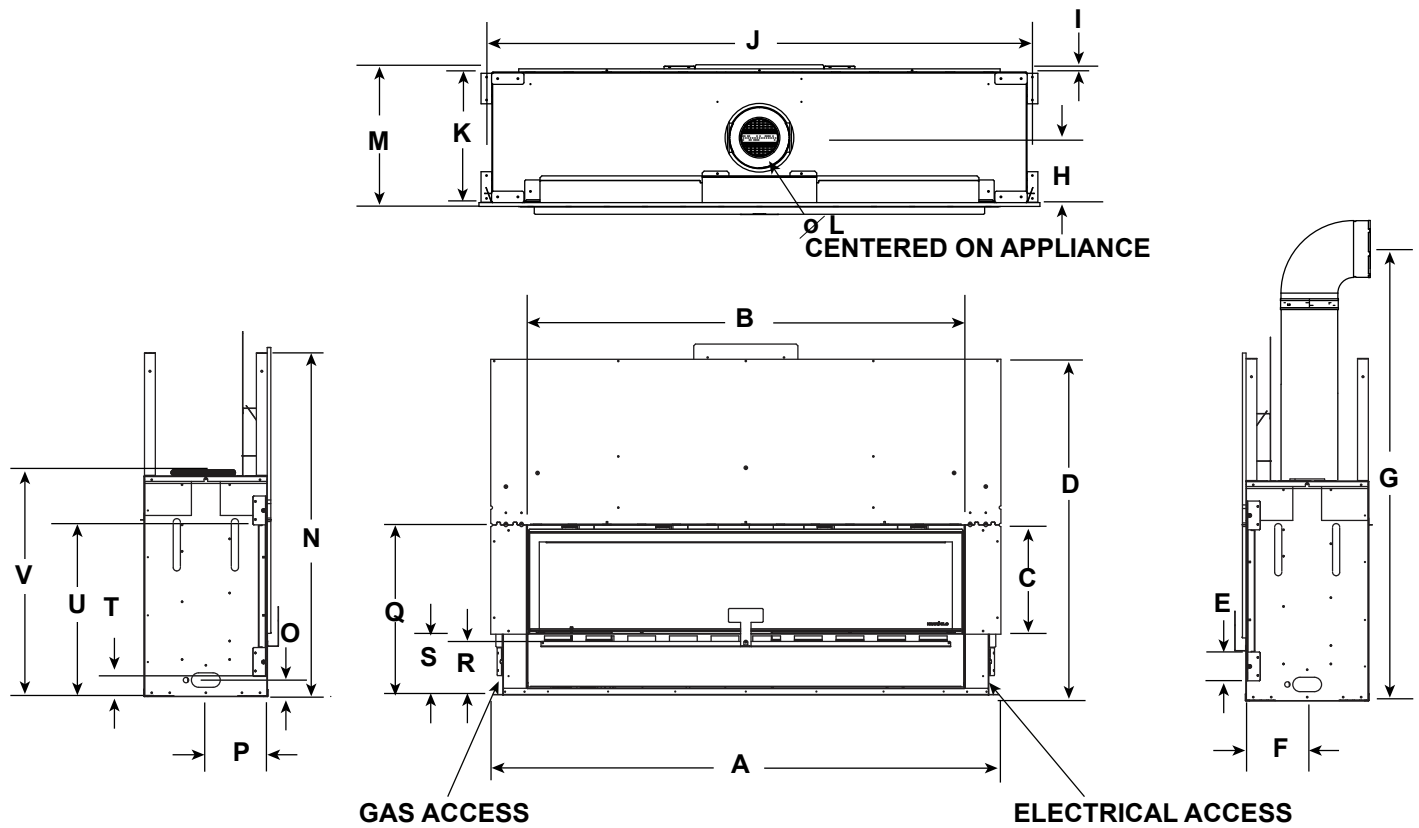


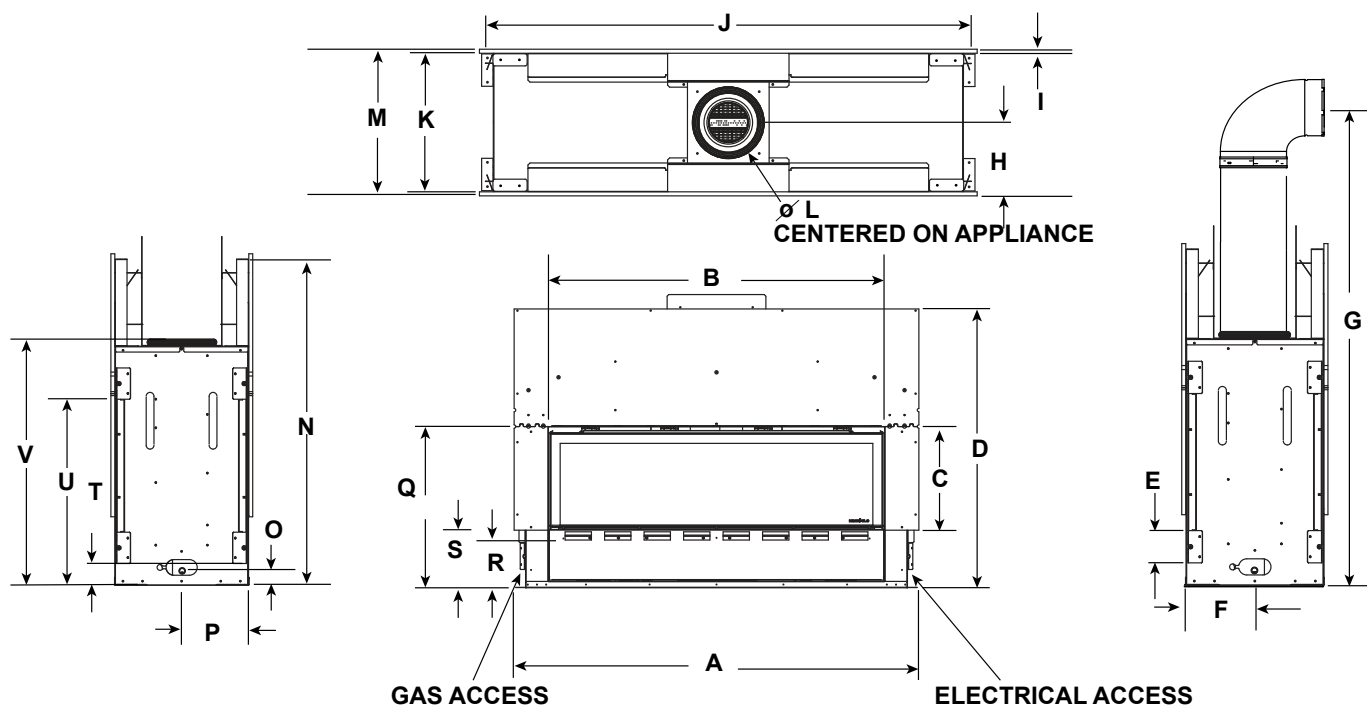
Figure 3.1 Appliance Dimensions - MEZZO1000-AUB, MEZZO1300-AUB



| Location | MEZZO1600-AUB | |
|----------|---------------|-------------|
| | Inches | Millimeters |
| A | 74 | 1880 |
| B | 63-1/8 | 1603 |
| C | 15-5/8 | 397 |
| D | 48-1/2 | 1232 |
| E | 4 | 102 |
| F | 8-9/16 | 217 |
| G | 63 | 1600 |
| H | 8-9/16 | 217 |
| I | 1 | 25 |
| J | 72 | 1829 |
| K | 17-1/8 | 435 |

| Location | MEZZO1600-AUB | |
|----------|---------------|-------------|
| | Inches | Millimeters |
| L | 8 | 203 |
| M | 18-5/8 | 471 |
| N | 47-3/4 | 1213 |
| O | 2-3/8 | 60 |
| P | 8-9/16 | 217 |
| Q | 24-1/2 | 622 |
| R | 7-1/4 | 184 |
| S | 8-7/8 | 225 |
| T | 2-3/4 | 70 |
| U | 23-3/4 | 603 |
| V | 30-3/4 | 781 |

Figure 3.2 Appliance Dimensions - MEZZO1600-AUB



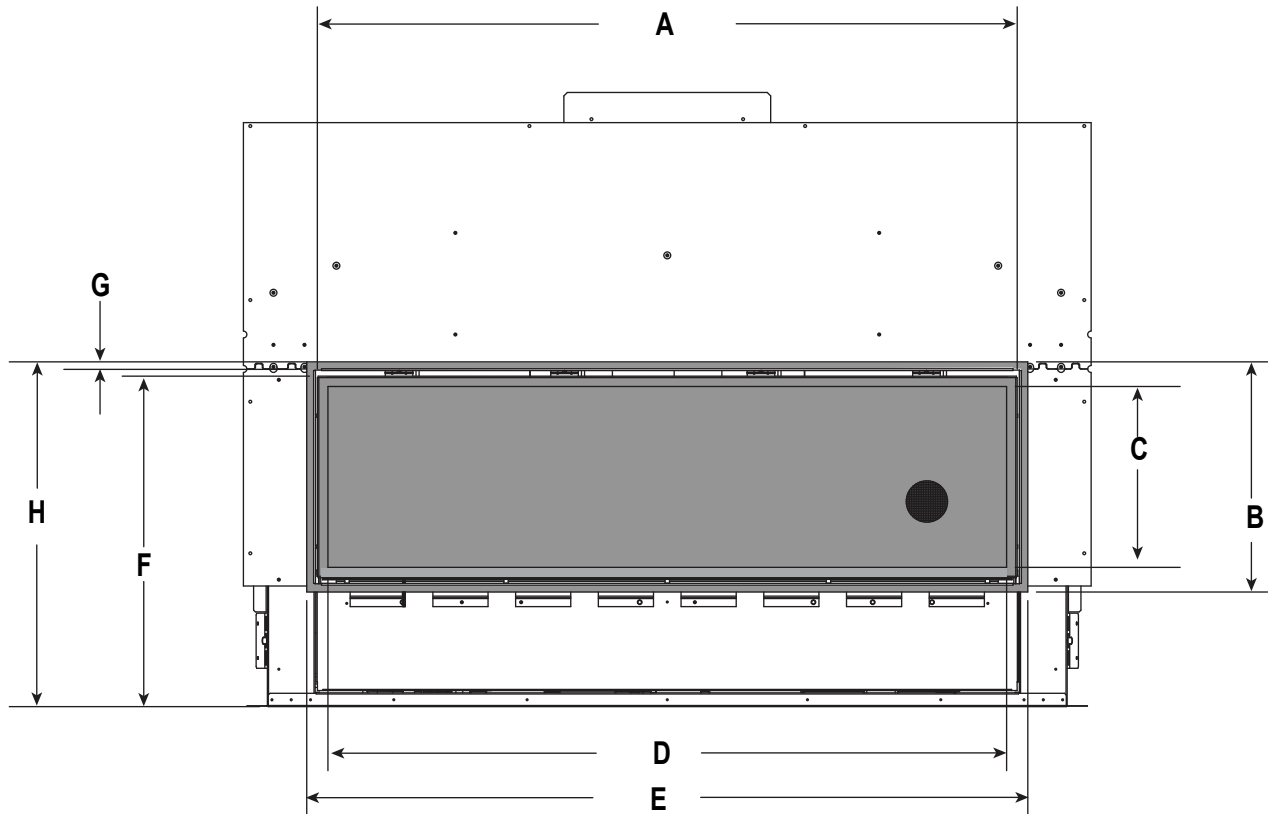
| Location | MEZZO1300ST-AUB | |
|----------|-----------------|-------------|
| | Inches | Millimeters |
| A | 62 | 1575 |
| B | 51-1/8 | 1299 |
| C | 15-5/8 | 397 |
| D | 42-1/2 | 1080 |
| E | 4 | 102 |
| F | 8-9/16 | 217 |
| G | 63 | 1600 |
| H | 8-9/16 | 217 |
| I | 1/2 | 13 |
| J | 60 | 1524 |
| K | 17-1/8 | 432 |

| Location | MEZZO1300ST-AUB | |
|----------|-----------------|-------------|
| | Inches | Millimeters |
| L | 8 | 203 |
| M | 18-1/8 | 460 |
| N | 41-3/4 | 1060 |
| O | 2-3/8 | 60 |
| P | 8-9/16 | 217 |
| Q | 24-1/2 | 622 |
| R | 7-1/4 | 184 |
| S | 8-7/8 | 225 |
| T | 2-3/4 | 70 |
| U | 23-3/4 | 603 |
| V | 30-3/4 | 781 |

Figure 3.3 Appliance Dimensions - MEZZO1300ST-AUB

CLEAN FACE TRIM DECORATIVE FRONT

Note: See Section 10 for hearth, mantel and finishing requirements.



| Location | MEZZO1000-AUB | | MEZZO1300-AUB MEZZO1300ST-AUB | | MEZZO1600-AUB | |
|----------|---------------|-------------|----------------------------------|-------------|---------------|-------------|
| | Inches | Millimeters | Inches | Millimeters | Inches | Millimeters |
| A | 39 | 991 | 51 | 1295 | 63 | 1600 |
| B | 16-3/4 | 425 | 16-3/4 | 425 | 16-3/4 | 425 |
| C | 13-1/8 | 333 | 13-1/8 | 333 | 13-1/8 | 333 |
| D | 37-3/16 | 945 | 49-3/16 | 1249 | 61-3/16 | 1554 |
| E | 40-5/16 | 1024 | 52-5/16 | 1329 | 64-5/16 | 1634 |
| F | 24 | 610 | 24 | 610 | 24 | 610 |
| G | 5/8 | 16 | 5/8 | 16 | 5/8 | 16 |
| H | 25 | 635 | 25 | 635 | 25 | 635 |

Figure 3.4 Clean Face Trim Front (Inside Fit) Decorative Front Dimensions

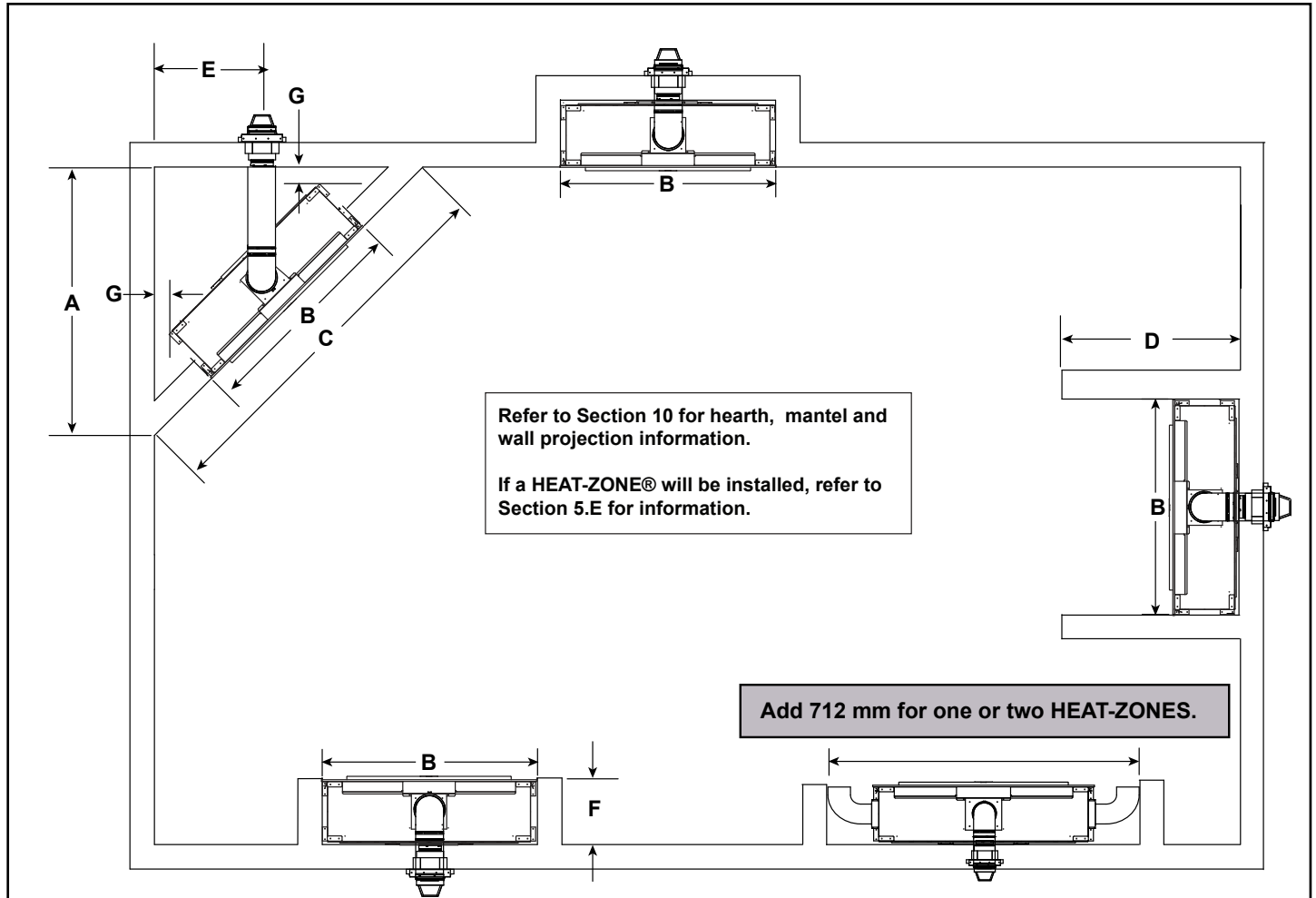
B. Clearances to Combustibles

When selecting a location for the appliance it is important to consider the required clearances to walls. See Figure 3.5 and Figure 3.6.

WARNING! Risk of Fire or Burns! Provide adequate clearance around air openings and for service access. Due to high temperatures, the appliance should be located out of traffic and away from furniture and draperies.

NOTICE: Illustrations reflect typical installations and are FOR DESIGN PURPOSES ONLY. Illustrations/diagrams are not drawn to scale. Actual installation could vary due to individual design preference.

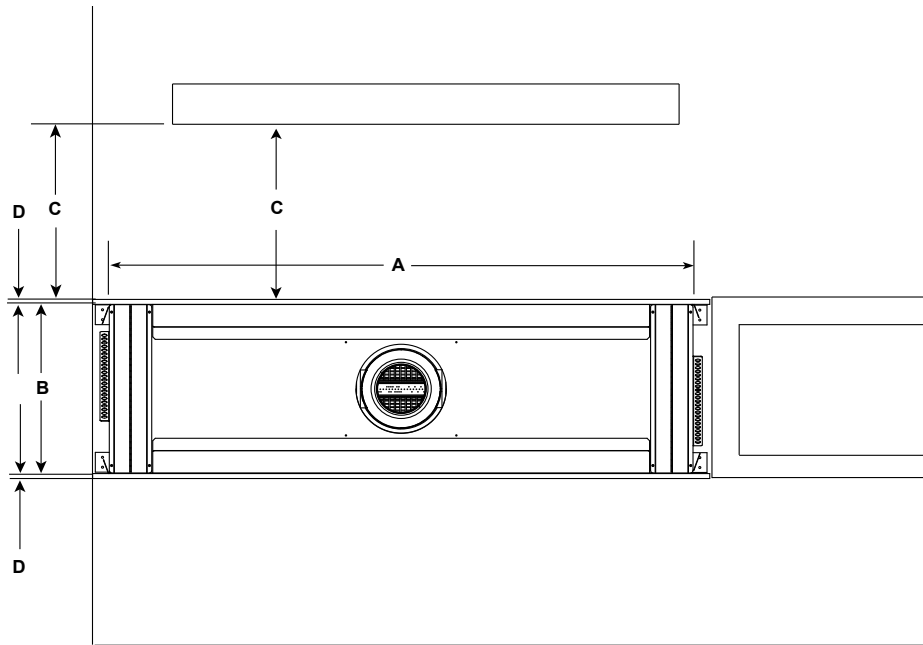
It is important to follow the framing and finishing instructions step by step to ensure proper placement of fireplace in the surrounding framing/finishing materials.



| Model | | A | B | C | D | E | F | G |
|---------------|-------------|--------|--------|---------|---|--------|--------|----|
| MEZZO1000-AUB | Inches | 62-1/2 | 48-1/4 | 88-1/8 | See Section 10, Figure 10.14 and 10.15. | 24-1/2 | 18-3/4 | 1 |
| | Millimeters | 1588 | 1226 | 2239 | | 622 | 477 | 25 |
| MEZZO1300-AUB | Inches | 70-3/4 | 60-1/4 | 100-3/8 | | 28-1/2 | 18-3/4 | 1 |
| | Millimeters | 1797 | 1530 | 2550 | | 724 | 477 | 25 |
| MEZZO1600-AUB | Inches | 79-1/2 | 72-1/4 | 112-3/8 | | 31-3/4 | 18-3/4 | 1 |
| | Millimeters | 1835 | 2013 | 2854 | | 807 | 477 | 25 |

Figure 3.5 Appliance Locations: MEZZO-AUB Single-Sided Models

NOTICE: This See-Through appliance is NOT designed or approved for an indoor/outdoor application.



| MODEL | | A | B | C | D |
|-----------------|-------------|--------|--------|------|----|
| MEZZO1300ST-AUB | Inches | 60-1/4 | 17-1/8 | 48 | .4 |
| | Millimeters | 1530 | 435 | 1219 | 10 |

Figure 3.6 Appliance Locations: MEZZO-AUB See-Through Models

C. Constructing the Appliance Chase

A chase is a vertical box-like structure built to enclose the gas appliance and/or its vent system. In cooler climates the vent should be enclosed inside the chase.

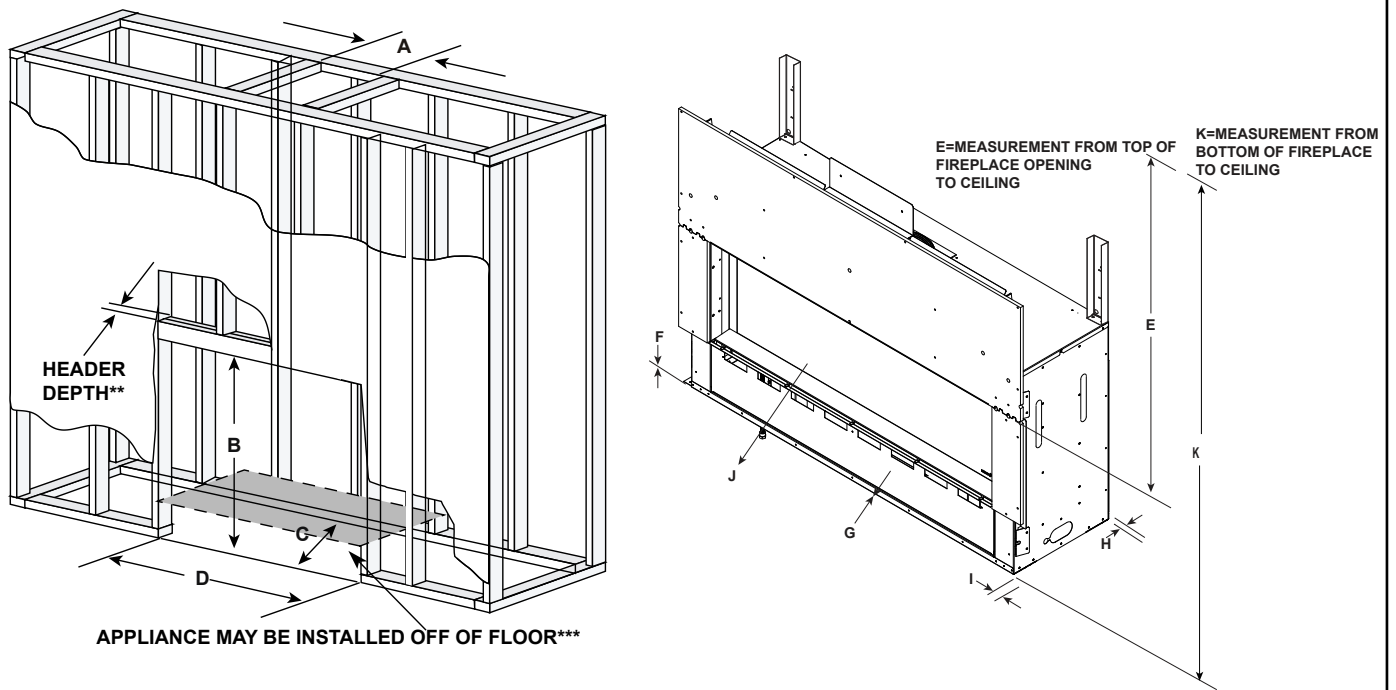
NOTICE: Treatment of ceiling firestops and wall shield firestops and construction of the chase may vary with the type of building. These instructions are not substitutes for the requirements of local building codes. Therefore, you MUST check local building codes to determine the requirements to these steps.

Chases should be constructed in the manner of all outside walls of the home to prevent cold air drafting problems. The chase should not break the outside building envelope in any manner.

Walls, ceiling, base plate and cantilever floor of the chase should be insulated. Vapor and air infiltration barriers should be installed in the chase as per regional codes for the rest of the home. Additionally, in regions where cold air infiltration may be an issue, the inside surfaces may be sheetrocked and taped (or an equivalent method may be used) to achieve maximum air tightness.

To further prevent drafts, the wall shield and ceiling firestops should be caulked with caulk with a minimum of 300 °F (149 °C) continuous exposure rating to seal gaps. Gas line holes and other openings should be caulked with caulk with a minimum of 300 °F (149 °C) continuous exposure rating or stuffed with unfaced insulation. If the appliance is being installed on a cement surface, a layer of plywood may be placed underneath to prevent conducting cold up into the room.

Note: Figure 3.7 and Figure 3.8, and Figure 3.9 show the fireplace installed on the floor. However, this fireplace can be elevated off the floor provided that the fireplace is properly supported by framing materials and the ceiling clearances are maintained.



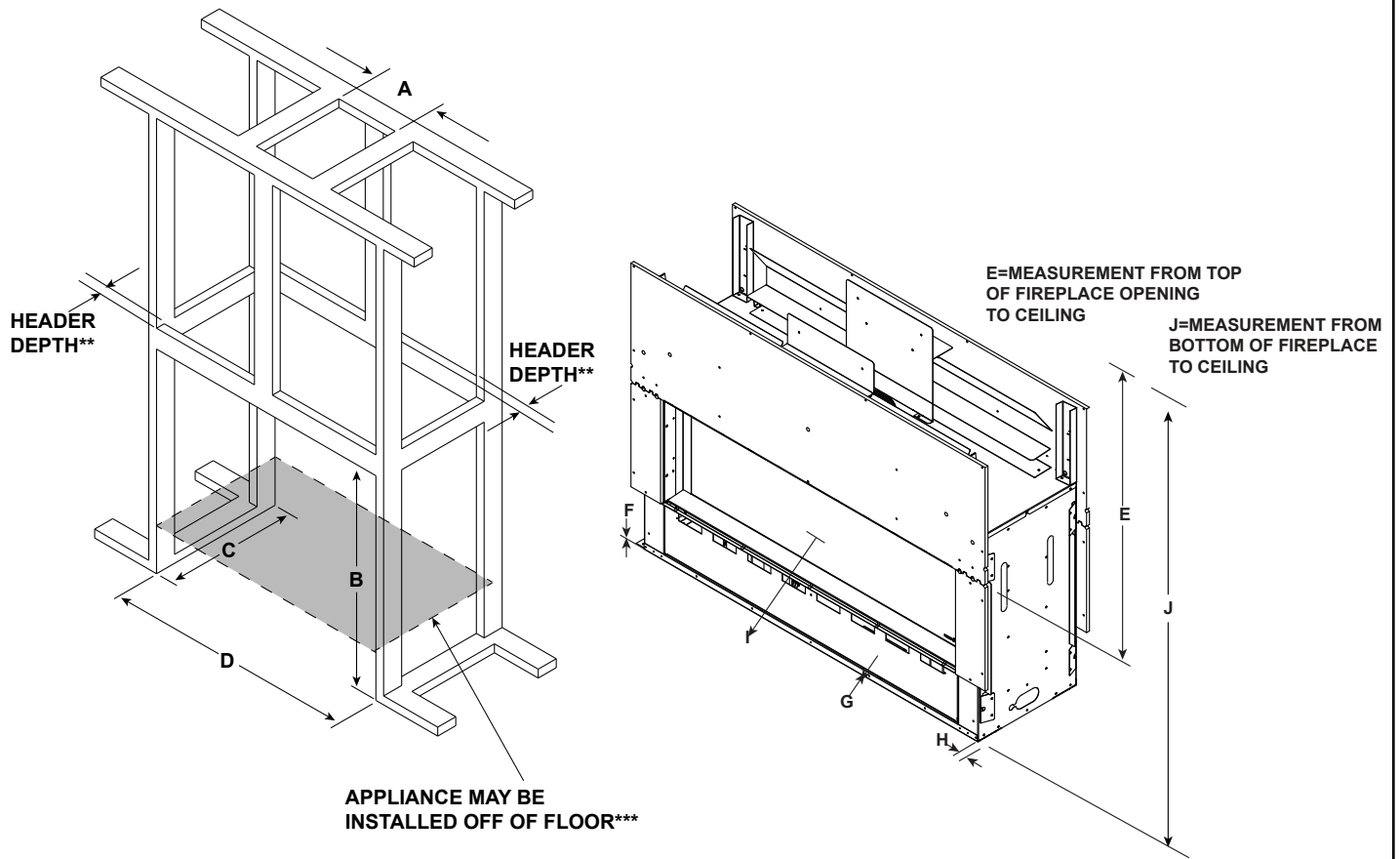
| MINIMUM FRAMING DIMENSIONS* | | | | | | | | | | | |
|-----------------------------|---------------------------|------------------------|-----------------------|-----------------------|----------------------|-------------------|----------------------|------------------|--------------------|--------------------|----------------------|
| MEZZO1000-AUB | A | B | C | D | E | F | G**** | H | I | J | K |
| | Rough Opening (Vent Pipe) | Rough Opening (Height) | Rough Opening (Depth) | Rough Opening (Width) | Clearance to Ceiling | Combustible Floor | Combustible Flooring | Behind Appliance | Sides of Appliance | Front of Appliance | Clearance to Ceiling |
| Inches | 10 | 42 | 18-1/4 | 48-1/4 | 31 | 0 | 0 | 1 | 1 | 48 | 55-1/2 |
| Millimeters | 254 | 1067 | 464 | 1226 | 787 | 0 | 0 | 25 | 25 | 1219 | 1410 |

| MINIMUM FRAMING DIMENSIONS* | | | | | | | | | | | |
|-----------------------------|---------------------------|------------------------|-----------------------|-----------------------|----------------------|-------------------|----------------------|------------------|--------------------|--------------------|----------------------|
| MEZZO1300-AUB | A | B | C | D | E | F | G**** | H | I | J | K |
| | Rough Opening (Vent Pipe) | Rough Opening (Height) | Rough Opening (Depth) | Rough Opening (Width) | Clearance to Ceiling | Combustible Floor | Combustible Flooring | Behind Appliance | Sides of Appliance | Front of Appliance | Clearance to Ceiling |
| Inches | 10 | 42 | 18-1/4 | 60-1/4 | 31 | 0 | 0 | 1 | 1 | 48 | 55-1/2 |
| Millimeters | 254 | 1067 | 464 | 1530 | 787 | 0 | 0 | 25 | 25 | 1219 | 1410 |

| MINIMUM FRAMING DIMENSIONS* | | | | | | | | | | | |
|-----------------------------|---------------------------|------------------------|-----------------------|-----------------------|----------------------|-------------------|----------------------|------------------|--------------------|--------------------|----------------------|
| MEZZO1600-AUB | A | B | C | D | E | F | G**** | H | I | J | K |
| | Rough Opening (Vent Pipe) | Rough Opening (Height) | Rough Opening (Depth) | Rough Opening (Width) | Clearance to Ceiling | Combustible Floor | Combustible Flooring | Behind Appliance | Sides of Appliance | Front of Appliance | Clearance to Ceiling |
| Inches | 10 | 48 | 18-1/4 | 72-1/4 | 31 | 0 | 0 | 1 | 1 | 48 | 55-1/2 |
| Millimeters | 254 | 1219 | 464 | 1835 | 787 | 0 | 0 | 25 | 25 | 1219 | 1410 |

- * = Adjust framing dimensions for interior sheathing (such as sheetrock)
- ** = Header depth not to exceed 3-1/2 in. (89 mm).
- *** = If appliance is installed off of floor, maintain required clearances to combustibles. Construct platform in accordance with local building codes.
- **** For Installations with vinyl flooring. See Section 3.E.

Figure 3.7 Clearances to Combustibles MEZZO1000-AUB, MEZZO1300-AUB, MEZZO1600-AUB



| MINIMUM FRAMING DIMENSIONS* | | | | | | | | | | | |
|-----------------------------|-----|---------------------------|------------------------|-----------------------|-----------------------|----------------------|-------------------|----------------------|--------------------|----------------------------|----------------------|
| | | A | B | C | D | E | F | G**** | H | I | J |
| | | Rough Opening (Vent Pipe) | Rough Opening (Height) | Rough Opening (Depth) | Rough Opening (Width) | Clearance to Ceiling | Combustible Floor | Combustible Flooring | Sides of Appliance | Front or Rear of Appliance | Clearance to Ceiling |
| MEZZO1300ST-AUB | in. | 10 | 42 | 17 | 60-1/4 | 31 | 0 | 0 | 1 | 48 | 55-1/2 |
| | mm | 254 | 1067 | 432 | 1530 | 787 | 0 | 0 | 25 | 1219 | 1410 |

* = Adjust framing dimensions for interior sheathing (such as sheetrock)

** = Header depth not to exceed 3-1/2 in. (89 mm).

*** = If appliance is installed off of floor, maintain required clearances to combustibles.

Construct platform in accordance with local building codes.

→ **** For Installations with vinyl flooring. See Section 3.E.

Figure 3.8 Clearances to Combustibles - MEZZO1300ST-AUB

D. Floor Protection

NOTICE: Install appliance on hard metal or wood surfaces extending full width and depth. **DO NOT** install directly on carpeting, vinyl, tile or any combustible material other than wood.

WARNING! Risk of Fire! Maintain specified air space clearances to appliance and vent pipe:

- Insulation and other materials must be secured to prevent accidental contact.
- The chase must be properly blocked to prevent blown insulation or other combustibles from entering and making contact with fireplace or chimney.
- Failure to maintain airspace could cause overheating and fire.

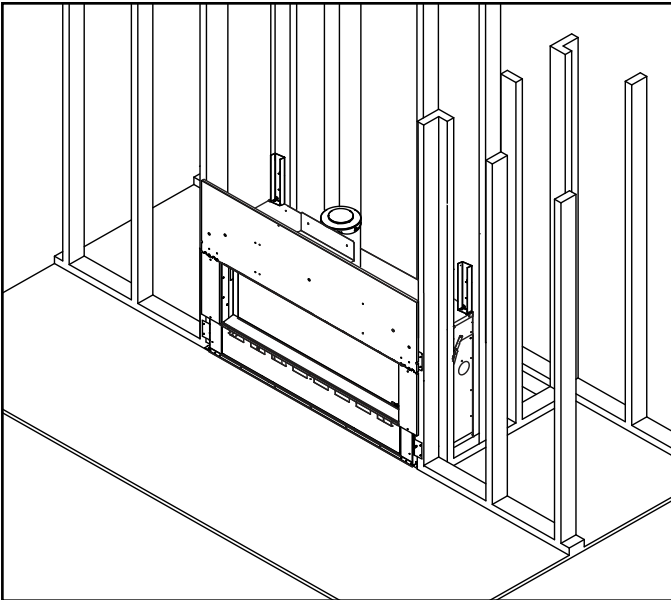


Figure 3.9 Floor Protection

→ E. Vinyl Flooring

Vinyl flooring is sensitive to heat.

When using vinyl flooring up to the wall, the following minimum recommendations apply:

24 in (610 mm) minimum to floor from bottom of appliance as shown in Figure 3.10 OR a 12 in (305 mm) minimum x 12 in (305 mm) minimum hearth as shown in Figure 3.11.

If appliance is installed on the floor, a minimum of 30 in (762 mm) of clearance to vinyl is recommended in front of the appliance.

NOTICE: Clearances that do not meet the minimum guidelines could result in damage or buckling to the vinyl flooring and is done at the installer's risk.

Hearth and Home Technologies does not recommend adhesive based vinyl flooring due to thermal expansion. Floating-style flooring can be used, but it will reach temperatures up to to 110 °F (43 °C) in a room with ambient temperature of 70 °F (21 °C). Consult flooring specifications to ensure compatibility.

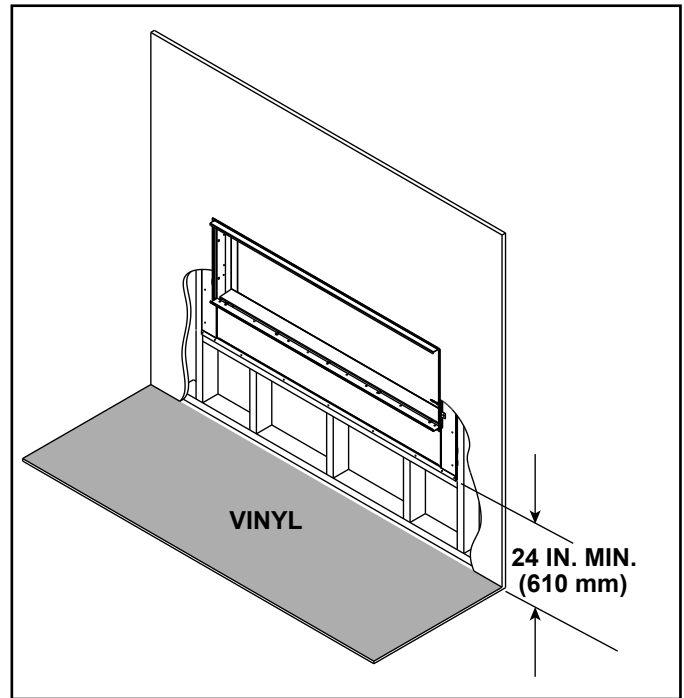


Figure 3.10 Vinyl Flooring Recommendations

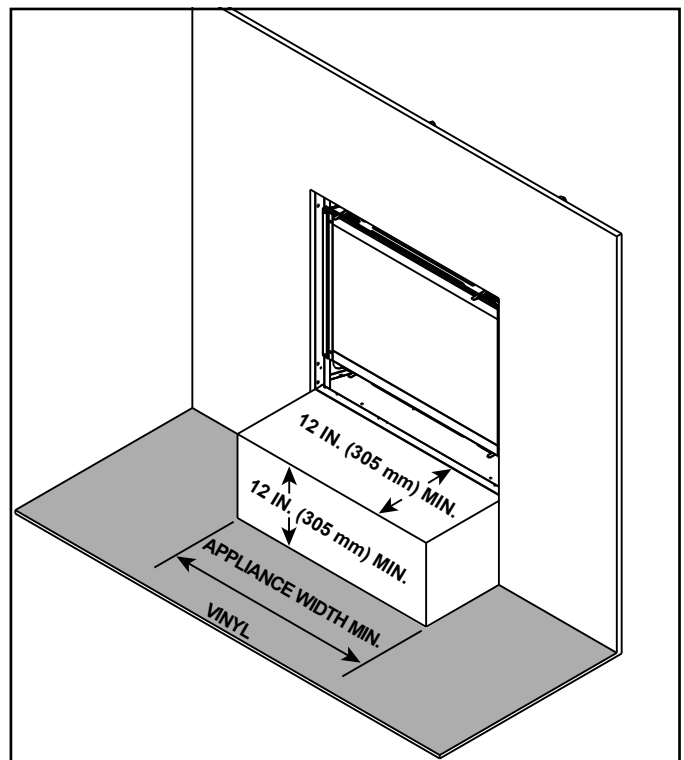


Figure 3.11 Vinyl Flooring Recommendations

4 Termination Location and Vent Information

A. Vent Termination Minimum Clearances

WARNING

Fire Risk.
Maintain vent clearance to combustibles as specified.

- **DO NOT** pack air space with insulation or other materials.

Failure to keep insulation or other materials away from vent pipe could cause overheating and fire.

| Angle | H (Min.) mm |
|-------------|-------------|
| 0°-26.6° | 500* |
| 26.6°-30.3° | 500* |
| 30.3°-33.7° | 500* |
| 33.7°-36.9° | 610* |
| 36.9°-39.8° | 760* |
| 39.8°-42.5° | 990 |
| 42.5°-45.0° | 1220 |
| 45.0°-49.4° | 1520 |
| 49.4°-53.1° | 1830 |
| 53.1°-56.3° | 2130 |
| 56.3°-59.0° | 2290 |
| 59.0°-60.3° | 2440 |

*910 mm minimum in snow regions

Figure 4.1 Minimum Height From Roof To Lowest Discharge Opening

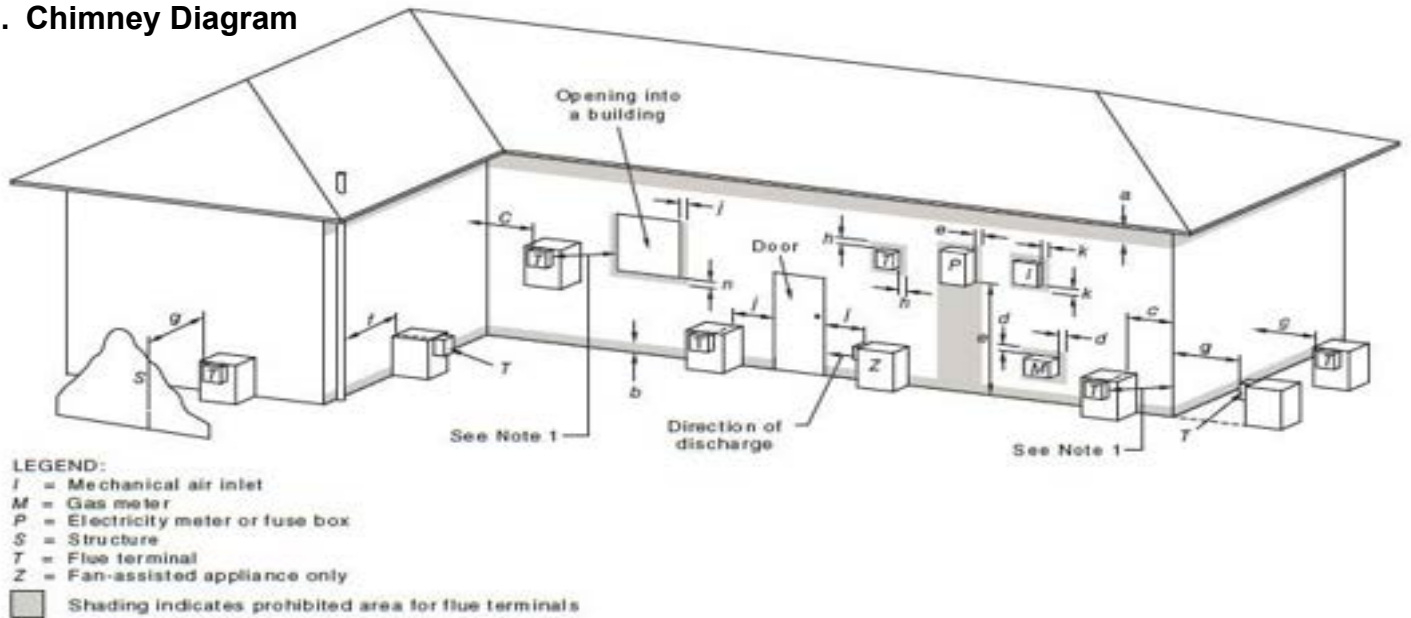
| A | B |
|--|---------------------------------|
| 6 in. (minimum) up to 20 in. <i>152 mm/508 mm</i> | 18 in. minimum <i>457 mm</i> |
| 20 in. and over | 0 in. minimum |

* If using decorative cap cover(s), this distance may need to be increased. Refer to the installation instructions supplied with the decorative cap cover.

** In a staggered installation with both gas and wood or fuel oil terminations, the wood or fuel oil termination cap must be higher than the gas termination cap.

Figure 4.2 Staggered Termination Caps

B. Chimney Diagram



| Ref. | Item | Minimum Clearance (mm) | |
|------|---|------------------------|--------------|
| | | Natural Draft | Fan Assisted |
| a | Below eaves, balconies or other projections | | |
| | Appliances up to 50 MJ/h input | 300 | 200 |
| | Appliances over to 50 MJ/h input | 500 | 300 |
| b | From the ground or above a balcony | | |
| | Appliances 32 MJ/h and below | 300 | 355 |
| | Appliances from 32 MJ/h to 53 MJ/h | 300 | 410 |
| | Appliances 53 MJ/h and above | 300 | 460 |
| c | From a return wall or external corner | 500 | 300 |
| d | From a gas meter (M) | 1000 | 1000 |
| e | From an electricity meter or fuse box (P) | 500 | 500 |
| f | From a drain or soil pipe | 150 | 75 |
| g | Horizontally from any building structure (unless appliance approved for closer installation) or obstruction facing a terminal | 500 | 500 |
| h | From any other flue terminal, cowl, or combustion air intake | 500 | 300 |
| j | Horizontally from an openable window, door, non-mechanical air inlet, or any other opening into a building, with the exception of sub-floor ventilation | | |
| | Appliances up to 150 MJ/h input | 500 | 300 |
| | All fan assisted appliances in the direction of discharge | - | 1500 |
| k | From a mechanical air inlet, including a spa fan | 1500 | 1000 |
| n | Vertically below an openable window, non-mechanical air inlet or any other opening into a building, with the exception of See table sub-floor ventilation | | |
| | For space heaters up to 50 MJ/h input | 150 | 150 |
| | For other appliances up to 50 MJ/h input | 500 | 500 |
| | For appliances over 50 MJ/h input and up to 150 MJ/h | 1000 | 1000 |
| | For appliances over 150 MJ/h input | 1500 | 1500 |

- NOTES:**
1. All distances are measured vertically or horizontally along the wall to a point in line with the nearest part of the terminal.
 2. Prohibited area below electricity meter or fuse box extends to ground level.
 3. Flue terminal under covered area:
 - a) The covered area or recess shall be open on at least two sides.
 - b) Fan assisted flue appliance shall have at least one side open and the terminal shall be within 500 mm of the opening and discharging in the direction of the opening.
 4. Clearance from a flue terminal to a LP cylinder shall be a minimum of 1 meter.

MINIMUM CLEARANCES REQUIRED FOR BALANCED FLUE TERMINALS OR THE FLUE TERMINALS OF OUTDOOR APPLIANCES

Figure 4.3 Minimum Clearances for Termination

C. Approved Pipe

This appliance is approved for use with Hearth & Home Technologies DVP venting systems. Refer to Section 12.A for vent component information and dimensions.

DO NOT mix pipe, fittings or joining methods from different manufacturers.

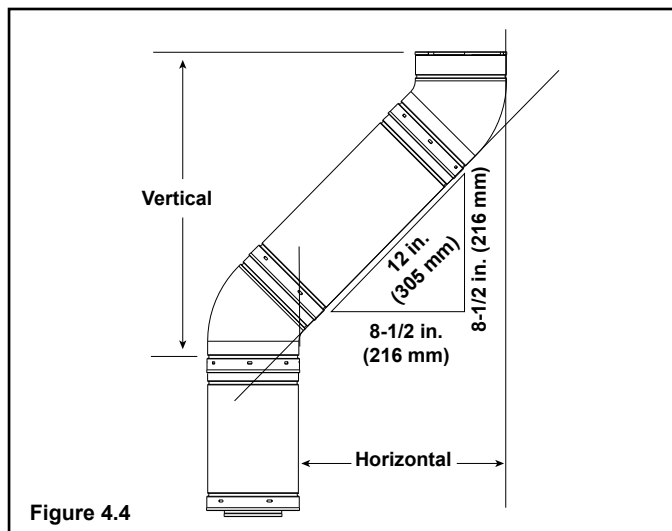
The pipe is tested to be run inside an enclosed wall. There is no requirement for inspection openings at each joint within the wall.

WARNING! Risk of Fire or Asphyxiation. This appliance requires a separate vent. **DO NOT** vent to a pipe serving a separate solid fuel burning appliance.

D. Use of Elbows

Diagonal runs have both vertical and horizontal vent aspects when calculating the effects. Use the rise for the vertical aspect and the run for the horizontal aspect (see Figure 4.4).

Two 45° elbows may be used in place of one 90° elbow. On 45° runs, one foot of diagonal is equal to 8-1/2 in. (216 mm) horizontal run and 8-1/2 in. (216 mm) vertical run. A length of straight pipe is allowed between two 45° elbows. See Figure 4.4.



E. Measuring Standards

Vertical and horizontal measurements listed in the vent diagrams were made using the following standards:

- Pipe measurements are shown using the effective length of pipe. See Section 12.A for information on effective length of pipe components.
- Measurements are made from the appliance outer wrap, not from the standoffs.
- Horizontal terminations are measured to the outside mounting surface (flange of termination cap). See Figure 4.3.
- Vertical terminations are measured to bottom of termination cap.
- Horizontal pipe installed level with no rise.

F. Exhaust Restrictor Instructions

Exhaust Restrictor is only used with vent runs 8 ft. (2.4 m) of vertical pipe.

Note: The exhaust restrictor can be located in the appliance manual bag.

Exhaust restrictor: MEZZO1000-AUB

1. Locate the two pilot holes in the inside firebox chamber as shown in Figure 4.5.
2. Break the flue restrictor into two pieces. Do this by bending the part back and forth until it breaks. See Figure 4.6.
3. The setting for MEZZO1000-AUB is 2-2. Align the holes marked "2" on the numbered exhaust restrictor piece with the holes on the other exhaust restrictor piece. See Figure 4.7. Align the exhaust restrictor pieces with the pilot holes in the inner firebox chamber. Use two 1/2 in. (13 mm) self-piercing screws to secure vent restrictor to firebox heat shield.
4. In some applications, such as those where the fireplace is elevated off the floor, the exhaust restrictor may be painted, but painting is not required.

NOTICE: Before painting, contact your dealer for information on the appropriate high temperature paint.

Exhaust restrictor: MEZZO1300-AUB, MEZZO1600-AUB, MEZZO1300ST-AUB

Exhaust Restrictor is only used with vent runs 8 ft. (2.4 m) of vertical pipe.

1. Break the flue restrictor into two pieces. Do this by bending the part back and forth until it breaks. See Figure 4.6.

Note: The MEZZO1600-AUB do not have pilot holes for the exhaust restrictor in the firebox chamber.

2. The setting for MEZZO1300-AUB, MEZZO1300ST-AUB and MEZZO1600-AUB is 1-1. Align the holes marked "1" on the numbered exhaust restrictor piece with the hole on the other exhaust restrictor piece. See Figure 4.8. Center the exhaust restrictor on the vent and secure in place with two 1/2 in. (13 mm) self-piercing screws.

3. In some applications, such as those where the fireplace is elevated off the floor, the exhaust restrictor may be painted, but painting is not required.

NOTICE: Before painting, contact your dealer for information on the appropriate high temperature paint.

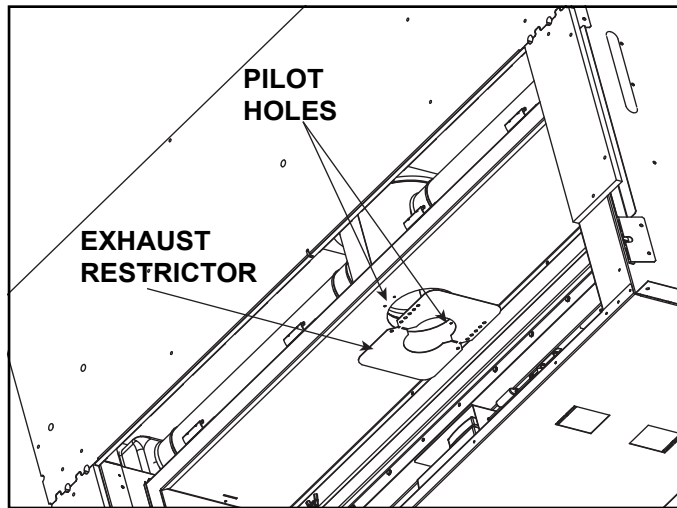


Figure 4.5 Exhaust Restrictor

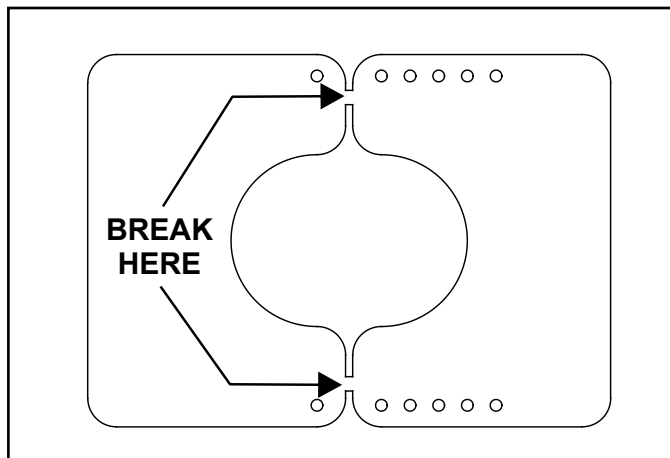


Figure 4.6 Break the Exhaust Restrictor

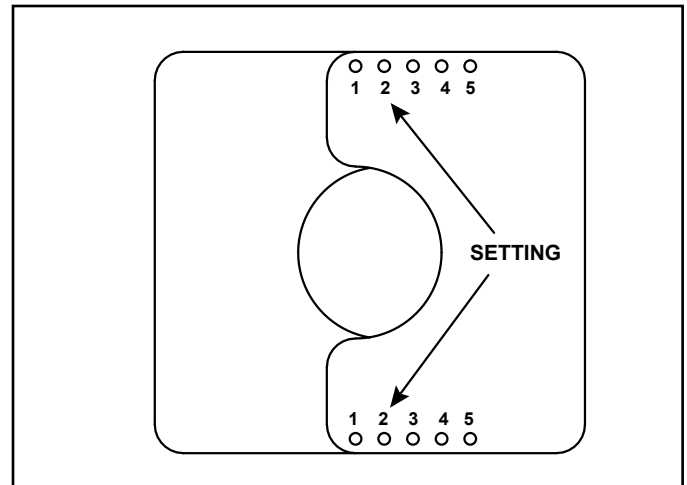


Figure 4.7 Setting the Exhaust Restrictor for MEZZO1000-AUB

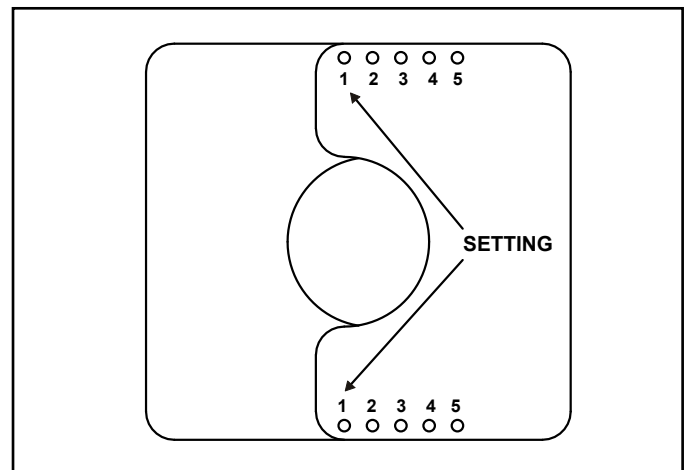


Figure 4.8 Setting the Exhaust Restrictor for MEZZO1300-AUB, MEZZO1300ST-AUB, MEZZO1600-AUB

G. Vent Diagrams

General Rules:

- When penetrating a combustible wall, a wall shield firestop must be installed.
- When penetrating a combustible ceiling, a ceiling firestop must be installed.
- Horizontal runs of vent do not require vertical rise; horizontal runs may be level.
- Horizontal termination cap should have a 1/4 in. (6mm) downward slant to allow any moisture in cap to be released.



⚠ WARNING

Fire Risk. Explosion Risk.

Do NOT pack insulation or other combustibles between ceiling firestops.

- ALWAYS maintain specified clearances around venting and firestop systems.
- Install wall shield and ceiling firestops as specified.

Failure to keep insulation or other material away from vent pipe could cause fire.



Top Vent - Horizontal Termination Venting with 1 elbow

WARNING! Risk of Fire!

DO NOT attach elbow directly to the appliance.

- The MEZZO1000-AUB, MEZZO1300-AUB, MEZZO1300ST-AUB, MEZZO1600-AUB require a minimum of 24 in. (610 mm) of vertical venting before attaching any elbow to the appliance.

| MEZZO1000-AUB, MEZZO1300-AUB, MEZZO1600-AUB | | | |
|---|--------|---|--------|
| V ₁ Minimum | | H ₁ + H ₂ Maximum | |
| 2 ft. | 610 mm | 1.5 ft. | 457 mm |
| 3 ft. | 914 mm | 6 ft. | 1.8 m |
| 4 ft. | 1.2 m | 9 ft. | 2.7 m |
| 5 ft. | 1.5 m | 12 ft. | 3.7 m |
| 6 ft. | 1.8 m | 15 ft. | 4.6 m |
| 7 ft. | 2.1 m | 18 ft. | 5.5 m |
| 8 ft. | 2.4 m | 21 ft. | 6.4 m |
| 9 ft. | 2.7 m | 24 ft. | 7.3 m |

V₁ + H₁ + H₂ = 63 ft. (19.2 m) Maximum
 H₁ + H₂ = 24 ft. (7.3 m) Maximum

Note: Use DVP Series components only.

| MEZZO1300ST-AUB | | | |
|------------------------|--------|---|--------|
| V ₁ Minimum | | H ₁ + H ₂ Maximum | |
| 2 ft. | 610 mm | 3 ft. | 914 mm |
| 3 ft. | 914 mm | 6 ft. | 1.8 m |
| 4 ft. | 1.2 m | 9 ft. | 2.7 m |
| 5 ft. | 1.5 m | 12 ft. | 3.7 m |
| 6 ft. | 1.8 m | 15 ft. | 4.6 m |
| 7 ft. | 2.1 m | 18 ft. | 5.5 m |
| 8 ft. | 2.4 m | 21 ft. | 6.4 m |
| 9 ft. | 2.7 m | 24 ft. | 7.3 m |

V₁ + H₁ + H₂ = 63 ft. (19.2 m) Maximum
 H₁ + H₂ = 24 ft. (7.3 m) Maximum

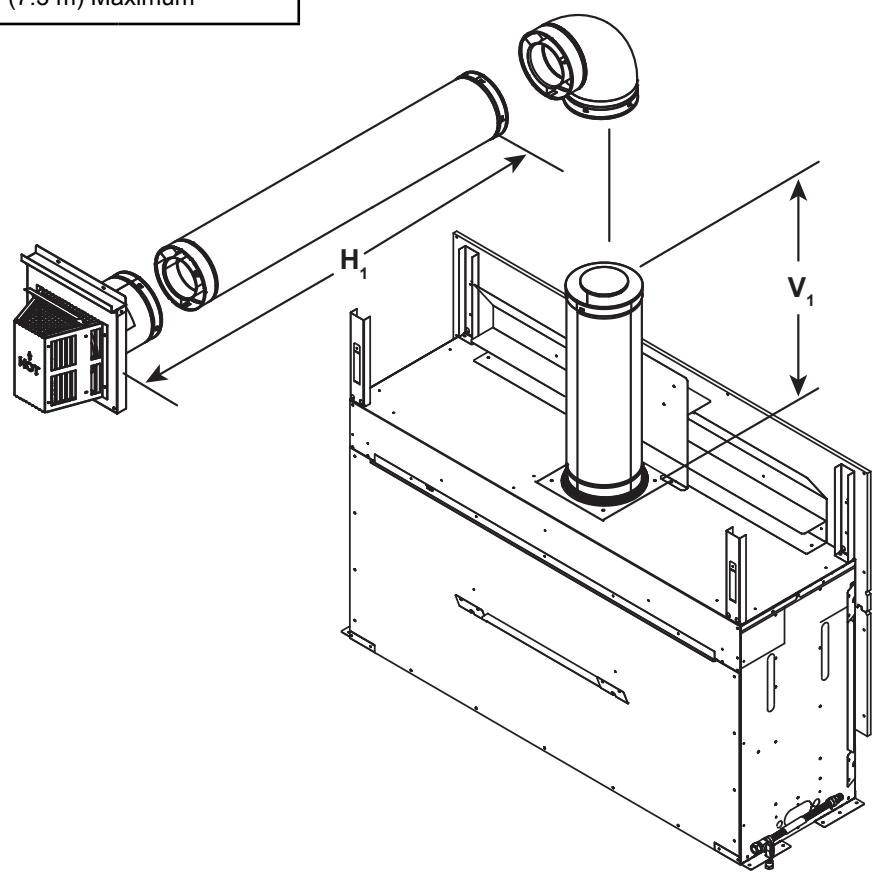


Figure 4.9

Top Vent - Horizontal Termination Venting with 2 elbows

WARNING! Risk of Fire!

DO NOT attach elbow directly to the appliance.

- The MEZZO1000-AUB, MEZZO1300-AUB, MEZZO1300ST-AUB, MEZZO1600-AUB require a minimum of 24 in. (610 mm) of vertical venting before attaching any elbow to the appliance.

| MEZZO1000-AUB, MEZZO1300-AUB, MEZZO1600-AUB | | | |
|--|--------|---|--------|
| V ₁ Minimum | | H ₁ + H ₂ Maximum | |
| 2 ft. | 610 mm | 1.5 ft. | 457 mm |
| 3 ft. | 914 mm | 6 ft. | 1.8 m |
| 4 ft. | 1.2 m | 9 ft. | 2.7 m |
| 5 ft. | 1.5 m | 12 ft. | 3.7 m |
| 6 ft. | 1.8 m | 15 ft. | 4.6 m |
| 7 ft. | 2.1 m | 18 ft. | 5.5 m |
| 8 ft. | 2.4 m | 21 ft. | 6.4 m |
| 9 ft. | 2.7 m | 24 ft. | 7.3 m |

V₁ + H₁ + H₂ = 63 ft. (19.2 m) Maximum
H₁ + H₂ = 24 ft. (7.3 m) Maximum

Note: Use DVP Series components only.

| MEZZO1300ST-AUB | | | |
|------------------------|--------|---|--------|
| V ₁ Minimum | | H ₁ + H ₂ Maximum | |
| 2 ft. | 610 mm | 3 ft. | 914 mm |
| 3 ft. | 914 mm | 6 ft. | 1.8 m |
| 4 ft. | 1.2 m | 9 ft. | 2.7 m |
| 5 ft. | 1.5 m | 12 ft. | 3.7 m |
| 6 ft. | 1.8 m | 15 ft. | 4.6 m |
| 7 ft. | 2.1 m | 18 ft. | 5.5 m |
| 8 ft. | 2.4 m | 21 ft. | 6.4 m |
| 9 ft. | 2.7 m | 24 ft. | 7.3 m |

V₁ + H₁ + H₂ = 63 ft. (19.2 m) Maximum
H₁ + H₂ = 24 ft. (7.3 m) Maximum

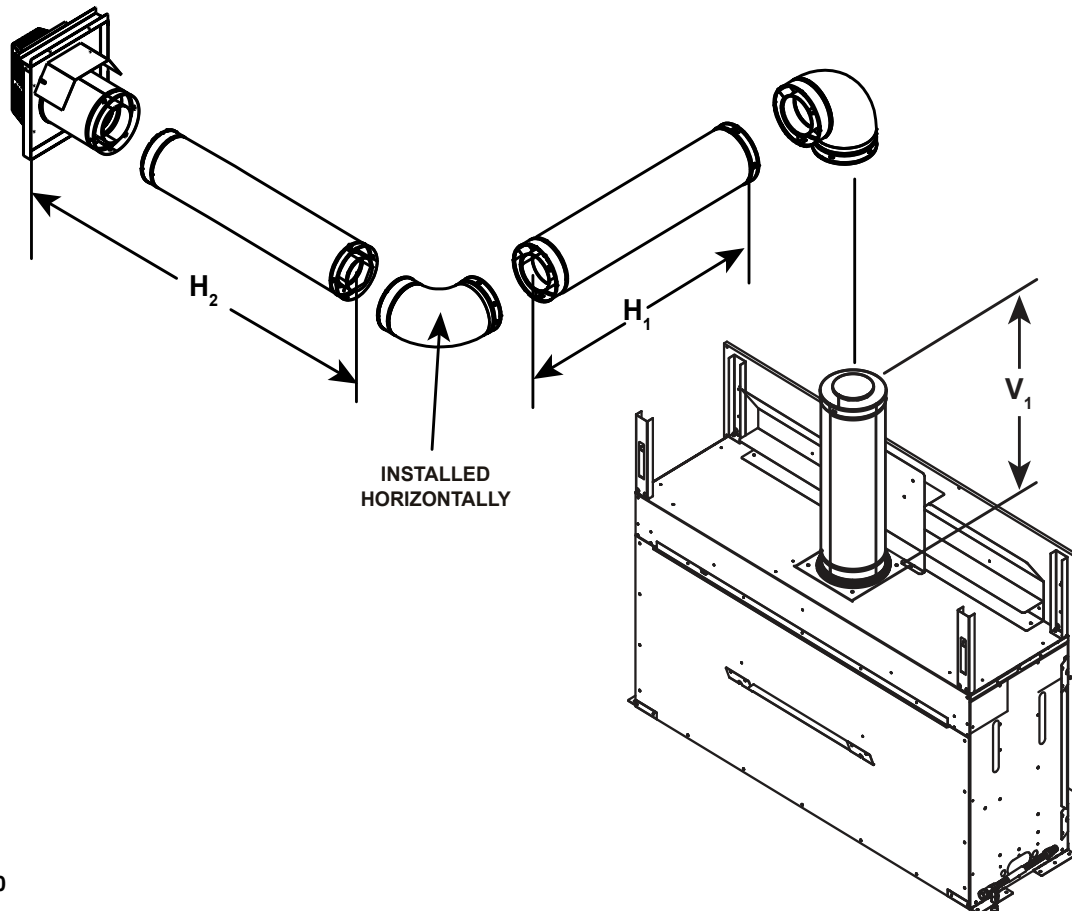


Figure 4.10

Top Vent - Horizontal Termination Venting with 3 Elbows

WARNING! Risk of Fire!

DO NOT attach elbow directly to the appliance.

• The MEZZO1000-AUB, MEZZO1300-AUB, MEZZO1300ST-AUB, MEZZO1600-AUB require a minimum of 24 in. (610 mm) of vertical venting before attaching any elbow to the appliance.

| MEZZO1000-AUB, MEZZO1300-AUB, MEZZO1600-AUB | | | |
|--|--------|---|--------|
| V ₁ Minimum | | H ₁ + H ₂ Maximum | |
| 2 ft. | 610 mm | 1.5 ft. | 457 mm |
| 3 ft. | 914 mm | 6 ft. | 1.8 m |
| 4 ft. | 1.2 m | 9 ft. | 2.7 m |
| 5 ft. | 1.5 m | 12 ft. | 3.7 m |
| 6 ft. | 1.8 m | 15 ft. | 4.6 m |
| 7 ft. | 2.1 m | 18 ft. | 5.5 m |
| 8 ft. | 2.4 m | 21 ft. | 6.4 m |
| 9 ft. | 2.7 m | 24 ft. | 7.3 m |
| V ₁ + H ₁ + H ₂ = 63 ft. (19.2 m) Maximum H ₁ + H ₂ = 24 ft. (7.3 m) Maximum | | | |

Note: Use DVP Series components only.

| MEZZO1300ST-AUB | | | |
|--|--------|---|--------|
| V ₁ Minimum | | H ₁ + H ₂ Maximum | |
| 2 ft. | 610 mm | 3 ft. | 914 mm |
| 3 ft. | 914 mm | 6 ft. | 1.8 m |
| 4 ft. | 1.2 m | 9 ft. | 2.7 m |
| 5 ft. | 1.5 m | 12 ft. | 3.7 m |
| 6 ft. | 1.8 m | 15 ft. | 4.6 m |
| 7 ft. | 2.1 m | 18 ft. | 5.5 m |
| 8 ft. | 2.4 m | 21 ft. | 6.4 m |
| 9 ft. | 2.7 m | 24 ft. | 7.3 m |
| V ₁ + H ₁ + H ₂ = 63 ft. (19.2 m) Maximum H ₁ + H ₂ = 24 ft. (7.3 m) Maximum | | | |

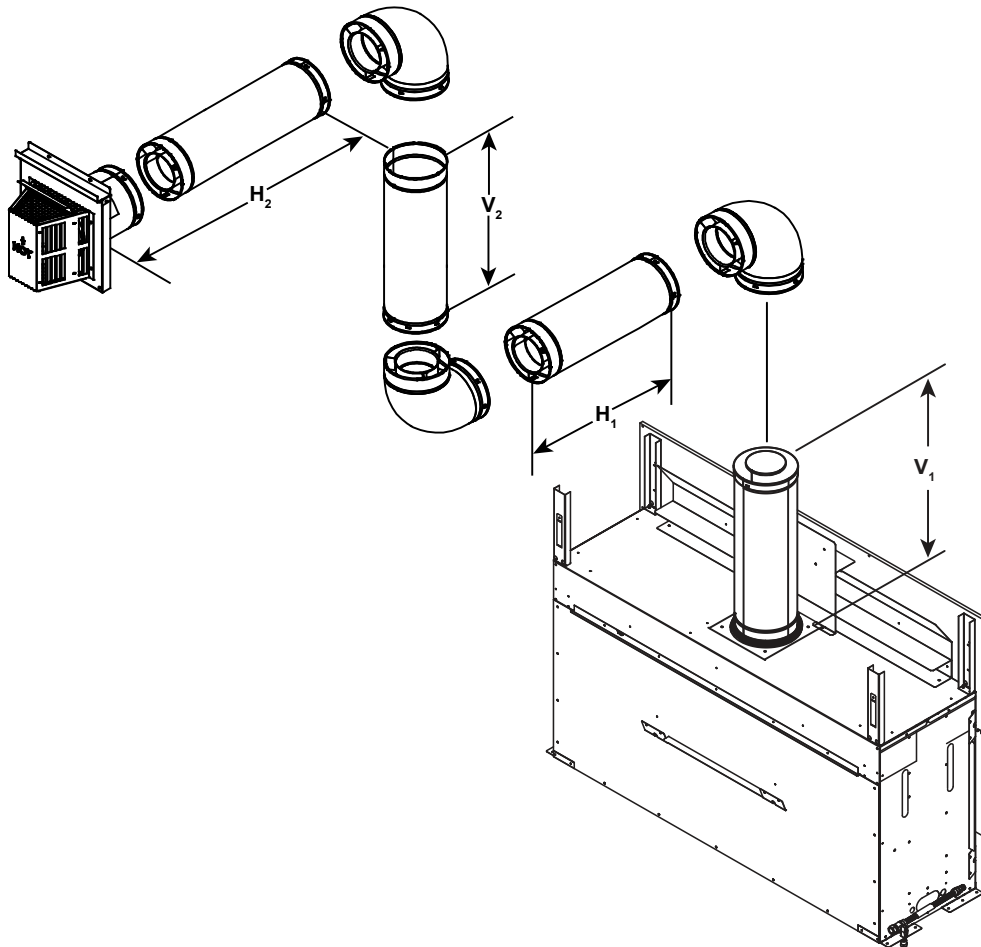


Figure 4.11

**Top Vent - Vertical Termination
No Elbows**

V = 3 ft Min. (1m), 50 ft. Max. (15.2 m)

Note: If installing a vertical vent/termination off the top of the appliance, the optional exhaust restrictor may be needed.

Note: Use DVP Series components only.

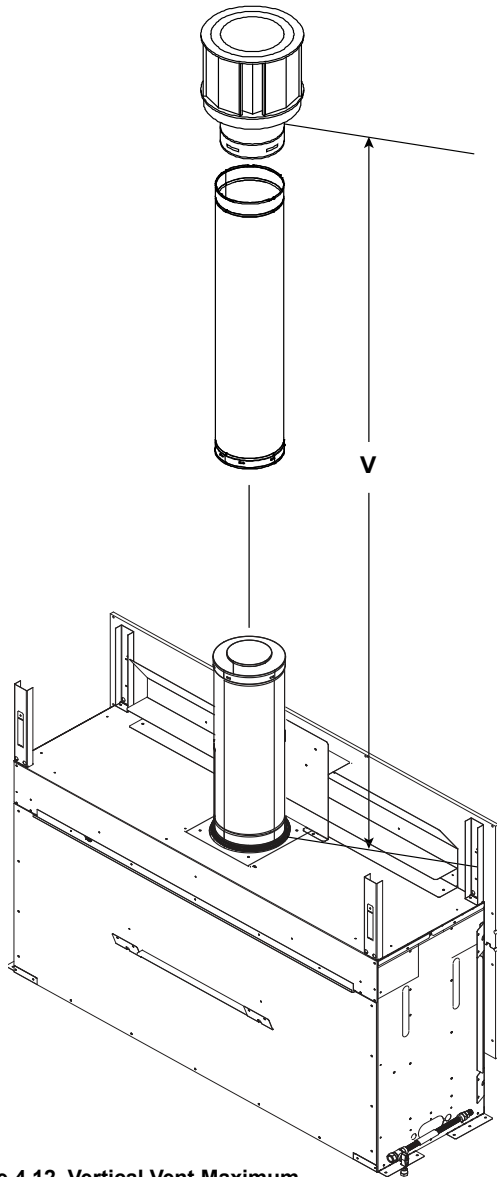


Figure 4.12 Vertical Vent Maximum

Top Vent - Vertical Termination Venting with 2 elbows

WARNING! Risk of Fire!

DO NOT attach elbow directly to the appliance.

- The MEZZO1000-AUB, MEZZO1300-AUB, MEZZO1300ST-AUB, MEZZO1600-AUB require a minimum of 24 in. (610 mm) of vertical venting before attaching any elbow to the appliance.

Note: Use DVP Series components only.

| MEZZO1000-AUB, MEZZO1300-AUB, MEZZO1300ST-AUB, MEZZO1600-AUB | | | |
|--|--------|------------------|-------|
| V₁ + V₂ Minimum | | H Maximum | |
| 2 ft. | 610 mm | 4 ft. | 1.2 m |
| 3 ft. | 914 mm | 9 ft. | 2.7 m |
| 4 ft. | 1.2 m | 12 ft. | 3.6 m |
| 5 ft. | 1.5 m | 15 ft. | 4.5 m |
| 6 ft. | 1.8 m | 18 ft. | 5.4 m |
| 7 ft. | 2.1 m | 21 ft. | 6.3 m |
| 8 ft. | 2.4 m | 23 ft. | 7.1 m |
| $V_1 + H_1 + V_2 = 63 \text{ ft. (19.2 m) Maximum}$ $H_{\text{Total}} = 23 \text{ ft. (7.1 m) Maximum}$ | | | |

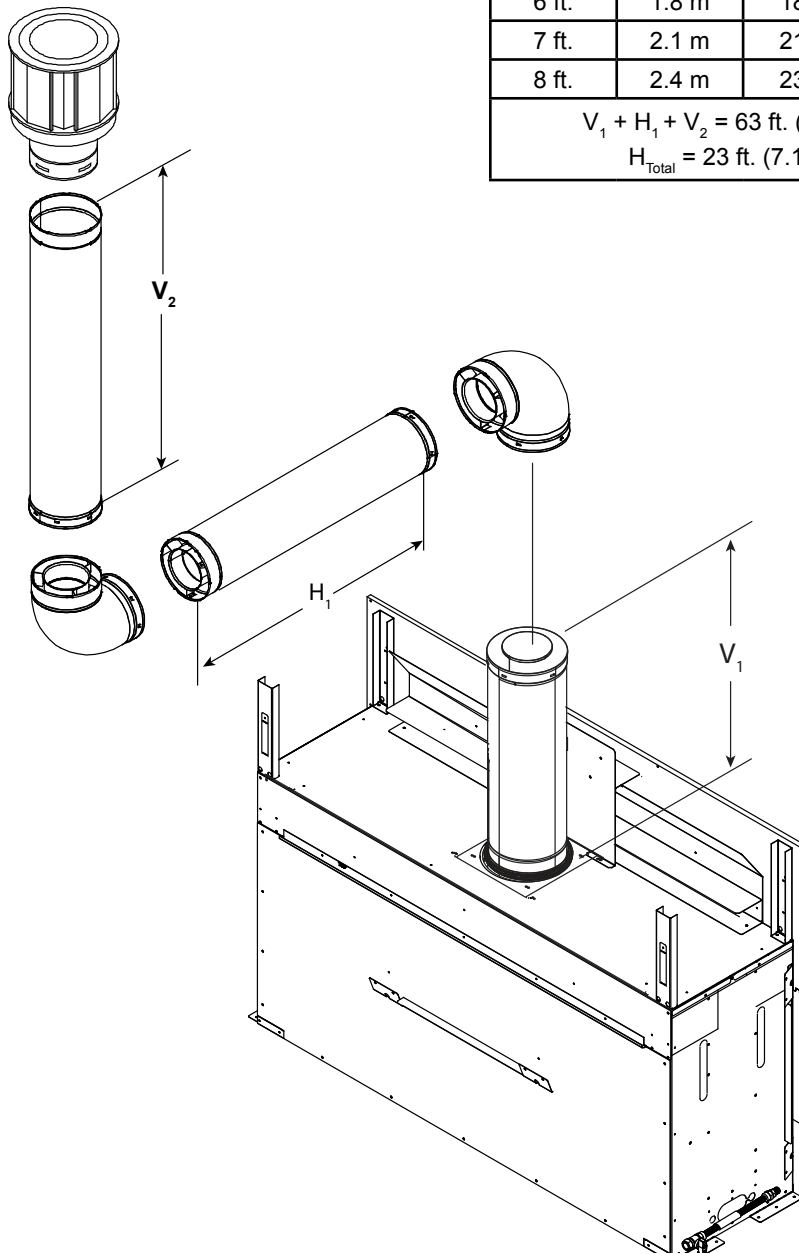


Figure 4.13

Top Vent - Vertical Termination Venting with 3 elbows

WARNING! Risk of Fire!

DO NOT attach elbow directly to the appliance.

- The MEZZO1000-AUB, MEZZO1300-AUB, MEZZO1300ST-AUB, MEZZO1600-AUB require a minimum of 24 in. (610 mm) of vertical venting before attaching any elbow to the appliance.

Note: Use DVP Series components only.

| MEZZO1000-AUB, MEZZO1300-AUB, MEZZO1300ST-AUB, MEZZO1600-AUB | | | |
|---|--------|--|-------|
| V₁ + V₂ Minimum | | H₁ + H₂ Maximum | |
| 2 ft. | 610 mm | 4 ft. | 1.2 m |
| 3 ft. | 914 mm | 9 ft. | 2.7 m |
| 4 ft. | 1.2 m | 12 ft. | 3.6 m |
| 5 ft. | 1.5 m | 15 ft. | 4.5 m |
| 6 ft. | 1.8 m | 18 ft. | 5.4 m |
| 7 ft. | 2.1 m | 21 ft. | 6.3 m |
| 8 ft. | 2.4 m | 23 ft. | 7.1 m |
| V ₁ + V ₂ + H ₁ + H ₂ = 63 ft. (19.2 m) Maximum | | | |
| H ₁ + H ₂ = 23 ft. (7.1 m) Maximum | | | |

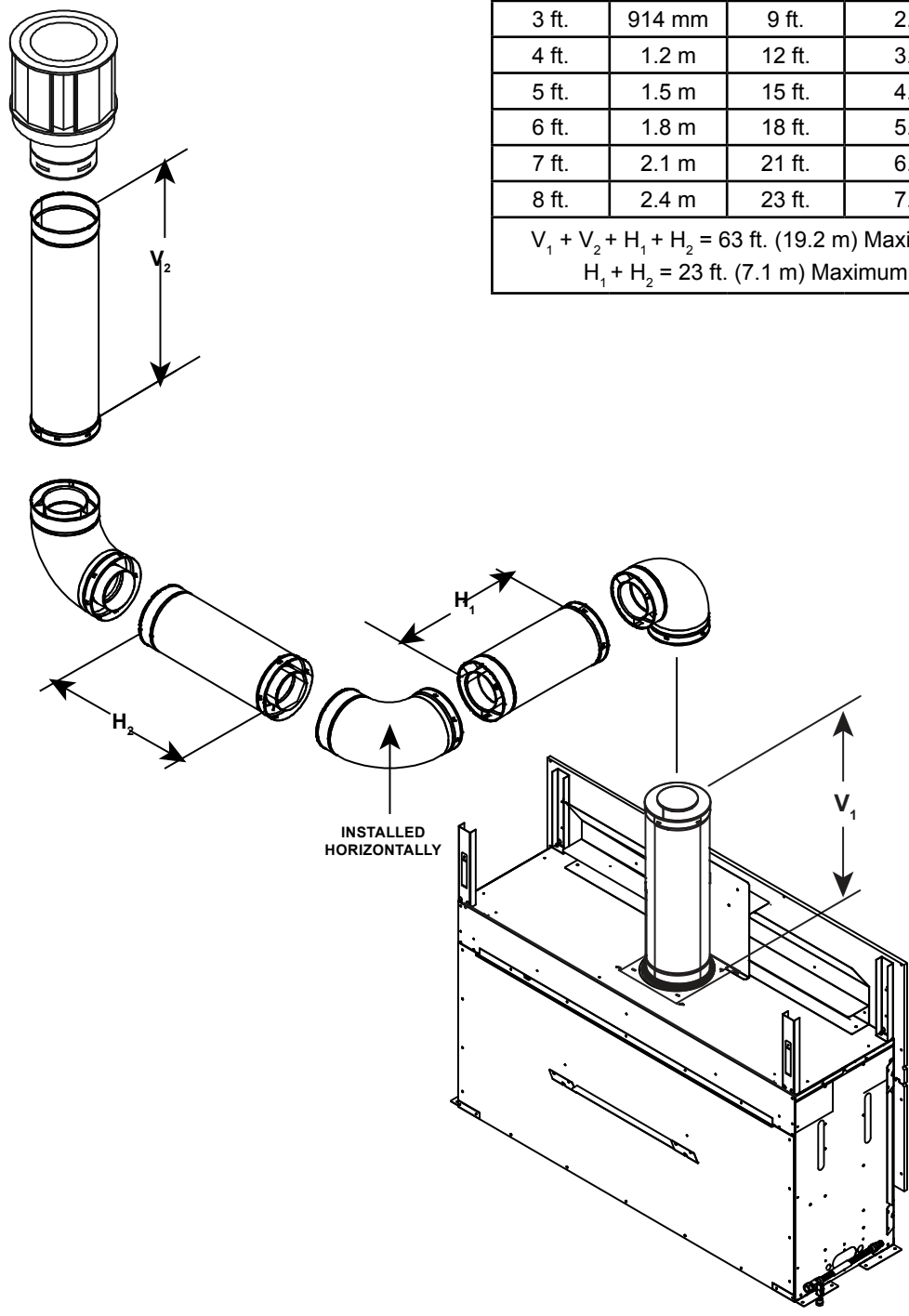


Figure 4.14

H. Power Vent Configurations

The PVLP-SLP-AU power vent is approved for use with this appliance.

Table 4.1 below shows the allowable vent length and elbow combinations when using PVLP-SLP-AU. Refer to the PVLP-SLP-AU instruction manual for limitations and appliance specific requirements.

| Horizontal Termination | | | | | | | | | | | | | | | | |
|---|--------------------------------|--------------------|--------------------|---------------------|---------------------|---------------------|---------------------|---------------------|---------------------|--|--|--|--|------------------------|--|--|
| Total Venting Length (Feet) Includes both horizontal and vertical section of pipe | | | | | | | | | | | | | | | | |
| # of Elbows | 10 ft. (3.05 m) | 20 ft. (6.10 m) | 30 ft. (9.14 m) | 40 ft. (12.19 m) | 50 ft. (15.24 m) | 60 ft. (18.29 m) | 70 ft. (21.34 m) | 80 ft. (24.38 m) | 90 ft. (27.43 m) | | | | | | | |
| 1 | | | | | | | | | | | | | | | | |
| 2 | | | | | | | | | | | | | | | | |
| 3 | ALLOWABLE VENT RUNS | | | | | | | | | | | | | | | |
| 4 | | | | | | | | | | | | | | | | |
| 5 | | | | | | | | | | | | | | | | |
| 6 | | | | | | | | | | | | | | | | |
| 7 | | | | | | | | | | | | | | | | |
| 8 | | | | | | | | | | | | | | | | |
| 9 | | | | | | | | | | | | | | | | |
| 10 | | | | | | | | | | | | | | | | |
| 11 | | | | | | | | | | | | | | | | |
| 12 | | | | | | | | | | | | | | | | |
| | | | | | | | | | | | | | | NOT ALLOWED | | |

Table 4.1 Allowable Vent Runs - Horizontal Termination

5 Vent Clearances and Framing

A. Pipe Clearances to Combustibles

WARNING! Risk of Fire! Maintain air space clearance to vent. DO NOT pack insulation or other combustibles:

- Between ceiling firestops
- Between wall shield firestops
- Around vent system

Failure to keep insulation or other material away from vent pipe could cause overheating and fire.

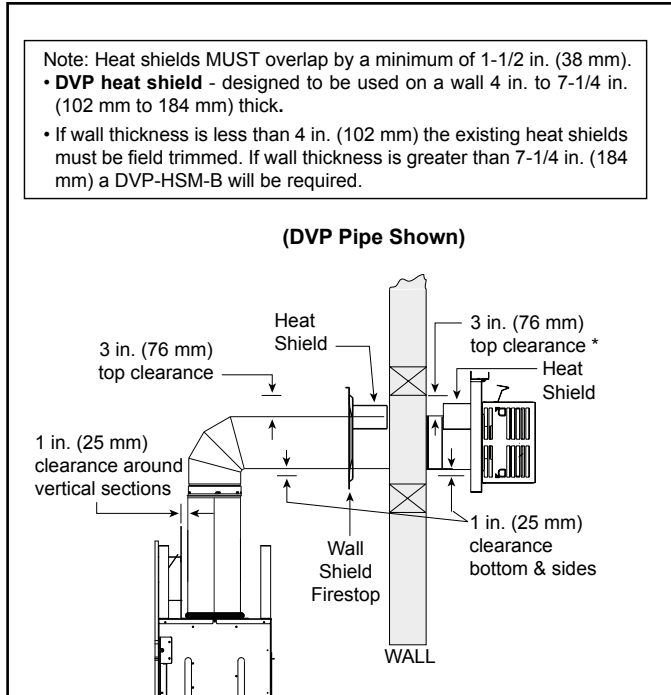


Figure 5.1 Horizontal Venting Clearances To Combustible Materials

B. Wall Penetration Framing/Firestops

Combustible Wall Penetration

Whenever a combustible wall is penetrated, you must frame a hole for the wall shield firestop(s). The wall shield firestop maintains minimum clearances and prevents cold air infiltration.

- The opening must be framed on all four sides using the same size framing materials as those used in the wall construction.
- DVP pipe - A wall shield firestop must be placed on each side of an interior wall. A minimum 1-1/2 in. (38 mm) overlap of attached heat shields must be maintained.
- See Section 7.F. for information for regarding the installation of a horizontal termination cap.

Non-Combustible Wall Penetration

If the hole being penetrated is surrounded by non-combustible materials such as concrete, a hole with diameter one inch greater than the pipe is acceptable.

Note: Do not pack the gap with insulation.

Whenever a non-combustible wall is penetrated, the wall shield firestop is only required on one side and no heat shield is necessary.

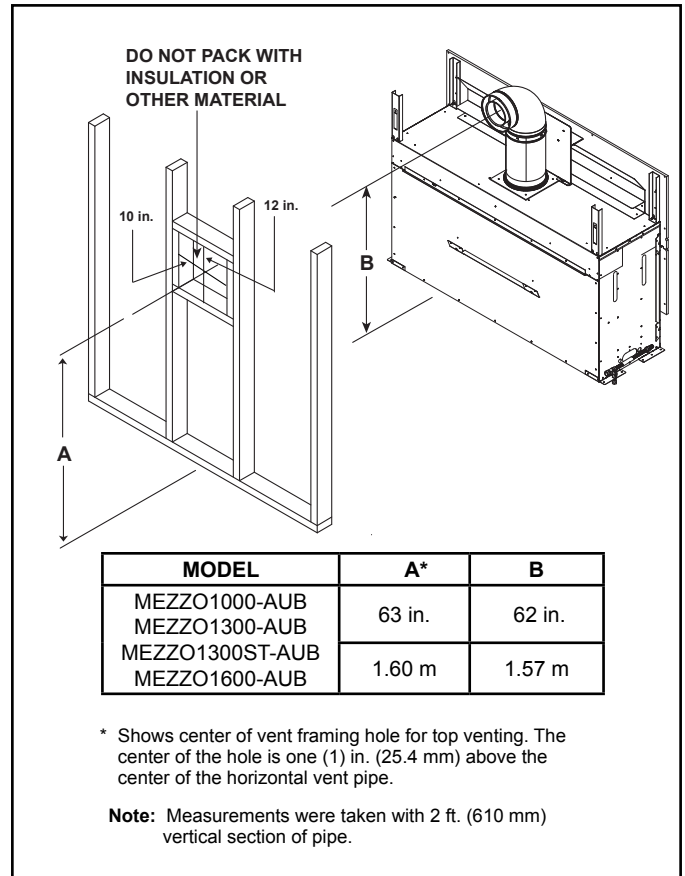


Figure 5.2 Wall Penetration

C. Install the Ceiling Firestop

A ceiling firestop **MUST** be used between floors and attics.

- **DVP pipe only** - Frame an opening 10 in. by 10 in. (254 mm by 254 mm) whenever the vent penetrates a ceiling/floor. See Figure 5.3.
- Frame the area with the same sized lumber as used in ceiling/floor joist.
- The ceiling firestop may be installed above or below the ceiling joists when installed with an attic insulation shield. It must be under joists between floors that are not insulated. Refer to Figure 5.4.
- Secure with two fasteners on each side.

WARNING! Risk of Fire! DO NOT pack insulation around the vent. Insulation must be kept back from the pipe to prevent overheating.

D. Install Attic Insulation Shield

WARNING! Fire Risk. DO NOT allow loose materials or insulation to touch vent. Hearth & Home Technologies requires the use of an attic shield.

The International Fuel Gas Code requires an attic shield constructed of 26 gauge minimum steel that extends at least 2 in. (51 mm) above insulation.

- Attic insulation shields must meet specified clearances to combustible materials and be secured in place.
- An attic insulation shield kit is available from Hearth & Home Technologies. Contact your dealer to order. Install attic insulation shield according to instructions included with kit.

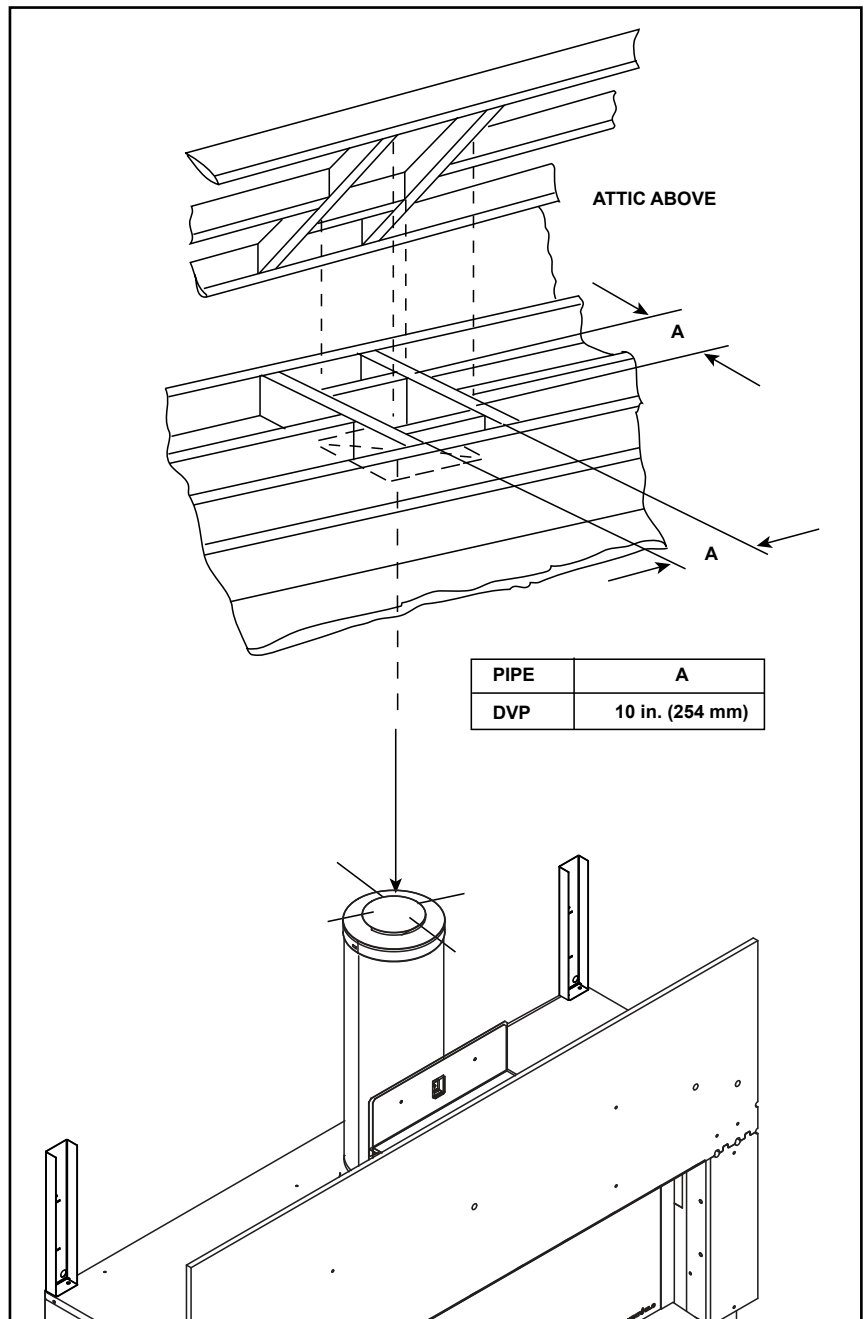


Figure 5.3 Installing Ceiling Firestop

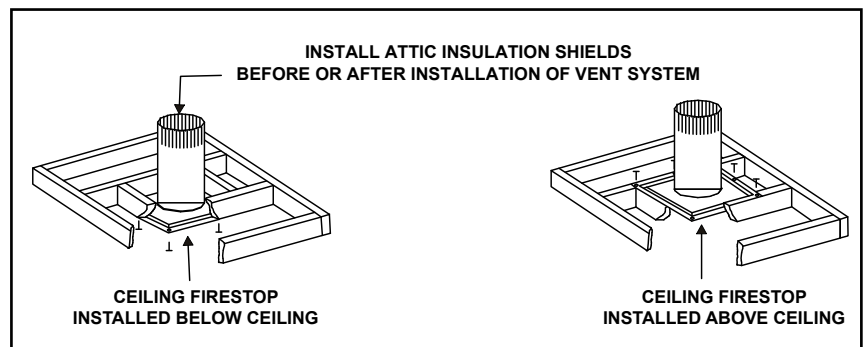


Figure 5.4 Installing the Attic Shield

E. Installing the Optional Heat-Zone® Kit

Preliminary Preparation

1. Plan the location of the heater and the warm air duct run(s). See Figure 5.5 for potential installation options.

Venting Guidelines:

MAXIMUM Duct Run = 6 m for useful heat output. Insulated duct included with kit will not lose significant heat.

MINIMUM Duct Run = None: For runs out from the heater to adjacent room OR down to the room below.

MINIMUM Duct Run = 787 mm top of heater to room above.

- Maintain smooth turns in duct to ensure maximum heat output.
- If using optional non-insulated pipe, as described in Step 8, heat loss will occur and shorter duct runs will yield higher heat output.

Installation

2. Locate the Heat-Zone® ports on the left and right sides of the appliance. See Figure 5.6. Remove the knockouts from the appliance with a tin snips.

3. Place the Heat-Zone® adapter box into position prior to the final positioning of the fireplace as shown in Figure 5.6. Secure using eight self-tapping screws. Ensure the Heat-Zone® knockouts are completely covered by the adapter box.
4. Center the duct collar around the exposed hole and attach it to the appliance with 3 screws.

Note: The adapter box will protrude out farther than the 25 mm standoffs on the appliance.

The Heat-Zone® 240V kit is tested and safe when installed in accordance with this installation manual. This kit is carefully engineered and must be installed only as specified. Modifying the kit or any of its components will void the warranty, and may possibly cause a fire hazard.

CAUTION: Installation of this appliance should only be carried out by an authorized person. All relevant codes and regulations laid down by the gas piping authorities, municipal building regulations, electrical wiring regulations and the requirements of the AS5601 Gas Installation code must be observed.

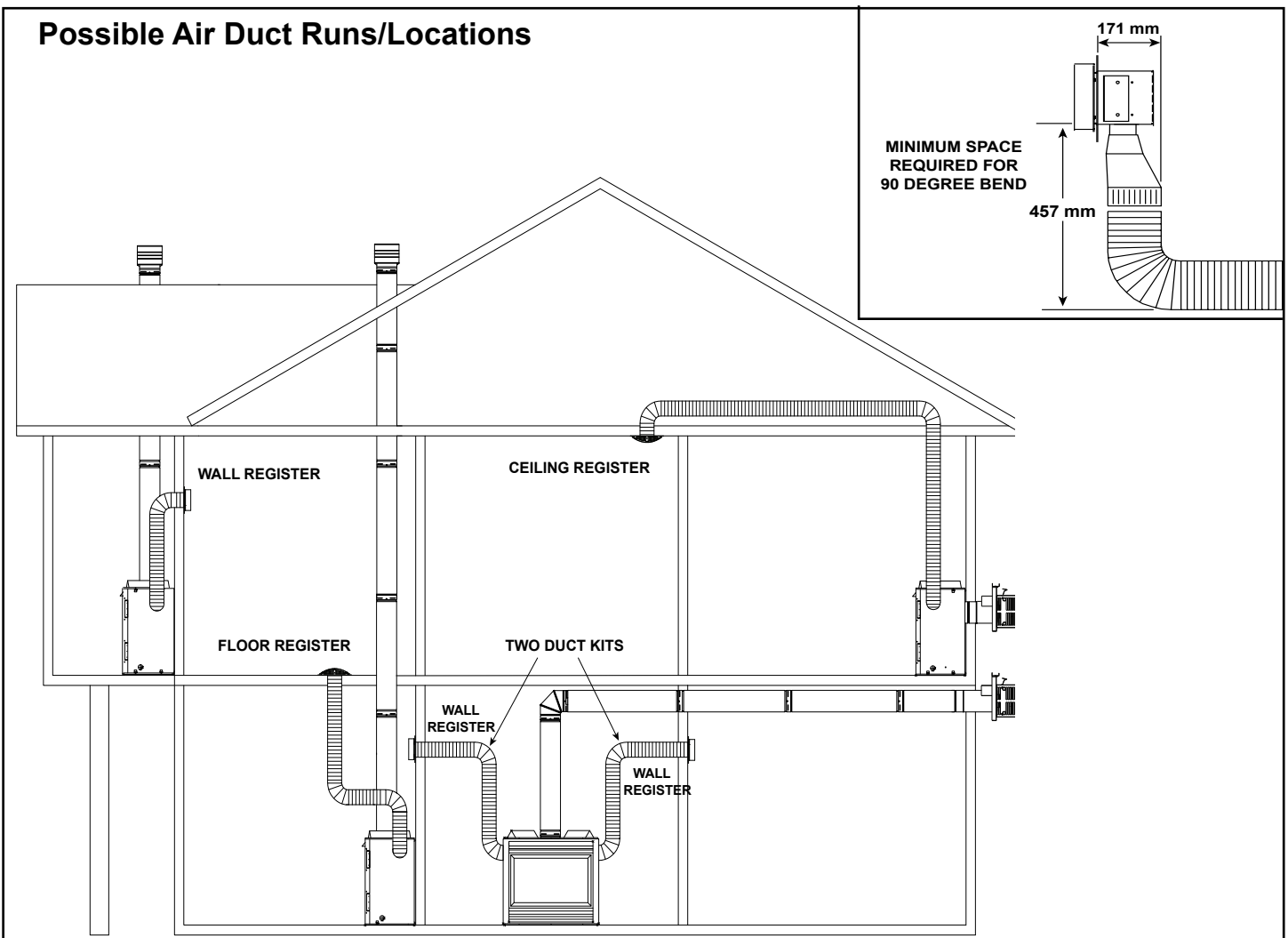


Figure 5.5 Air Duct Runs

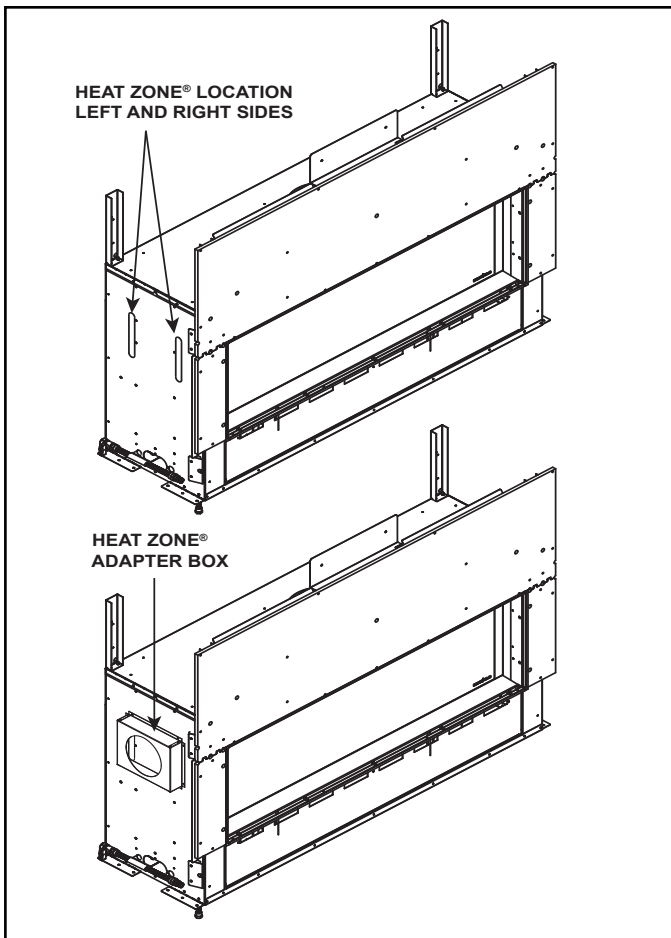


Figure 5.6 Adapter Box

5. Determine the location for the air register/fan housing assembly. Cut a 127 x 346 mm hole between framing members (wall studs or floor joists).
6. Mount and secure the fan housing assembly to framing members so the front surface is 6 mm below the finished wall or floor surface. Use the adjustable mounting brackets and screws provided in the kit. See Figure 5.7. **NOTE:** The brackets can be rotated 180° and mounted to the back side of the framing member if necessary.

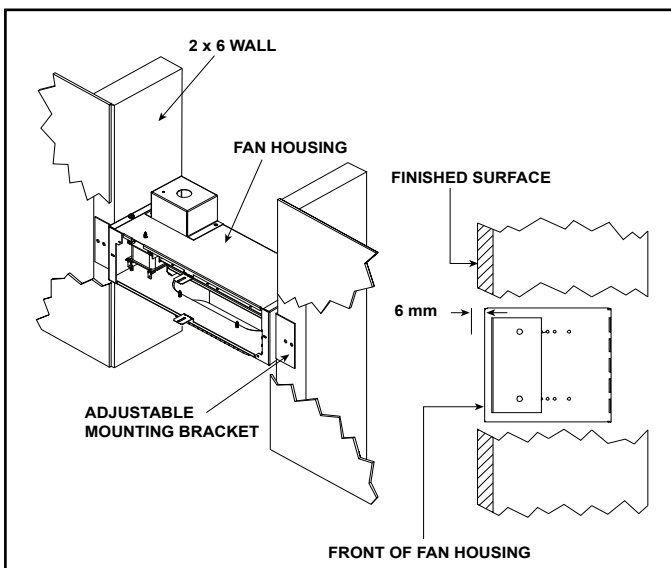


Figure 5.7 Fan Housing Mounting 2 x 6 Wall

NOTE: If the fan housing is installed in a 2 x 4 wall, the front of the housing will protrude approximately 13 mm out of the wall. See Figure 5.8.

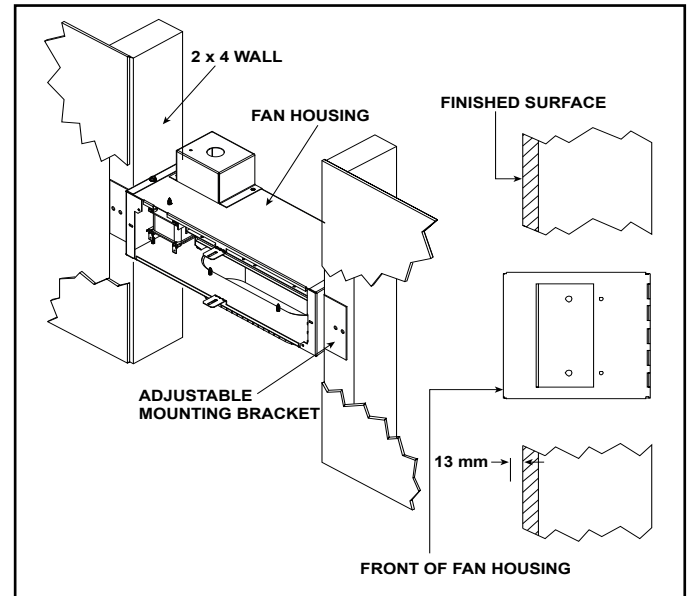


Figure 5.8 Fan Housing Mounting 2 x 4 Wall

7. Install the air duct run. **NOTE:** Fold outer poly layer of flexible duct back to maintain clearance to combustibles on the fireplace. Secure liner to the collar with clamp.
8. **ROUND AIR DUCT:** Attach the 152 mm round air duct (supplied in the kit) to the heater collar and run the duct to the fan housing. Attach the round-to-oval adapter to the fan housing and the air duct to the adapter. See Figure 5.9.

OPTIONAL NON-INSULATED OVAL AIR DUCT: **NOTE:** 152 mm metal oval air duct is NOT provided with this kit but can be purchased from a heating or air conditioning ventilation supplier. Attach the round-to-oval adapter to the heater starting collar and a 152 mm oval duct to the adapter. Complete the duct run and attach the oval duct to the fan housing.

ROUND and OVAL DUCT: A combination of 152 mm round and 152 mm oval air duct can be used in the duct run. Oval duct components must be purchased from a heating or air conditioning ventilation supplier.

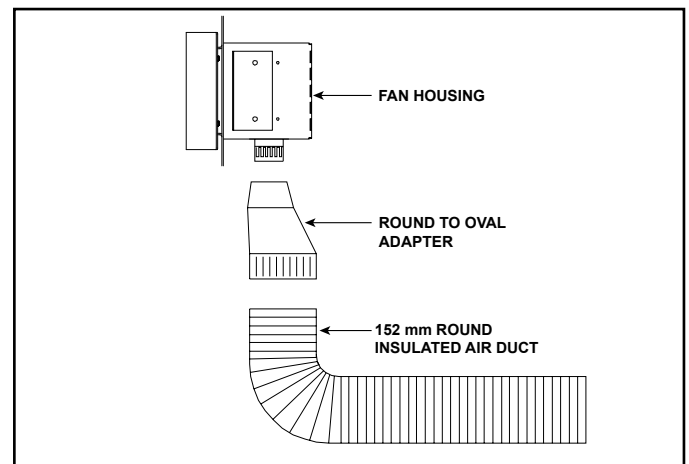


Figure 5.9 Duct Attachment

9. Support duct at intervals of no greater than 1.2 m with no more than 13 mm sag between supports or as required per local code. Secure the duct so that clearance to the outer wrap of the fireplace is maintained.
10. 240 VAC will be provided by AUX300CE module. Connect 2166-191 jumper to AUX1 of AUX300CE module. Using wire connectors, secure wires to 2166-191 jumper and run to fan junction box. Inside of fan junction box, secure wires to fan wires using wire connectors and screw the ground wire to the fan junction box. See figure 5.10.
11. Screw the fan junction box to the fan housing.
12. Screw the register to the fan housing using tabs and two black screws. See Figure 5.11.
13. Complete the heater installation per instructions.

NOTE: One or two Heat-Zone® kit(s) may be run off the AUX1 port. If independent fan control is desired, one Heat-Zone® kit may be ran through the AUX1 port and the other through the fan port on the AUX300CE as shown in product wiring diagram in product installation manual.

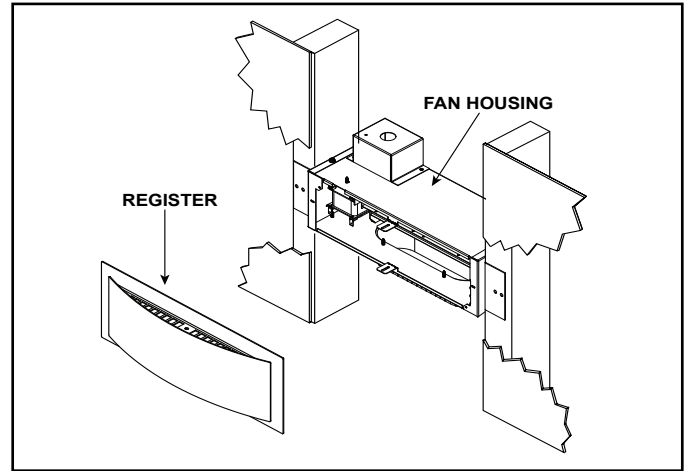


Figure 5.11 Register Attachment

Operation

1. Start the heater per instructions and allow it to warm up.
2. Turn the wall switch "ON" to start air flow at the air duct register or use RC300 remote to turn on blower.

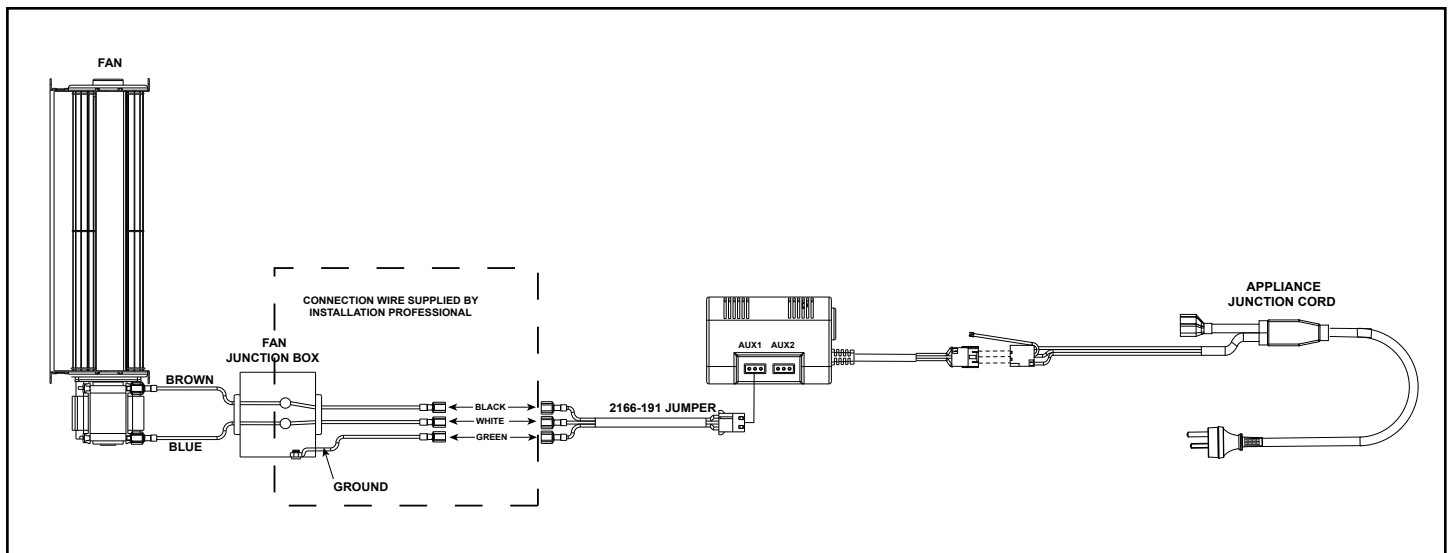


Figure 5.10

Maintenance

1. Service and maintain the gas heater per instructions.
2. Keep the air register(s) clean and free of any blockage.
3. Reference IPI Plus instructions with remote control for fan auxiliary control.

6 Appliance Preparation

A. Top Standoff Preparaton

CAUTION! Risk of Cuts, Abrasions or Flying Debris. Wear protective gloves and safety glasses during installation. Sheet metal edges are sharp.

1. Rotate the four (4) top standoffs up into vertical position. Push the standoff support tab on each standoff toward the center of the appliance and fasten it in place using the supplied screw and pilot hole. See Figure 6.1.

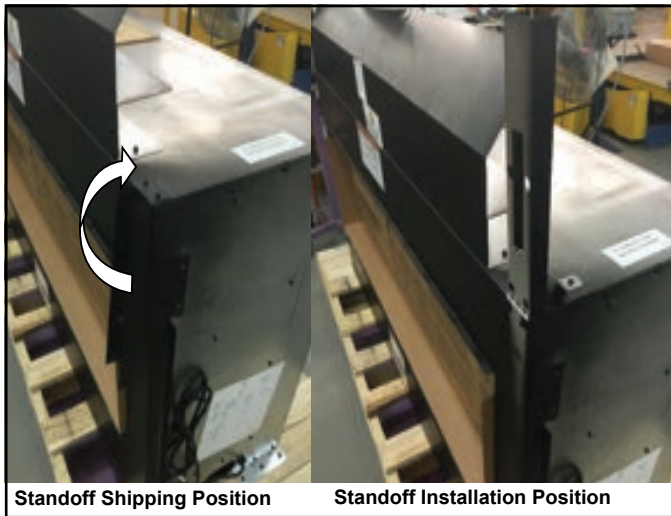


Figure 6.1 Standoffs in Vertical Position

B. Vent Collar Preparation

1. Remove and discard shipping screw. Bend the pipe heat shield up into vertical position. See Figure 6.2.
2. Position the pipe heat shield up against the header and attach to header with two screws.

WARNING! Risk of Fire! Pipe heat shield must be fastened to header.

3. Place a 24 in. (610 mm) vent section on the starting collar.

WARNING! Risk of Fire!

DO NOT attach elbow directly to the appliance.

- The MEZZO1000-AUB, MEZZO1300-AUB, MEZZO1300ST-AUB and MEZZO1600-AUB require a minimum of 24 in. (610 mm) of vertical venting before attaching any elbow to the appliance.
4. Place the 1/8 in. (3 mm) thick, square fiberglass gasket over the initial 24 in. (610 mm) vent section.
 5. Place the fiberglass rope ring over the gasket. Ensure both the gasket and the rope ring are seated on the top of the appliance.

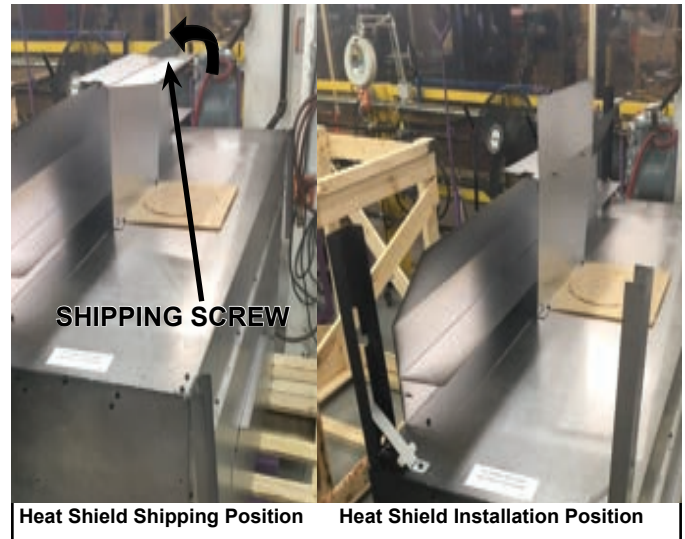


Figure 6.2 Pipe Heat Shield in Vertical Position

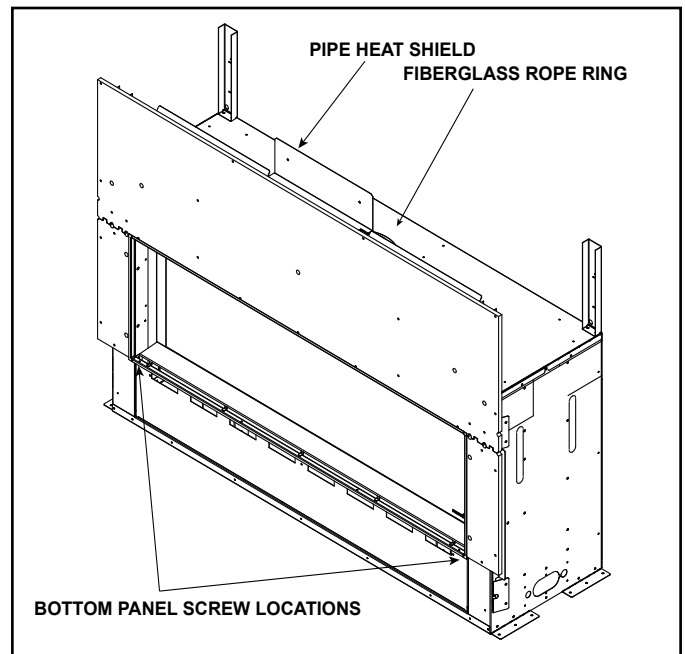


Figure 6.3 Location of Fiberglass Rope Ring

C. Securing and Leveling the Appliance

WARNING! Risk of Fire! Prevent contact with:

- Sagging or loose insulation
- Insulation backing or plastic
- Framing and other combustible materials

Block openings into the chase to prevent entry of blown-in insulation. Make sure insulation and other materials are secured.

DO NOT notch the framing around the appliance standoffs. Failure to maintain air space clearance could cause overheating and fire.

To properly position, level, and secure the appliance, see below. Nailing tabs are provided to secure the appliance to the framing members.

- Bend out the two nailing tabs on each side.
- Place the appliance into position.
- Keep nailing tabs flush with the framing. See Figure 6.4.
- Level the appliance from side to side and front to back.
- Shim the appliance as necessary. It is acceptable to use wood shims underneath the appliance.
- Secure the appliance to the framing by using nails or screws through the nailing tabs.

Some figures in manual show the fireplace installed on the floor. However, this fireplace can be elevated off the floor provided that the fireplace is properly supported by framing materials and the ceiling clearances are maintained.

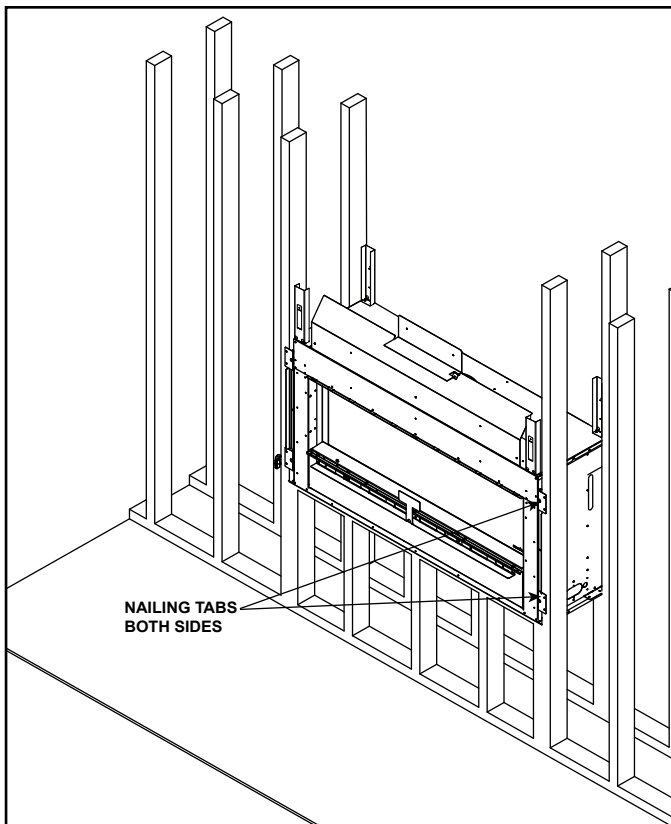


Figure 6.4 Nailing Tab Locations

Setting the Fireplace into the Framing

The left and right nailing tabs were designed as a means to ensure the fireplace is mounted flush with the framing materials. See Figures 6.4-6.6

1. The shipping flanges protrude further out from the appliance than the side standoffs. The shipping flange may be bent upward or broken off in order to place the appliance into position in the framing.
2. Bend out all nailing tabs. The see-through model will have eight nailing tabs. The single-sided model will have four nailing tabs.
3. Screw each nailing tab to the adjoining framing material. Ensure that the one inch air space clearance is maintained on the sides and back of the fireplace. See Figures 3.5-3.8 for framing and clearance details.

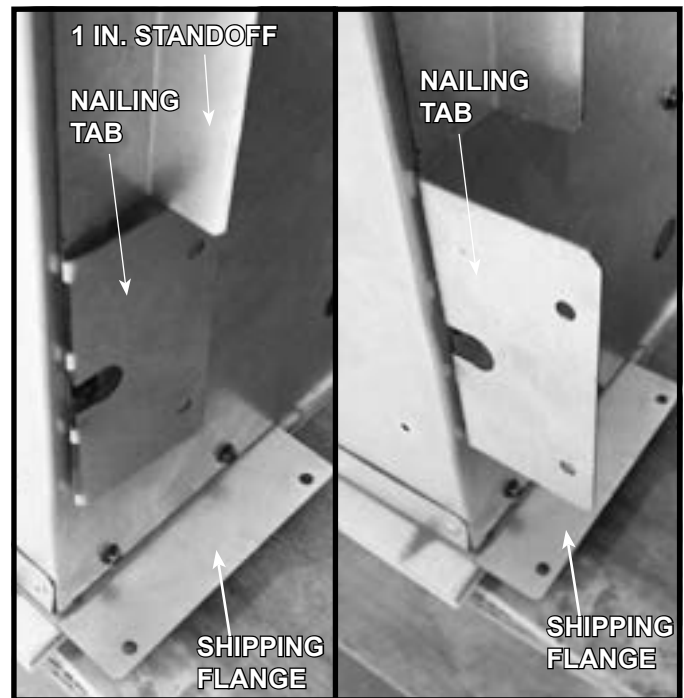


Figure 6.5 Nailing Tabs Shipping Position

Figure 6.6 Nailing Tabs Installation Position

D. Installing Non-Combustible Facing Material

WARNING! Risk of Fire!

- Follow these instructions exactly.
- Facing materials must be installed properly to prevent fire.
- No materials may be substituted without authorization by Hearth & Home Technologies.
- Remove protective cardboard sleeve from non-combustible facing pieces, which are included with the appliance.
- Install non-combustible facing material to the appliance using the 2 in. (51 mm) screws supplied in the manual bag assembly. There may be extra screws included.
- Attach top board to the framing members with regular sheetrock screws or nails. See Figure 6.7.
- Attach left and right side pieces to framing members with regular sheetrock screws or nails.
- Use a wet or dry towel or soft brush to remove dust or dirt from facing material.
- See Section 10 for finishing materials guidelines.

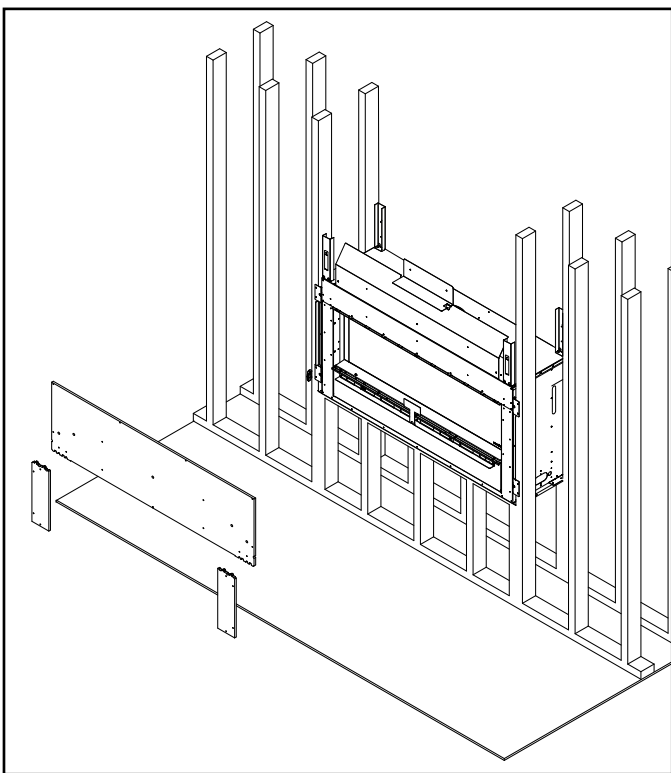


Figure 6.7 Install Factory-Included Non-Combustible Facing Material

7 Venting and Chimneys

A. Assemble Vent Sections

Attach Vent to the Firebox Assembly

Note: The end of the pipe sections with the lanced tabs will face toward the appliance.

Attach the first pipe section to the starting collar:

- Lanced pipe end of the starting collar.
- Inner pipe over inner collar.
- Push the pipe section until all lanced tabs snap in place.
- Lightly tug on pipe to confirm it has locked.

Required Commercial, Multi-family (Multi-level exceeding two stories), or High-Rise Applications

All outer pipe joints must be sealed with 100% silicone (300 °F (149 °C) minimum continuous exposure rating), including the slip section that connects directly to the horizontal termination cap.

- Apply a bead of silicone sealant (149 °C (300 °F) minimum continuous exposure rating) inside the female outer pipe joint prior to joining sections. See Figure 7.1. **OR**

Apply a bead of silicone sealant (149 °C (300 °F) minimum continuous exposure rating) to the outside of connecting joint after joining sections **OR**

Apply aluminum foil tape (149 °C (300 °F) minimum continuous exposure rating) to the outside of connecting joint after joining sections. On horizontal pipe runs, it is recommended that the tape seam is positioned on the bottom side of the vent pipe.

- Only outer pipes need to be sealed. All unit collar, pipe, slip section, elbow and cap outer flues shall be sealed in this manner, unless otherwise stated.

WARNING! Risk of Fire or Explosion! DO NOT break silicone seals on slip sections. Use care when removing termination cap from slip pipe. If slip section seals are broken during removal of the termination cap, vent could leak.

Assemble Pipe Sections

Per Figure 7.2:

- Start the inner pipe on the lanced end of section A into the flared end of section B.
- Start the outer pipe of section A over the outer pipe of section B.
- Once both vents sections are started, push firmly until all lanced tabs lock into place.
- Lightly tug on the pipe to confirm the tabs have locked.

It is acceptable to use screws no longer than 1/2 in. (13 mm) to hold outer pipe sections together. If predrilling holes, **DO NOT** penetrate inner pipe.

For 90° and 45° elbows that are changing the vent direction from horizontal to vertical, one screw minimum should be put in the outer flue at the horizontal elbow joint to prevent the elbow from rotating. Use screws no longer than 1/2 in. (13 mm). If predrilling screw holes, **DO NOT** penetrate inner pipe.



Figure 7.1 High Temperature Silicone Sealant

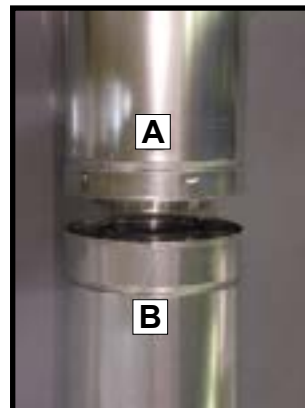


Figure 7.2

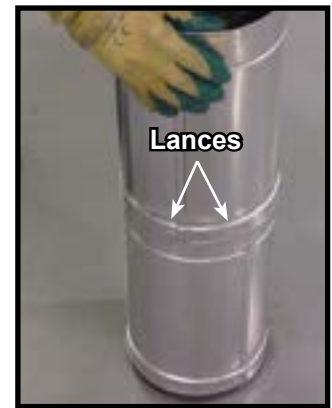


Figure 7.3

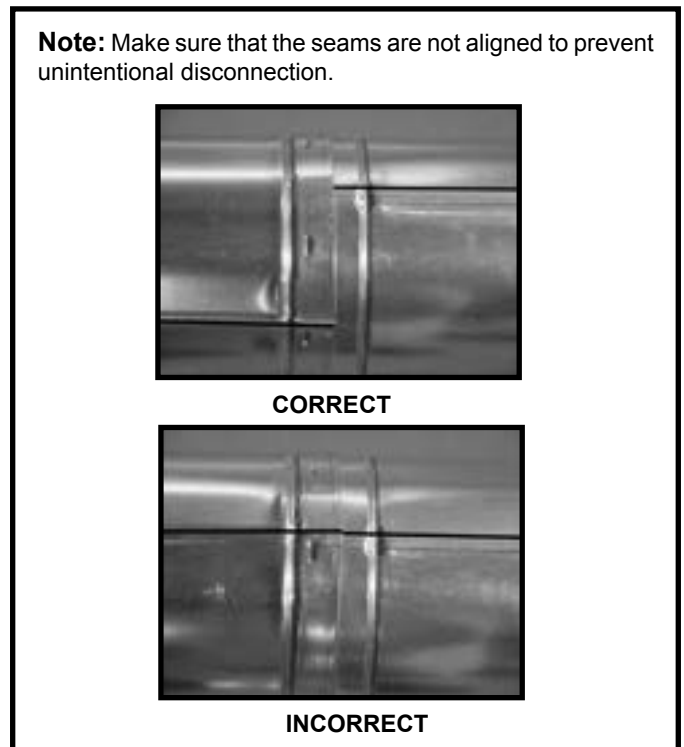


Figure 7.4 Seams

B. Assemble Slip Sections

- Slide the inner flue of the slip section into the inner flue of the pipe section and the outer flue of the slip section over the outer flue of the pipe section. See Figure 7.5.
- Slide together to the desired length.

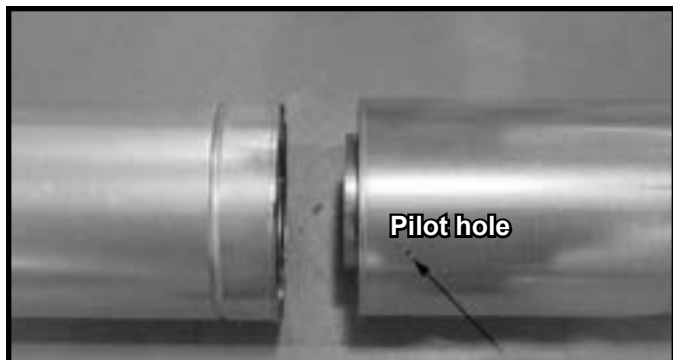


Figure 7.5 Slip Section Pilot Holes

- Maintain a 1-1/2 in. (38 mm) overlap between the slip section and the pipe section.
- Secure the pipe and slip section with two screws no longer than 1/2 in. (13 mm), using the pilot holes in the slip section. See Figure 7.6.

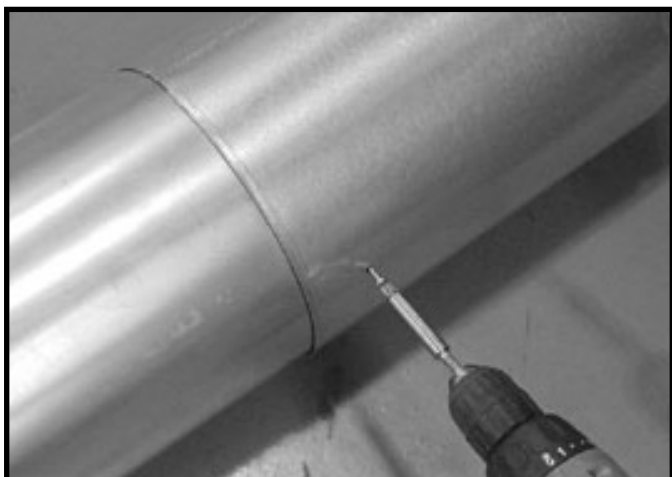


Figure 7.6 Screws into Slip Section

- Continue adding pipe as necessary following instructions in “Assembling Pipe Sections.”

NOTICE: If slip section is too long, the inner and outer flues of the slip section can be cut to the desired length.

NOTICE: When installing a vent system with an HRC termination cap, all pipe system joints shall be sealed using a silicone sealant with a minimum of 300 °F (149 °C) continuous exposure rating.

- Apply a bead of silicone sealant inside the female outer pipe joint prior to joining sections.
- Only outer pipes are sealed, sealing the inner flue is not required.
- All unit collar, pipe, slip section, elbow and cap outer flues shall be sealed.

C. Secure The Vent Sections

- Vertical runs originating off the top of the appliance, with no offsets, must be supported every 8 ft. (2.44 m) after the maximum allowed 25 ft. (7.62 m) of unsupported rise.
- Vertical runs, after any elbow, must be supported every 5 ft. (1.52 m).
- Horizontal runs must be supported every 5 ft. (1.52 m).
- Vent supports or plumbers strap (spaced 120° apart) may be used to support. See figures 7.7 and 7.8.
- Wall shield firestops may be used to provide horizontal support.
- Ceiling firestops have tabs that may be used to provide vertical support.

WARNING! Risk of Fire, Explosion or Asphyxiation! Improper support could allow vent to sag and separate. Use vent run supports and connect vent sections per installation instructions. **DO NOT** allow vent to sag below connection point to appliance.

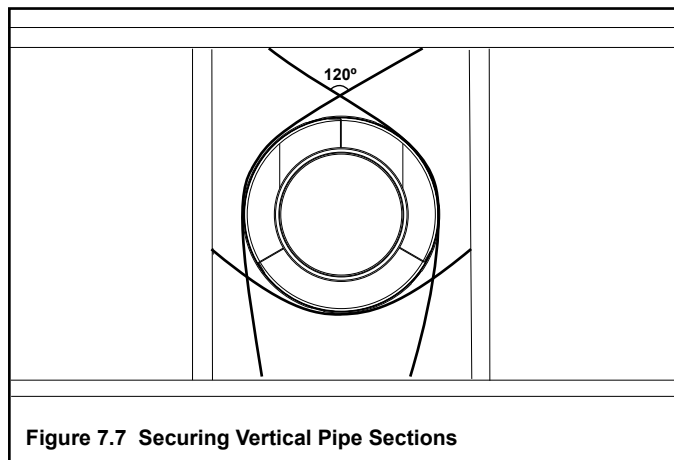


Figure 7.7 Securing Vertical Pipe Sections

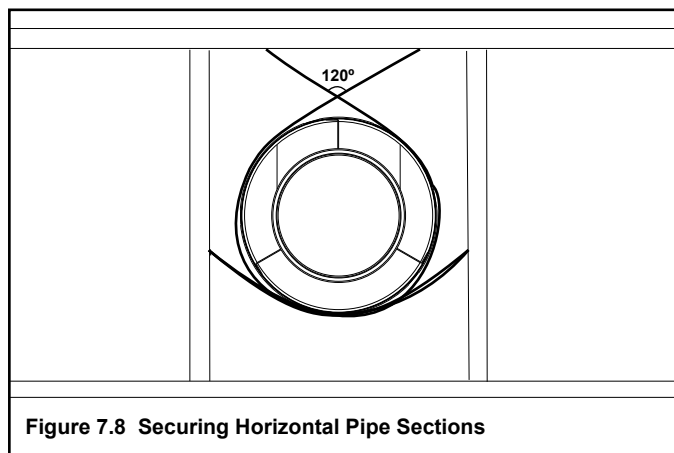


Figure 7.8 Securing Horizontal Pipe Sections

D. Disassemble Vent Sections

- Rotate either section (see Figure 7.9) so the seams on both pipe sections are aligned as shown in Figure 7.10
- Pull carefully to separate the pieces of pipe.

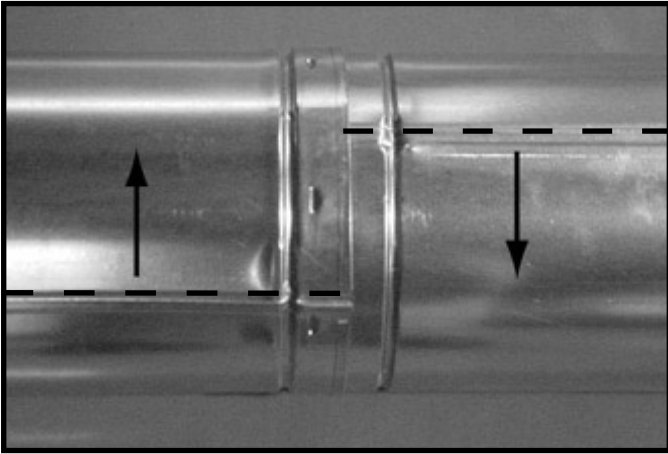


Figure 7.9 Rotate Seams for Disassembly

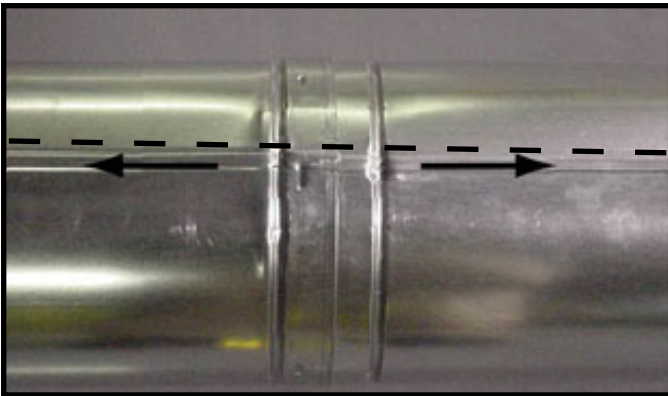
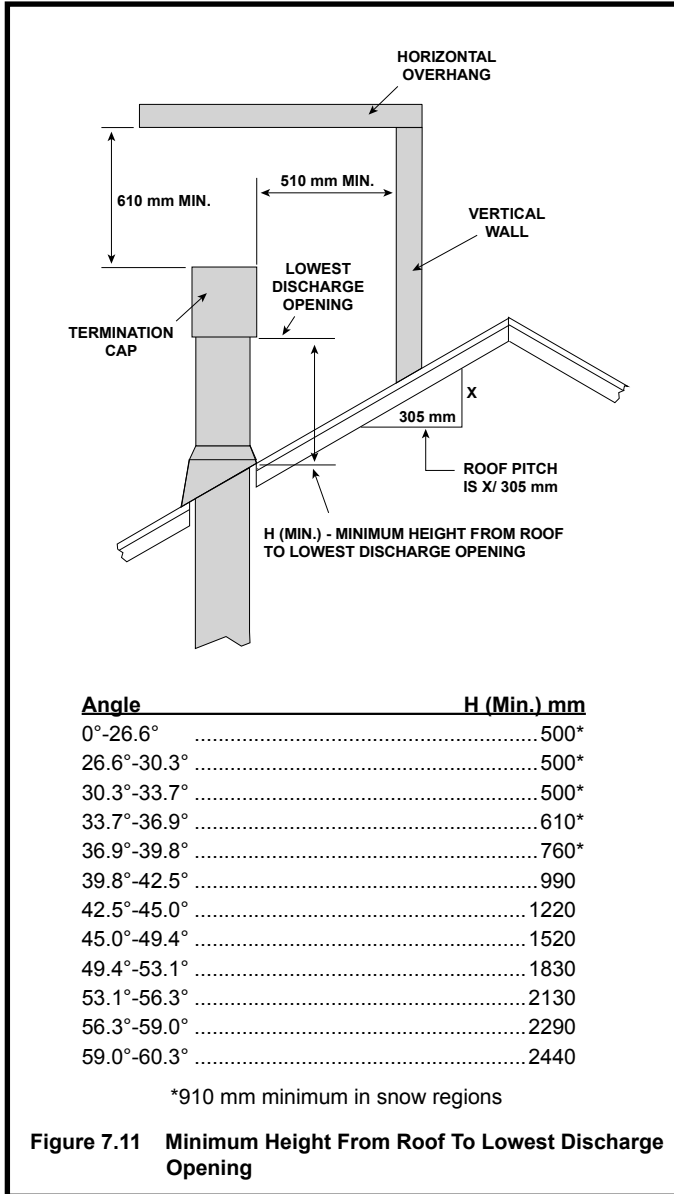


Figure 7.10 Align and Disassemble Vent Sections

E. Vertical Termination Requirements

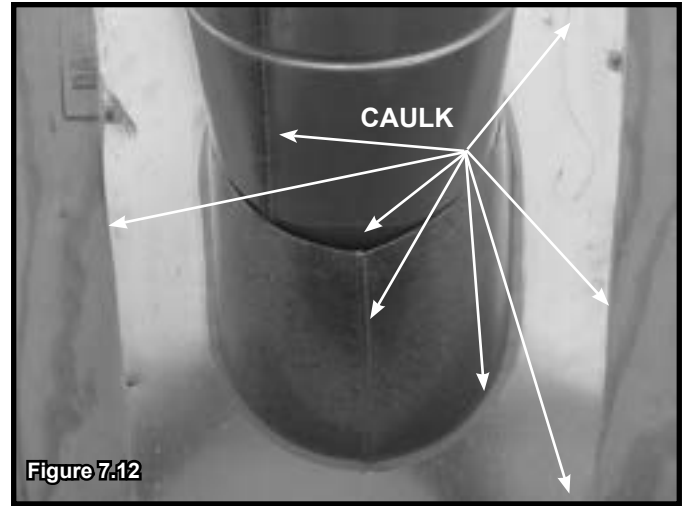
Install Metal Roof Flashing

- See minimum vent heights for various pitched roofs (Figure 7.11) to determine the length of pipe to extend through the roof.
- Slide the roof flashing over the pipe sections extending through the roof as shown in Figure 7.12.



NOTICE: Failure to properly caulk the roof flashing and pipe seams could permit entry of water.

- Caulk the gap between the roof flashing and the outside diameter of the pipe.
- Caulk the perimeter of the flashing where it contacts the roof surface. See Figure 7.12.
- Caulk the overlap seam of any exposed pipe sections that are located above the roof line.



Assemble and Install Storm Collar

CAUTION! Risk of Cuts, Abrasions or Flying Debris. Wear protective gloves and safety glasses during installation. Sheet metal edges are sharp.

- Slide the storm collar onto the exposed pipe section and align brackets.
- Insert a bolt (provided) through the brackets and install nut. Do not completely tighten. See Figure 7.13.



- Slide the assembled storm collar down the pipe section until it rests on the roof flashing (see Figure 7.14).
- Tighten nut and make sure the collar is tight against the pipe section.
- Caulk around the top of the storm collar. See Figure 7.14.

Install Vertical Termination Cap

- Attach the vertical termination cap by sliding the inner collar of the cap into the inner flue of the pipe section while placing the outer collar of the cap over the outer flue of the pipe section.
- Secure the cap by driving three self-tapping screws (supplied) through the pilot holes in the outer collar of the cap into the outer flue of the pipe. See Figure 7.14.



Figure 7.14

F. Horizontal Termination Requirements

Heat Shield Requirements for Horizontal Termination

WARNING! Risk of Fire! To prevent overheating and fire, heat shields must extend through the entire wall thickness.

- **DO NOT** remove the heat shields attached to the wall shield firestop and the horizontal termination cap (shown in Figure 7.15).
- Heat shields must overlap 1-1/2 in. (38 mm) minimum.

There are two sections of the heat shield. One section is factory-attached to the wall shield firestop. The other section is factory-attached to the cap. See Figure 7.15.

If the wall thickness does not allow the required 1-1/2 in. (38 mm) heat shield overlap when installed, an extended heat shield must be used.

- If the wall thickness is less than 4 in. (102 mm), the heat shields on the cap and wall shield firestop must be trimmed. A minimum 1-1/2 in. (38 mm) overlap **MUST** be maintained.
- Use an extended heat shield if the finished wall thickness is greater than 7-1/4 in. (184 mm).
- The extended heat shield may need to be cut to length maintaining sufficient length for a 1-1/2 in. (38 mm) overlap between heat shields.
- Attach the extended heat shield to either of the existing heat shields using the screws supplied with the extended heat shield. Refer to vent components diagrams in the back of this manual.
- Rest the small leg on the extended heat shield on top of the pipe section to properly space it from the pipe section.

Important Notice: Heat shields may not be field constructed.

Install Horizontal Termination Cap

WARNING! Risk of Fire! The telescoping flue section of the termination cap **MUST** be used when connecting vent.

- 1-1/2 (38 mm) minimum overlap of flue telescoping section is required. Failure to maintain overlap could cause overheating and fire.
- Vent termination must not be recessed in the wall. Siding may be brought to the edge of the cap base.
- Flash and seal as appropriate for siding material at outside edges of cap.

CAUTION! Risk of Burns! Local codes may require installation of a cap shield to prevent anything or anyone from touching the hot cap.

NOTICE: For certain exposures which require superior resistance to wind-driven rain penetration, a flashing kit and HRC caps are available. When penetrating a brick wall, a brick extension kit is available for framing the brick.

Note: When using termination caps with factory-supplied heat shield attached, no additional wall shield firestop is required on the exterior side of a combustible wall.

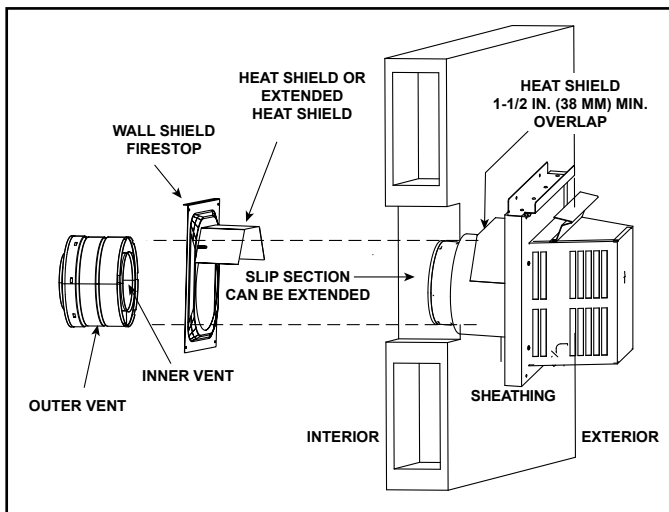


Figure 7.15 Venting Through the Wall

8 Electrical Information

A. General Information

WARNING! Risk of Shock or Explosion! DO NOT wire 220/240 VAC to the valve or to the appliance wall switch. Incorrect wiring will damage controls.

- Wire the appliance junction cord to unswitched 220/240 VAC. This is required for proper operation of the appliance.
- A 220/240 VAC circuit for this product must be protected with ground-fault circuit-interrupter protection, in compliance with the applicable electrical codes, when it is installed in locations such as in bathrooms or near sinks.
- Low voltage and 220/240 VAC voltage cannot be shared within the same wall box.

Electrical Service and Repair

WARNING! Risk of Shock! Label all wires prior to disconnection when servicing controls. Wiring errors can cause improper and dangerous operation. Verify proper operation after servicing.

WARNING! Risk of Shock! Replace damaged wire with type 105 °C rated wire. Wire must have high temperature insulation.

Accessories Requirements

- This appliance may be used with a wall switch, wall mounted thermostat and/or a remote control.

Wiring for optional Hearth & Home Technologies approved accessories should be done now to avoid reconstruction. Follow instructions that come with those accessories.

Junction Cord Installation

WARNING! Risk of Shock! Label all wires prior to disconnection when servicing controls. Wiring errors can cause improper and dangerous operation. Verify proper operation after servicing.

WARNING! Risk of Shock! Replace damaged wire with type 105 °C rated wire. Wire must have high temperature insulation.

1. Remove bottom metal panel by removing two screws. Screw locations are shown in Figure 8.1. After removing two screws, gently lift the panel off the appliance avoiding contact with the non-combustible board if possible.
2. Remove screws on left and right sides of component heat shield and lift it out of the control cavity.

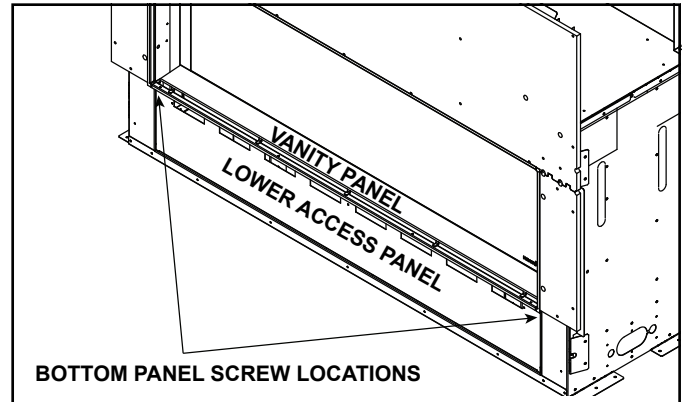


Figure 8.1 Lower Access Panel Location

3. Make the connection inside the junction cord to the 220/240V wire. Connect green to the ground nut, black to black, and white to white.
4. To reattach the junction cord, insert one end of the junction cord in the slot provided and securely screw the other end of the junction cord to the control tray panel.
5. Reinstall component heat shield.

CAUTION! Risk of Overheating! Component heat shield **MUST** be installed before operating appliance. Electrical components will be damaged.

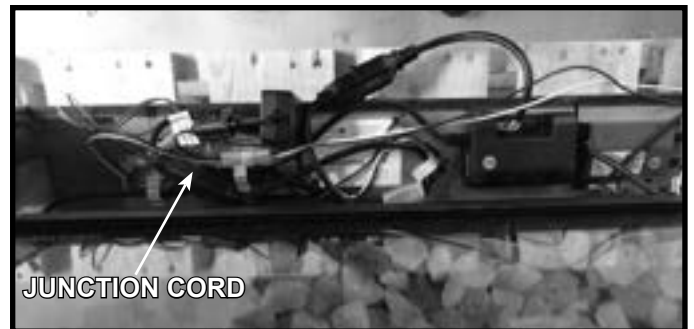


Figure 8.2 Junction Cord Detail

In the event that the junction cord may need to be accessed or installed after finish methods have been applied, access is possible by removing the vanity panel.

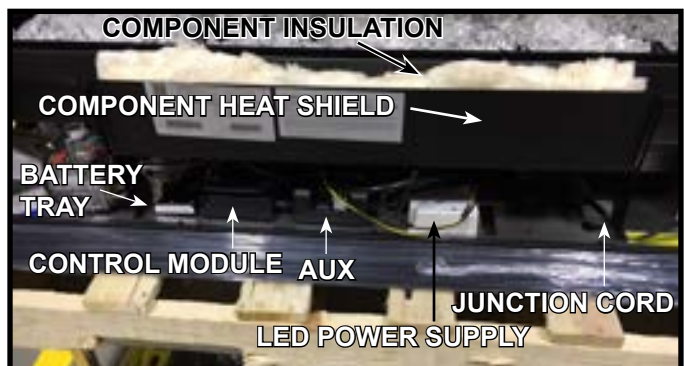


Figure 8.3. Valve Cavity (Lower Access Panel Removed)

B. Wiring Requirements

IntelliFire™ Plus Ignition System Wiring

- Wire the appliance junction cord to 220/240 VAC for proper operation of the appliance.

WARNING! Risk of Shock or Explosion! DO NOT wire IPI controlled appliance junction cord to a switched circuit. Incorrect wiring will override IPI safety lockout.

- Refer to Figure 8.4, IPI Wiring Diagram.
- This appliance is equipped with an IntelliFire™ Plus control valve which operates on a 6 volt/1.5 AMP system.
- Plug the 6 volt transformer plug into the appliance junction cord to supply power to the unit OR install 4 AA cell batteries (not included) into the battery pack before use.

NOTICE: Batteries should only be used as a power source in the event of an emergency power outage. Batteries should not be used as a primary long-term power source. Battery polarity must be correct when installing batteries. When using batteries as a power source, the 6-volt transformer must be unplugged from the receptacle.

Do not store batteries in the battery pack when the appliance is powered by the 6 volt transformer connected to permanent electrical service.

Accessories Requirements

- This appliance ships standard with a remote control.

Wiring for optional Hearth & Home Technologies approved accessories should be done now to avoid reconstruction. Follow instructions that come with those accessories.

The junction cord, control module, LED power supply and wall switch receiver can be accessed by removing the vanity panel and component heat shield. The decorative front must be removed to access these components. See Figure 8.3.

CAUTION! Risk of Overheating! Component heat shield MUST be installed before operating appliance. Electrical components will be damaged.

CAUTION! Risk of Overheating! DO NOT remove component insulation from top of component heat shield. Electrical components will be damaged.

Note: When using PVLP-SLP-AU power vent, see PVLP-SLP-AU instructions for additional wiring requirements.

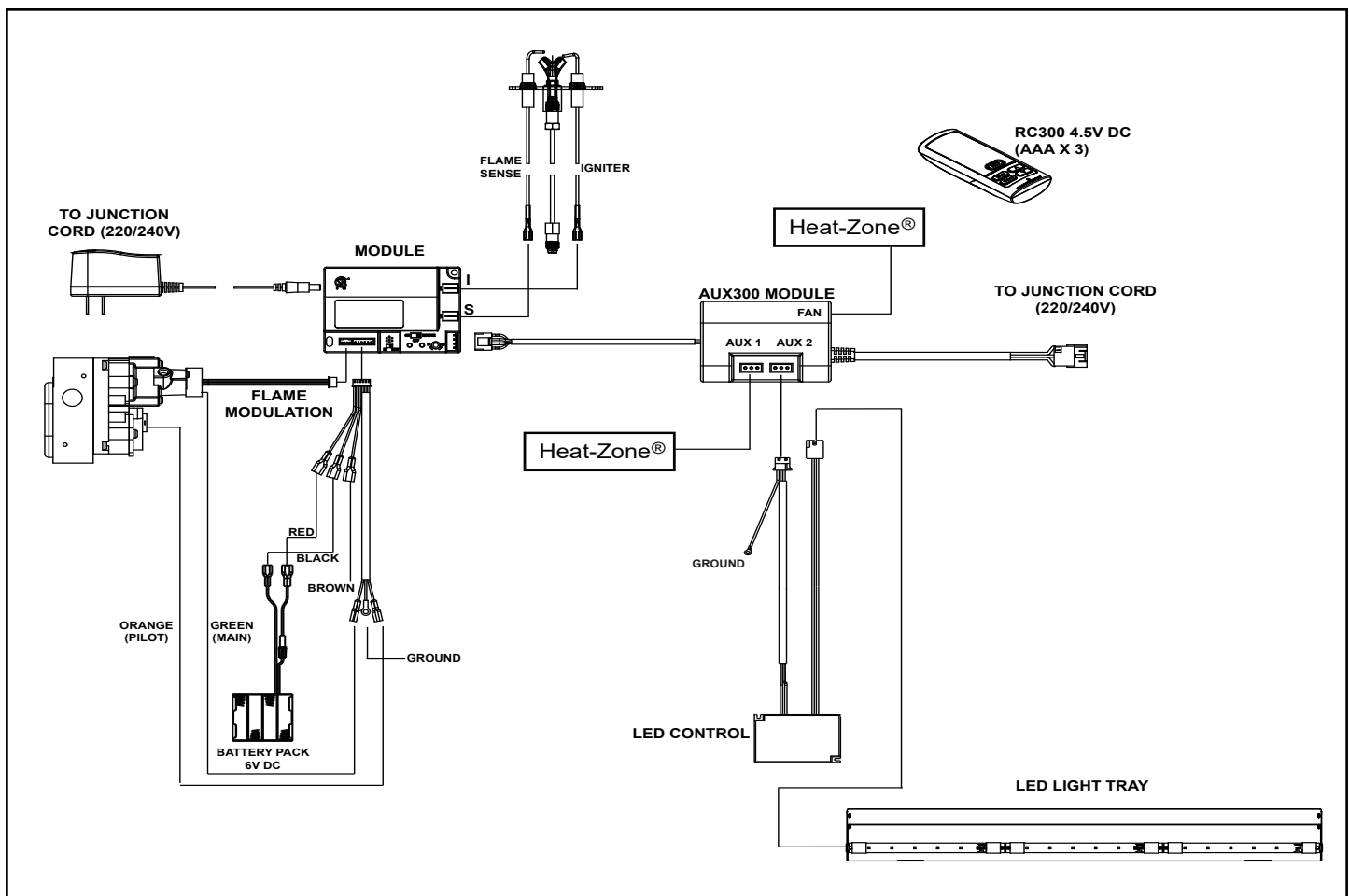


Figure 8.4 IntelliFire™ Plus Wiring Diagram with Remote

9 Gas Information

A. Fuel Conversion

- Make sure the appliance is compatible with available gas types.
- Conversions must be made by a qualified service technician using Hearth & Home Technologies specified and approved parts.

B. Gas Pressure

WARNING! Risk of Explosion! An in-line regulator **MUST** be installed if the gas pressure exceeds 3.4 kPa. Failure to install a regulator could damage valve.

Pressure requirements for MEZZO-AUB fireplaces are shown in the table below.

Two taps are provided on the right hand side of the gas control for a test gauge connection to measure the inlet and outlet pressures.

The fireplace and its individual shut-off valve must be disconnected from the gas supply piping system during any pressure testing of the system at test pressures in excess of 6 kPa.

If the fireplace must be isolated from the gas supply piping system by closing an individual shut-off valve, it must be of the handle-less type.

- Optimum appliance performance requires proper input pressures.
- Pressure requirements are:

| Gas Pressure | Natural Gas | ULPG |
|------------------------|-------------|----------|
| Minimum inlet pressure | 1.13 kPa | 2.75 kPa |
| Maximum inlet pressure | 3.40 kPa | 3.40 kPa |
| Manifold pressure | .87 kPa | 2.40 kPa |

WARNING! Risk of Fire or Explosion! High pressure will damage valve. Low pressure could cause explosion.

- Verify inlet pressures. Verify minimum pressures when other household gas appliances are operating.
- Install regulator upstream of valve if line pressure is greater than 3.4 kPa.
- Valve pressure taps are accessible by removing the decorative front and the vanity panel.

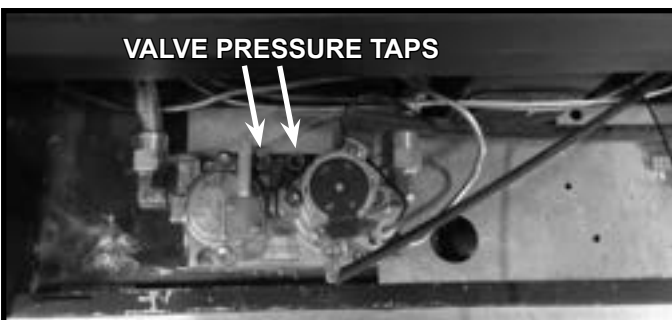



Figure 9.1. Valve Pressure Taps.

⚠ WARNING



Fire Risk.
Explosion Hazard.
High pressure will damage valve.

- Disconnect gas supply piping **BEFORE** pressure testing gas line at test pressures above 3.4 kPa.
- Close the manual shutoff valve **BEFORE** pressure testing gas line at test pressures equal to or less than 3.4 kPa.

C. Gas Service Access

Note: This appliance does include a manual gas shutoff valve that is located in the valve compartment. This manual gas shutoff valve is accessible for service by removing the decorative front and the vanity panel. The valve is most accessible if it is located forward in the control cavity of the appliance.

Depending upon local code, an additional manual gas shutoff, in a readily accessible area may be required and located upstream from the appliance.

The lower access cover panel is removable if finishing material is not installed. See Figure 9.2.

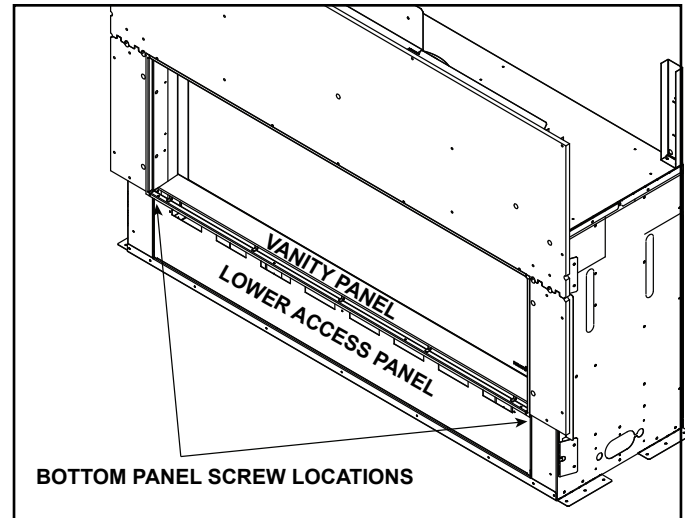


Figure 9.2. Vanity Panel and Lower Access Panel Location

If the finishing materials have been installed around the appliance opening, proceed as follows:

1. Remove vanity panel.
2. Remove screws on left and right sides of component heat shield and lift it out of the control cavity.

CAUTION! Risk of Overheating! Component heat shield **MUST** be installed before operating appliance. Electrical components will be damaged.

3. Unplug the 6V transformer from the junction cord. This will turn the power off to the appliance.

- Turn the gas shutoff handle to the “OFF” position to shut off the gas supply.

If additional access is needed, proceed as follows:

- Remove glass assembly from appliance by unlatching the top spring latches from the glass frame and lifting glass frame assembly out of the bottom bracket.
- Remove interior media and refractory from the unit if already installed.
- Remove the media tray. It is attached to the interior firebox bottom with ten screws. See Figure 9.3.
- Remove the two screws that attach the pilot to the burner.
- Remove the four screws securing the burner to the firebox sides and disengage burner from orifice. Remove burner. See Figure 9.3.
- Remove the eight screws that secure the glass window. Remove the glass window. Handle with care. See Figure 9.4.
- Remove light tray from appliance by lifting up and out through the bottom glass opening.



Figure 9.4. Gas and Electrical Access - Remove Glass Window

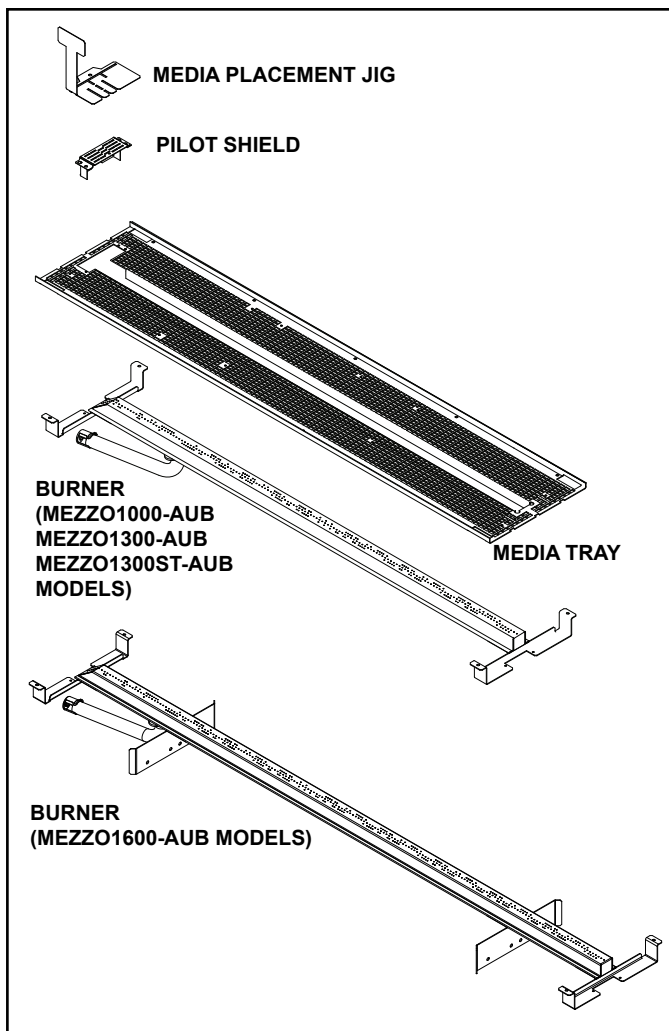


Figure 9.3. Media Tray with Burner and Pilot Shield

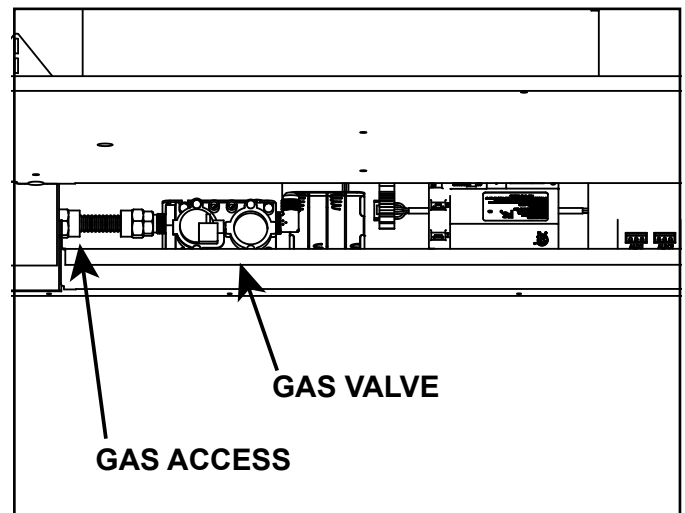


Figure 9.5. Gas Fitting Access with Vanity Panel Removed

D. Gas Connection

Note: Have the gas supply line installed in accordance with local building codes by a qualified installer approved and/or licensed as required by the locality.

Note: Before the first firing of the appliance, the gas supply line should be purged of any trapped air.

Note: Consult local building regulations to properly size the gas supply line leading to the (Rp 1/2 in.) hook-up at the unit.

Incoming gas line should be piped into the valve compartment and connected to the ISO 7-Rp 1/2 (BSP Rp 1/2) threaded gas inlet connection on the manual shutoff valve.

IMPORTANT NOTICE: (Items 1, 2 and 3 applies to ALL Heat & Glo gas appliances)

1. **1/2 in. GAS LINE:** Run through cavity 70 mm above finished hearth level, **NOT RIGID, NOT CLIPPED**, with minimum 500 mm into cavity and 120 mm back from plaster face.
2. **PVC (COMPOSITE) GASLINE** must terminate minimum 500 mm short of gas heater. Copper pipe **MUST** be the final connection to the gas heater.
3. **ISOLATING SWITCH:** Location within 1 metre of fireplace, subject to mantelpiece etc. Check to ensure it remains clear of any mantelpiece installation.

Leak test all gas line points and the gas control valve prior to and after starting the gas appliance.

E. High Altitude Installations

NOTICE: If the heating value of the gas has been reduced, these rules do not apply. Check with your local gas utility or authorities having jurisdiction.

When installing above 2000 ft. (610 m) elevation:

Reduce input rate 4% for each 1000 ft. (305 m) above 2000 ft. (610 m).

F. Air Shutter Setting

Air shutter settings may be adjusted by a qualified installer at the time of installation. The air shutter is set at the factory for minimum vertical vent run. Adjust air shutter for longer vertical runs. See Figure 9.6.

- Refer to Gas Service Access instructions in Section 9.C to access the air shutter.
- Loosen the 1/4 in. (6 mm) screw.

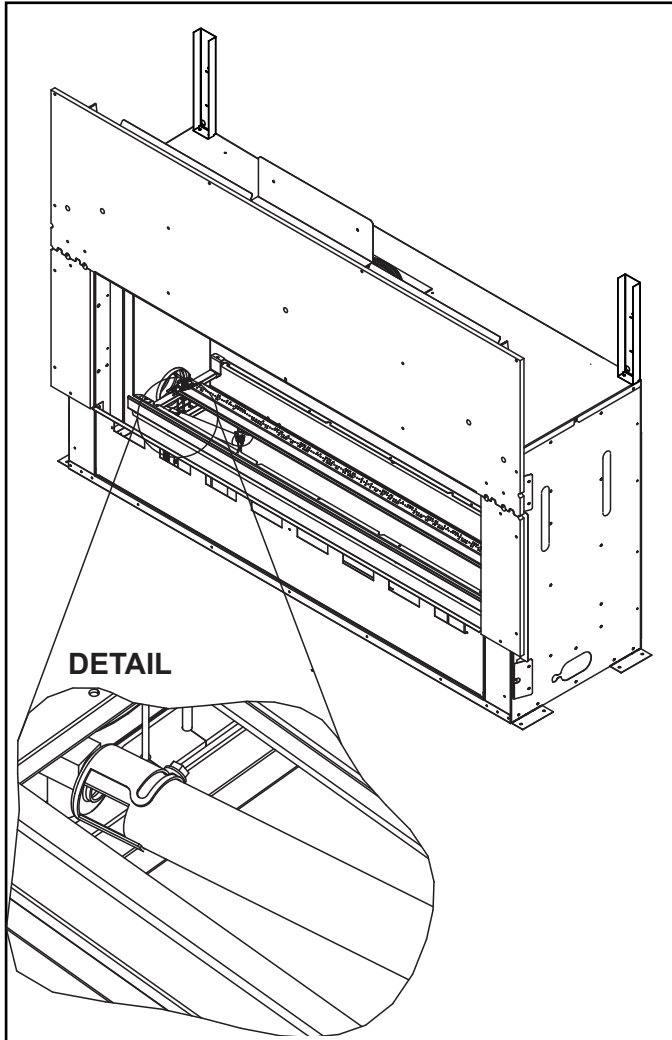


Figure 9.6 Air Shutter Location

- Twist shutter to adjust.
- Shutter may be open for longer horizontal vent runs.
- Do not close the air shutter more than 1/16 in. (2 mm) for NG or 1/4 in. (6 mm) for ULPG
- Tighten the screw.

NOTICE: If sooting occurs, provide more air by opening the air shutter.

Air Shutter Settings

| MEZZO1000-AUB MEZZO1300-AUB MEZZO1300ST-AUB | NG | ULPG |
|---|--------------------------------------|--------------------------------|
| GLASS REFRACTORY KIT | Standard Opening= 3/16 in. (5 mm) | Standard Opening= Full Open |
| LOG KIT | 1/4 in. (6 mm) | Full Open |

| MEZZO1600-AUB | NG | ULPG |
|----------------------|--------------------------------------|--------------------------------|
| GLASS REFRACTORY KIT | Standard Opening= 3/8 in. (10 mm) | Standard Opening= Full Open |
| LOG KIT | 3/8 in. (10 mm) | Full Open |

10 Finishing

A. Facing and Finishing Instructions

WARNING! Risk of Fire! Comply with all minimum clearances to combustibles as specified. Framing closer than the minimums listed must be constructed entirely of noncombustible materials (i.e., steel studs, concrete board, etc.).

Splatter Guard

The splatter guard is a piece of corrugated material used to protect the appliance during the installation process before finishing work on the whole hearth is complete. A splatter guard is factory-installed on MEZZO-AU models. Splatter guards must be removed before appliance is fired.

WARNING! Risk of Fire! Remove the splatter guard before lighting the appliance. Shut off gas to the appliance when the splatter guard is in place to prevent accidental operation.

Finishing Instructions

It is important to follow the framing and finishing instructions to ensure proper placement of fireplace into the surrounding framing / finishing materials.

Wall sheathing materials 10 mm thick are specified in this installation manual to properly align with the factory-installed non-combustible material.

WARNING! Risk of Fire! DO NOT remove the installed non-combustible board or cover it with combustible material, such as:

- Drywall (gypsum board)
- Plywood
- Materials that do not meet the ASTM E 136 Non-combustibility standard (below).

Removal of installed, non-combustible board and/or use of materials not meeting the ASTM E 136 standard could cause fire.

Non-Combustible Materials Specification

Material which will not ignite and burn. Such materials are those consisting entirely of steel, iron, brick, tile, concrete, slate, glass or plasters, or any combination thereof.

Materials that are reported as passing **ASTM E 136, Standard Test Method for Behavior of Materials in a Vertical Tube Furnace at 750 °C.**

WARNING! Risk of Fire! Maintain specified air space clearances to combustibles. Inadequate air space could cause overheating and fire.

Finishing Materials

NOTICE: The maximum finishing material not only includes the decorative finish materials (marble, tile, slate, etc) but also the thin set, lath and adhesive used to attach the decorative finish material.

WARNING! Risk of Fire! DO NOT use screws longer than two inches when attaching finishing materials to installed non-combustible material. Screws longer than two inches will compromise clearance and could cause overheating and fire.

WARNING! Risk of Fire, Explosion or Asphyxiation! DO NOT use screws more than one inch long on lower cover panel. Longer screws may penetrate gas line or damage valve or electrical components.

This section discusses installation details associated with the Inside and Overlap Fit methods and specifies additional non-combustible materials required.

When finishing the wall around the fireplace, it is critical that wall sheathing be fastened properly. Wall sheathing fasteners, such as screws or nails, are not permitted in some locations. See Figure 10.1.

It is acceptable to pre-drill holes and use self-tapped screws in the installed non-combustible board which may be used to lathe (a backer for tile, marble, etc.). Screws being installed through the installed non-combustible board should be self-tapping type with a maximum length of 2 in. (51 mm) See Figure 10.1.

When installing finish material on the lower cover panel, DO NOT drill or install screws longer than one inch. Screws longer than one inch could penetrate the lower cover panel causing damage to components or penetrate the gas line. One inch screws are included in the manual bag assembly that are intended for use when attaching finishing material to lower cover panel. See Figure 10.1.

| To Reduce the Risk of Sheetrock Cracking: DO |
|---|
| Use all purpose joint compound. |
| Use eggshell paint (gloss or semi-gloss). |
| Tape over trim strips. |

| To Avoid Sheetrock Cracking: DO NOT |
|---|
| Use a quick set or light weight joint compound. |
| Use flat paint. |

WARNING! Risk of Fire, Explosion or Asphyxiation!
DO NOT use screws more than one inch long on lower cover panel. Longer screws may penetrate gas line or damage valve or electrical components.

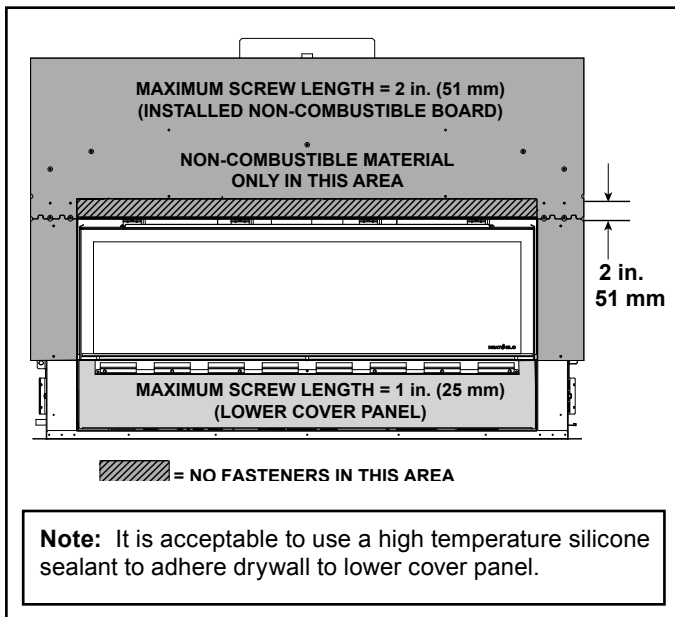


Figure 10.1 Screw Length Requirements

The appliance is designed to mate with 10 mm wall sheathing materials such as drywall, plywood, wood composites, or non-combustible materials.

Finish and Sealing Joints

All joints between the finished wall sheathing and the appliance must be sealed with non-combustible materials. Sealants, such as caulk or mastic used to seal the gap between the wall and the fireplace, should be rated at a minimum continuous exposure to 300 °F (149 °C).

Finishing Around Opening with Gypsum Wallboard

Gypsum wallboard (drywall) joints adjacent to the fireplace opening, including the non-combustible board on the appliance, require special attention to minimize cracking. When installing gypsum wallboard around the fireplace, install the hole for the fireplace opening in a single wallboard sheet, if possible. This will minimize the joints adjacent to the fireplace opening.

Tape wall board joints around the fireplace opening with fiberglass-mesh tape. It will provide a more crack-resistant joint than paper tape. Fill, smooth and finish wall joints with chemically setting-type joint compound. It will provide a more crack-resistant joint than air-drying light-weight compound.

Painting

If desired finishing includes a painted wall, 100% acrylic latex with compatible primer is recommended around this appliance. Oil-based or standard acrylic paints may discolor due to heat exposure.

Painting

If desired finishing includes a painted wall, 100% acrylic latex with compatible primer is recommended around this appliance. Oil-based or standard acrylic paints may discolor due to heat exposure.

In extreme cases, lab tests have shown yellow pigments fading out of paints over time due to heat. Vent run and installation location will have an effect on wall temperature and fading. If fading occurs, consider avoid paint that contains yellow pigment.

If a crack does emerge adjacent the fireplace, it can be permanently repaired by filling it with paintable latex caulk, followed by repainting.

WARNING! Risk of Fire! DO NOT apply combustible materials beyond the minimum clearances. Comply with all minimum clearances to combustibles as specified in this manual. Overlapping materials could ignite and will interfere with proper operation of doors and louvers.

WARNING! Risk of Fire! DO NOT install drywall or other combustible materials directly onto the installed non-combustible board. Overlapping materials could ignite.

Facing Material

- Facing and/or finishing materials must not interfere with air flow through louvers or decorative fronts.
- Facing and/or finishing materials must never overhang into the glass opening.
- Observe all clearances when applying combustible materials.

Finishing - Hearth

See Inside Fit or Overlap Method sections to determine the necessary requirements for installation of a non-combustible hearth for this model. Only hearths made of non-combustible materials are allowed.

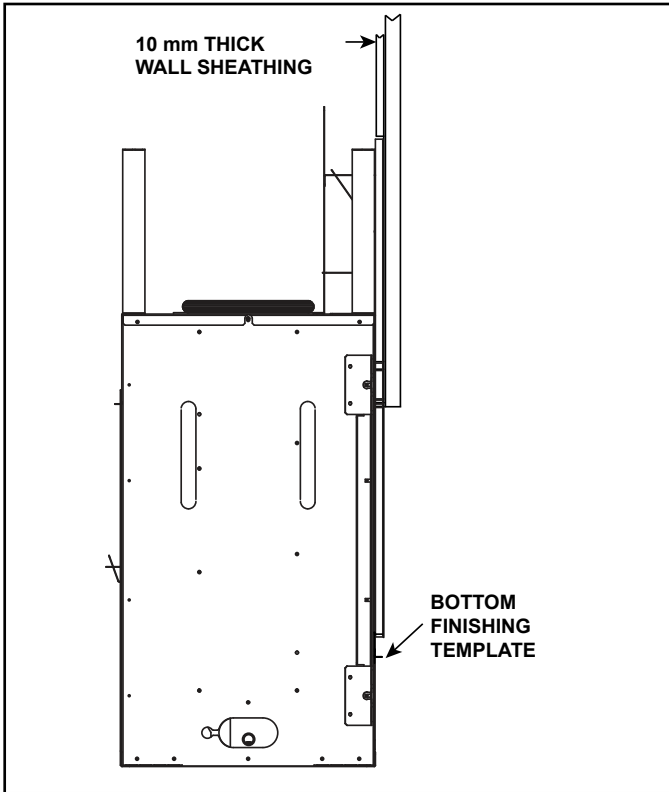


Figure 10.2 Finishing and Facing Materials - Single-sided Models

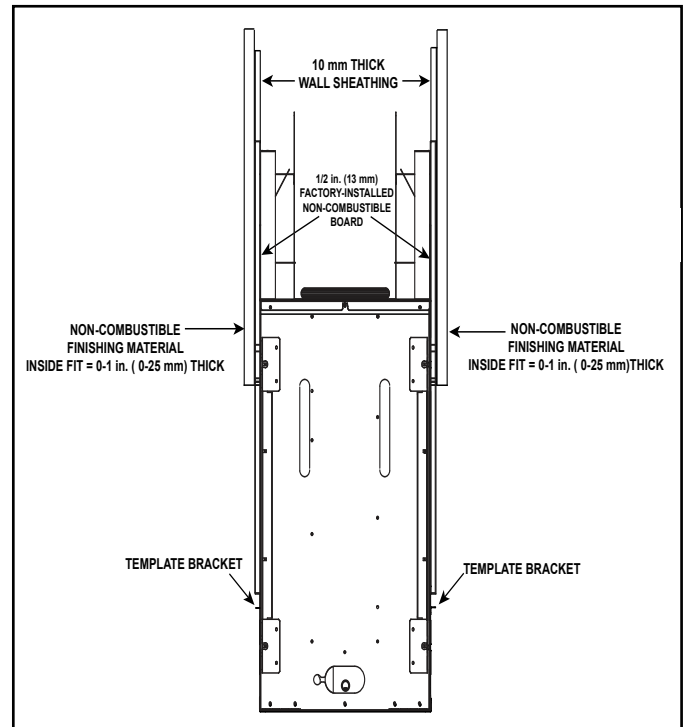


Figure 10.3 Finishing Materials - See-Through Models

Decorative facing material thickness is measured from the face of the factory-installed non-combustible board. See Figure 10.2 and Figure 10.3.

The front for this appliance are compatible with non-combustible materials. See Figure 10.2 and Figure 10.3.

Refer to Section 1.E and 1.F of this manual for definitions and qualifications of non-combustible and combustible materials.

Inside Fit Finishing

Non-Combustible Finish Materials

Clean Face Trim (CFT) Front Only

0 in. (0 mm) to 1 in. (25 mm) Thick Inside Fit Method

Note: When a Clean Face Trim (CFT) decorative front is installed, the rectangular holes in bottom access panel will be covered.

NOTICE: This 1 in. (25 mm) maximum not only includes the decorative finish materials (marble, tile, slate, etc) but also the thin set, lath and adhesive used to attach the decorative finish material.

The Clean Face Trim decorative front is approved for inside fit applications. When using non-combustible finishing materials 0 - 1 in. (0 - 25 mm) thick, follow the instructions below. Refer to Section 1.E and 1.F of this manual for definition and qualifications and definition of non-combustible and combustible materials.

1. Remove finishing template from bottom access panel.
2. Install finishing material to the top ledge of the bottom access panel, covering the eight rectangle holes in the access panel. See Figure 10.1 for screw length requirements.
3. Install trim ring onto the wall. The trim ring acts as a finishing template in this application. Finishing materials may not extend past the outside edge of the trim ring.
4. Follow instructions provided with decorative front for installation.

WARNING! Risk of Fire!

- If a Clean Face Trim (CFT) front has been installed and is to be replaced by a front with an overlap fit, the finishing material must be removed to reveal the eight rectangular holes on the bottom access panel.
- Over heating and fire could occur.

Non-Combustible Finish Materials

Clean Face Trim (CFT) Front Only

0 in. (0 mm) to 1 in. (25 mm) Thick Inside Fit Method

Finishing material greater than 1 in. (25 mm) thick is only approved for non-combustible materials with a Clean Face Trim (CFT) front only. Refer to Section 1.E and 1.F of this manual for definition and qualifications and definition of non-combustible and combustible materials.

WARNING! Risk of Fire! DO NOT apply combustible materials beyond the minimum clearances. Comply with all minimum clearances to combustibles as specified in this manual. Overlapping materials could ignite.

1. Remove finishing template from bottom access panel.
2. Install trim ring onto the wall. The trim ring acts as a finishing template in this application. Finishing materials may not extend past the outside edge of the trim ring.

NOTICE: If finishing extends past the inside opening of the outer trim ring, the decorative front will not fit.

3. Install non-combustible finishing material up to the outer edges of the trim ring. See Figure 10.1 for screw length requirements.
4. Follow instructions provided with decorative front for installation.

WARNING! Risk of Fire!

- If a Clean Face Trim (CFT) front has been installed and is to be replaced by a front with an overlap fit, the finishing material must be removed to reveal the eight rectangular holes on the bottom access panel.
- Over heating and fire could occur.

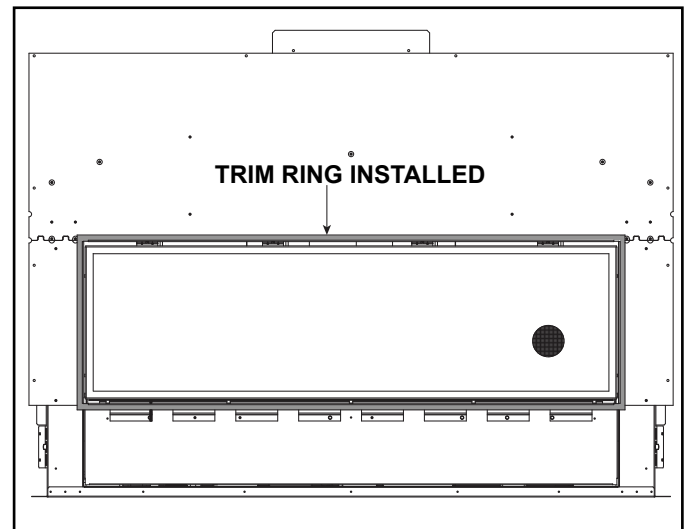


Figure 10.4 Non-Combustible Finish Material Diagram for 1 - 4 in. (25 - 102 mm) Thick Inside Fit Method

Finishing - Non-Combustible Hearth CFT Fronts-In-side Fit

A non-combustible hearth may be installed in front of the appliance only if the inside fit finishing method with CFT doors is used.

1. Install trim ring.
2. Non-combustible hearth material may be placed up to the bottom edge of the trim ring. The hearth may be a maximum of 12 in. (305 mm) in depth.

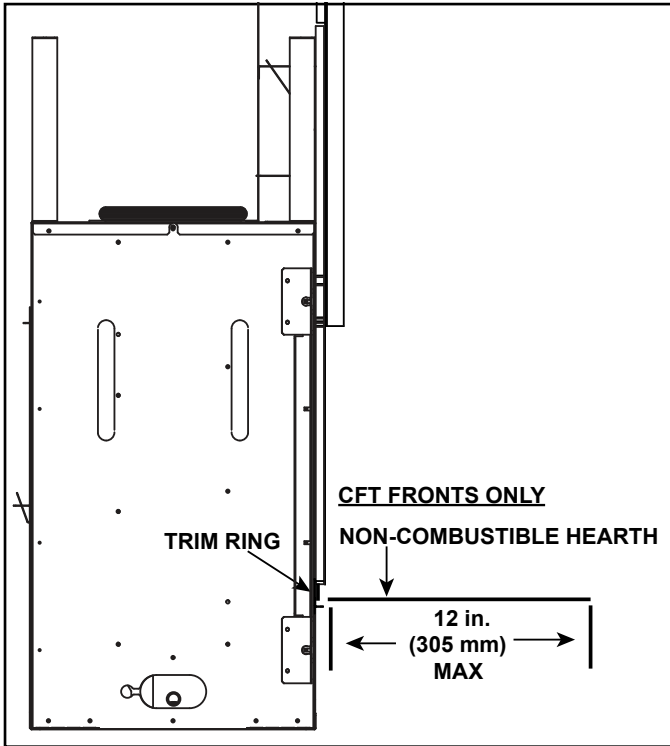


Figure 10.5 Finishing and Facing Materials - Inside Fit

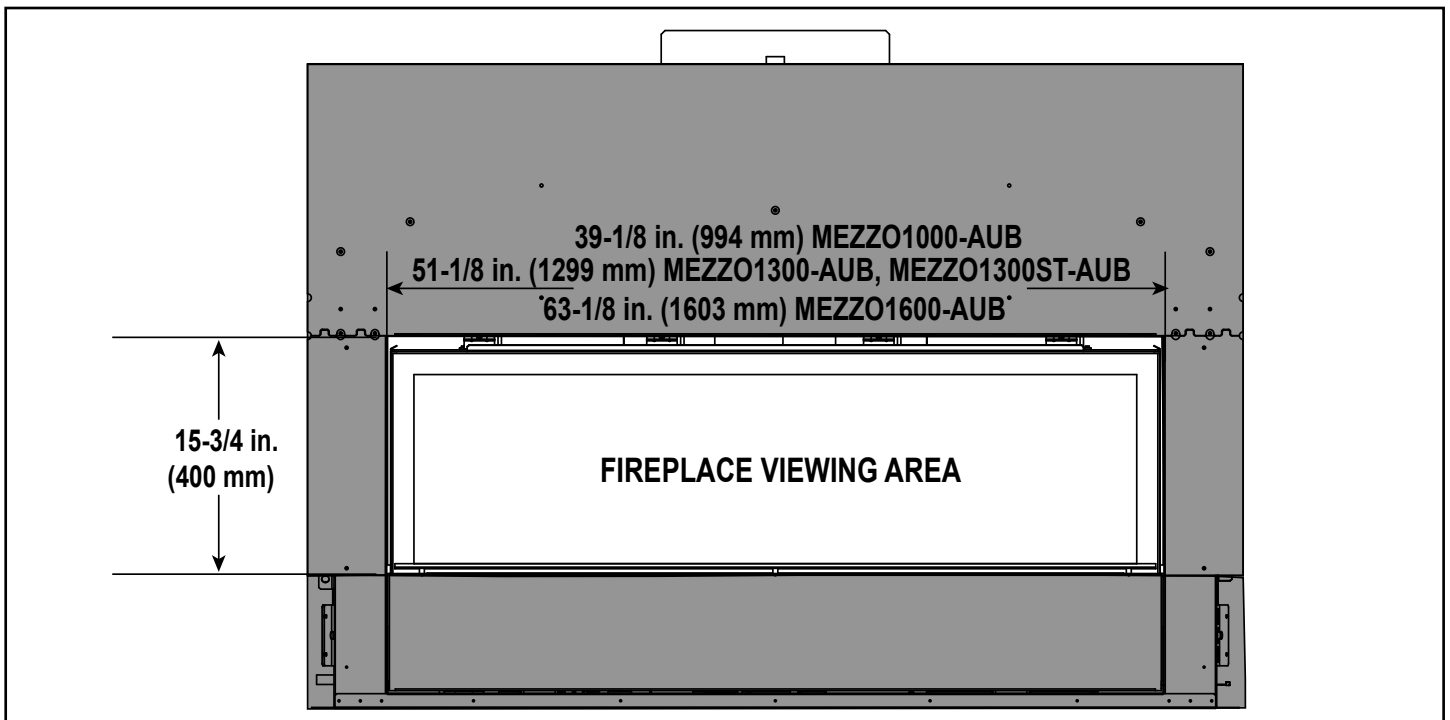


Figure 10.6 Finished Opening Dimensions - Inside Fit Method

B. Mantel and Wall Projections

WARNING! Risk of Fire! Comply with all minimum clearances to combustibles as specified. Framing closer than the minimums listed must be constructed entirely of noncombustible materials (i.e., steel studs, concrete board, etc.)

Note: For non-combustible fireplace finish material (marble, stone, etc) specifications refer to Section 10.A.

Combustible Mantels

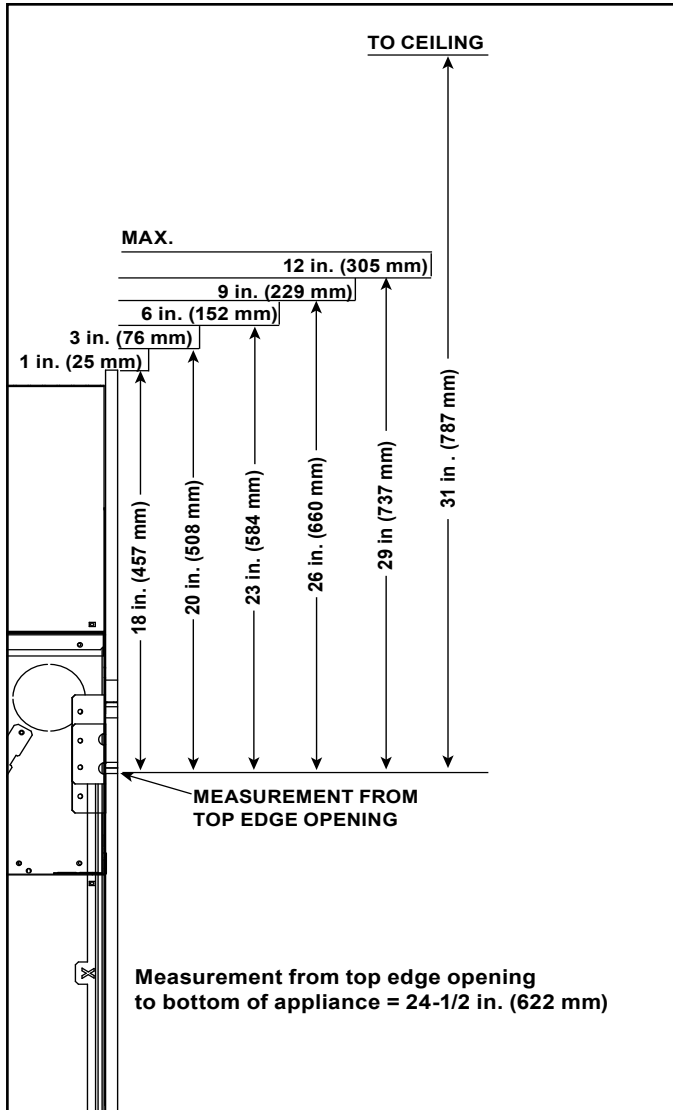


Figure 10.7 Minimum Vertical and Maximum Horizontal Dimensions of Combustibles - MEZZO1000-AUB, MEZZO1300-AUB, MEZZO1300ST-AUB

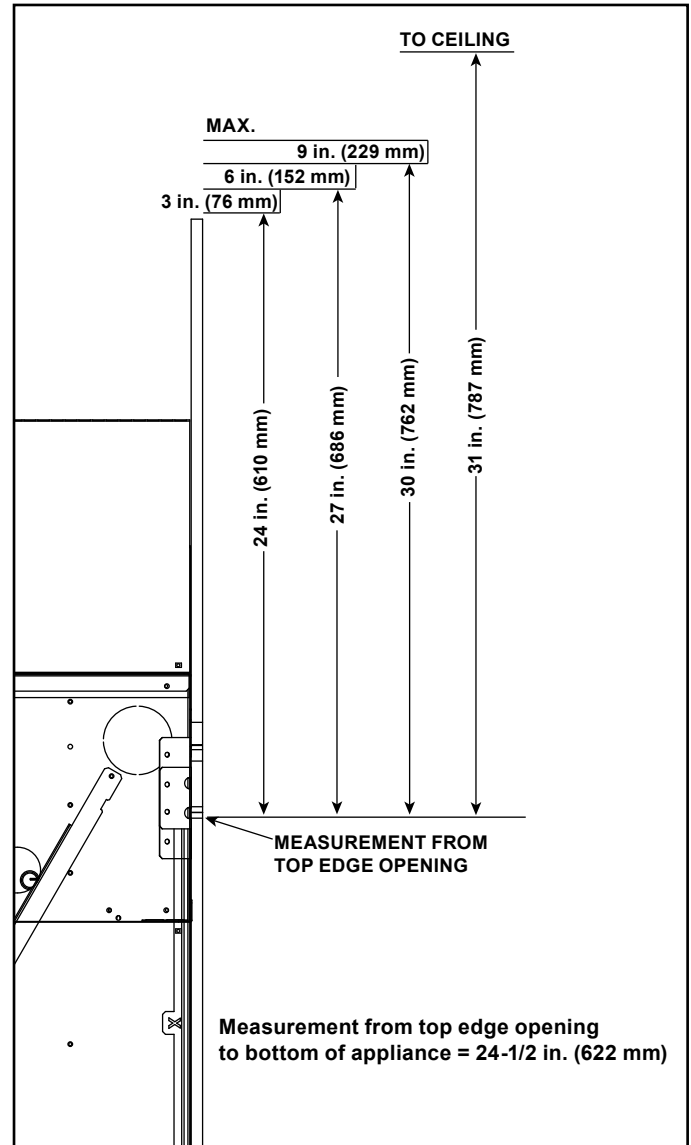


Figure 10.8 Minimum Vertical and Maximum Horizontal Dimensions of Combustibles - MEZZO1600-AUB

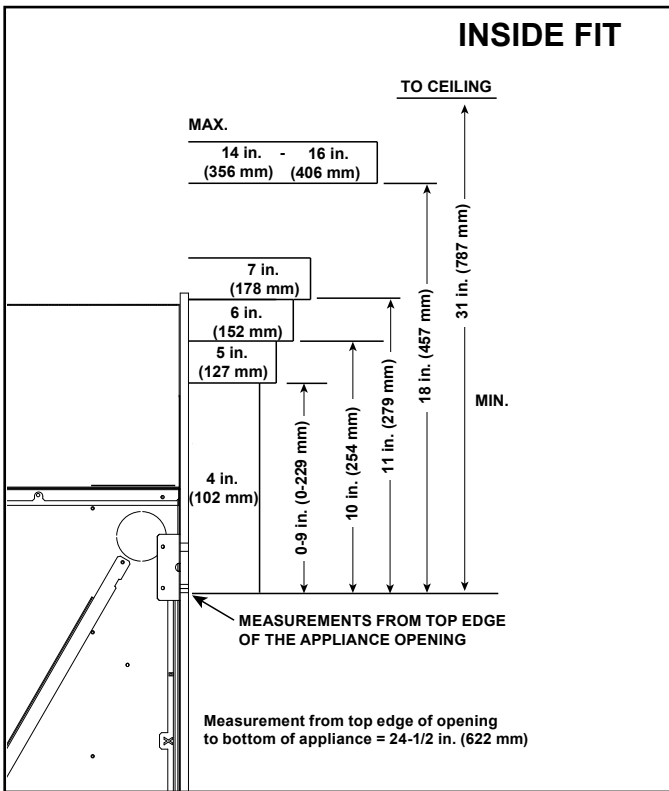


Figure 10.9 Minimum Vertical and Maximum Horizontal Dimensions of Non-Combustibles - Inside Fit Finishing

Mantel Legs Or Wall Projections Extending Past The Face Of The Fireplace (Combustible or Non-Combustible)

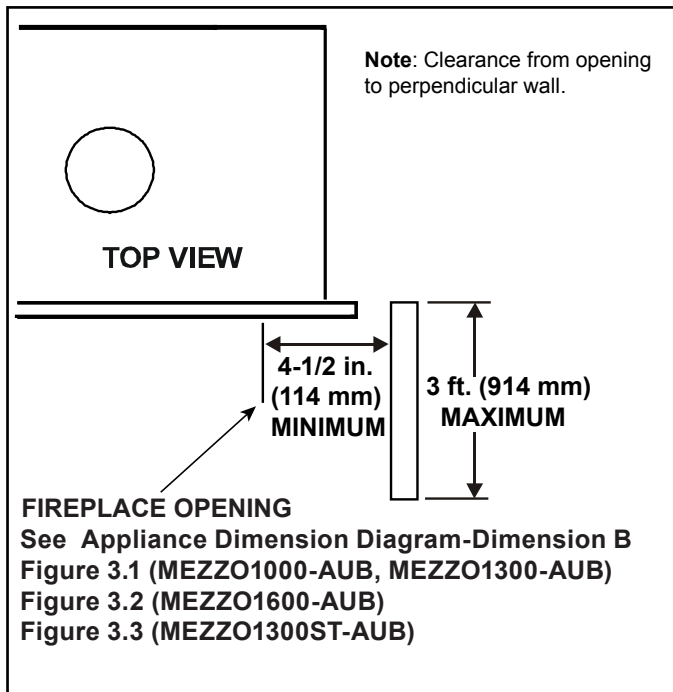


Figure 10.10 Mantel Leg or Wall Projections (Acceptable on both sides of opening)

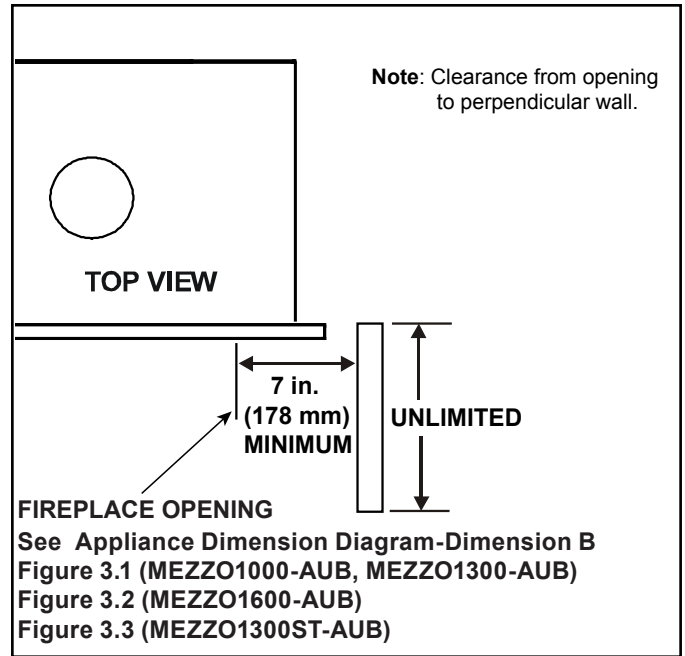


Figure 10.11 Mantel Leg or Wall Projections (Acceptable on both sides of opening)

C. Decorative Front Dimensions for Finishing

WARNING! Risk of Burns! A decorative front is required for this model. **DO NOT** operate this appliance without a decorative front in place.

Only the decorative front certified for use with this appliance model may be used. Contact your dealer for a list of decorative fronts that may be used.

Inside Fit Doors (Clean Face Trim front): These doors are installed flush with the non-combustible finishing material up to four inches thick. Finishing materials may be a maximum of 1 in. (25 mm) thick. Stop finishing material flush with opening.

Note: See appliance Owner's Manual for TV mounting guidelines.

11 Appliance Setup

A. Fixed Glass Assembly

WARNING! Risk of Asphyxiation! Handle fixed glass assembly with care. Inspect the gasket to ensure it is undamaged and inspect the glass for cracks, chips or scratches.

- **DO NOT** strike, slam or scratch glass.
- **DO NOT** operate fireplace with glass removed, cracked, broken or scratched.
- Replace as a complete assembly.

Removing Fixed Glass Assembly

1. Remove the decorative front from fireplace and set aside on work surface.
2. Locate the glass latches that are on the upper edge of the glass frame of the appliance. See Figure 11.1.
3. Use both index fingers to release the glass clips.
4. Allow glass to tilt forward. Grasp glass on the upper return lip of glass frame and lift up and out. The glass should lift easily out of the bottom retaining lip.

Replacing Fixed Glass Assembly

1. Locate retaining lip on lower front face of firebox.
2. Place glass assembly into retaining lip end. Tilt top of glass assembly toward fireplace.
3. Assure proper left to right placement of glass and engage all four spring latches.

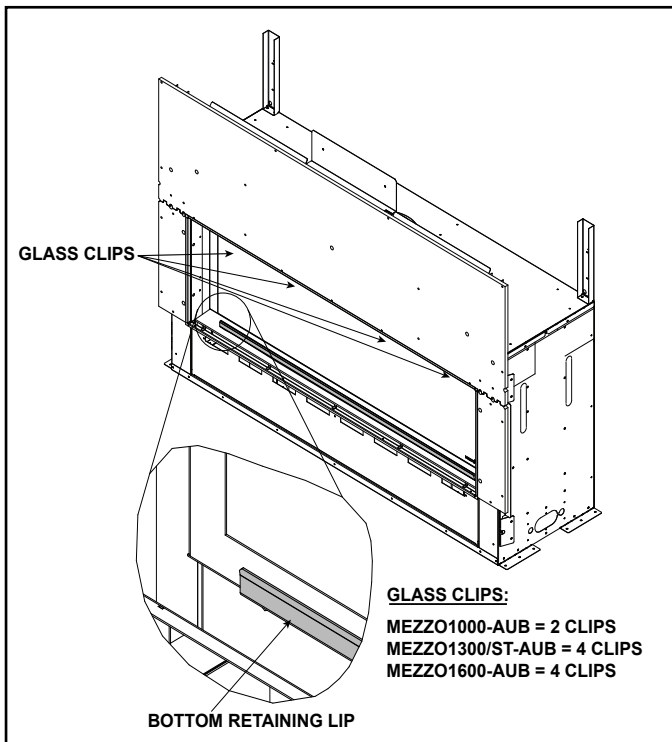


Figure 11.1 Fixed Glass Assembly

B. Remove the Shipping Materials/Install Vanity Panel

Remove shipping materials from inside or underneath the firebox. Verify all components are with the fireplace. Unwrap the vanity panel and replace in the same location as shown in Figure 11.2.

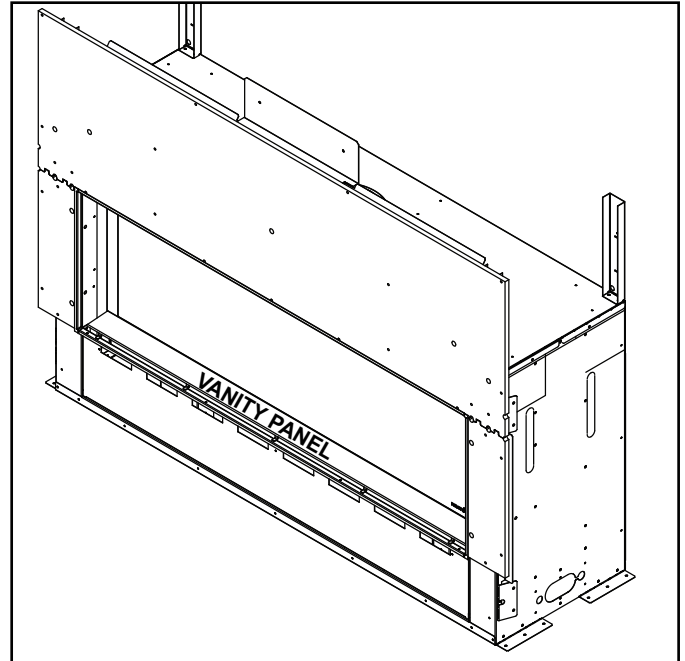


Figure 11.2 Vanity Panel Location

CAUTION! Risk of Overheating! DO NOT remove component insulation from top of component heat shield. Electrical components will be damaged.

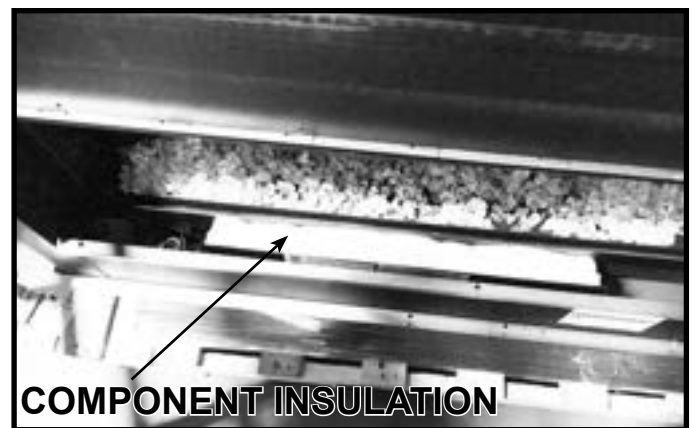


Figure 11.3 Component Insulation Location

C. Clean the Appliance

Clean/vacuum any sawdust that may have accumulated inside the firebox or underneath in the control cavity.

D. Install Glass Refractory Panels

CAUTION! Risk of Cuts or Abrasions. Wear protective gloves and safety glasses during installation.

NOTICE: Handle refractory panels with care. Refractory may chip or crack if dropped or impacted.

Glass Panel Instructions

See-Through Models: See Section B

A. Single-Sided Models

1. Set back glass panel, labeled A in Figure 11.4, into firebox on top of the two (2) blocks with the smooth side of the glass facing outward. . Position retaining bracket inside appliance as shown in Figure 11.6. Line up the hole in the heat shield with the hole closest to the bend in the bracket and secure in place with a screw. See Figure 11.5 and Figure 11.6.
2. Bend the hand bend on the bracket down 90 degrees. See Figure 11.7.
3. Install side glass brackets by pushing up on the corner of the top heat shield and use two self-tapping screws to secure the bracket to the firebox. See Figure 11.8.
4. Install the left side panel, labeled “B” in Figure 1, by sliding it into place from the front. While installing, press the panel firmly against the firebox side.
5. Bend the tab on the glass bracket toward the side glass panel until a 1/16 inch - 1/8 inch gap is created between the tab and the side glass panel. See Figure 11.9.
6. Repeat for other side.

B. See-Through Models:

1. Set left side glass panel, labeled B in Figure 11.4, into firebox with the smooth side facing outward.
2. Bend the hand bend on the bracket down 90 degrees. See Figure 11.7.
3. Install side glass brackets using one self-tapping screw to secure the bracket to the firebox. See Figure 11.10.
4. Bend the tab on the glass bracket toward the side glass panel until a 1/16 inch - 1/8 inch gap is created between the tab and the side glass panel. See Figure 11.9.
5. Figure 11.10 shows retaining bracket installed. Repeat for other side.

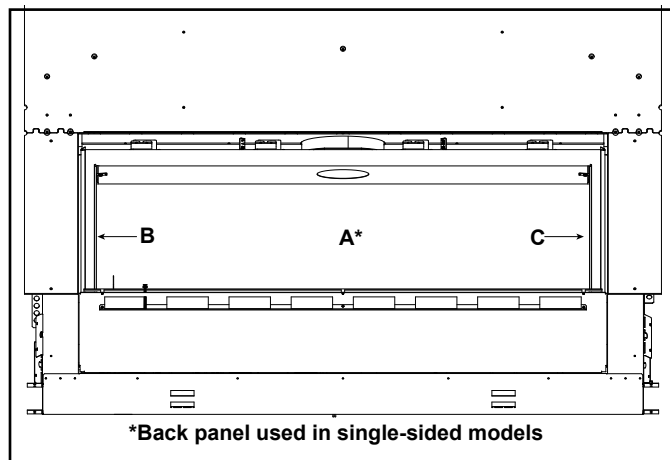


Figure 11.4 Placement of Glass Panels

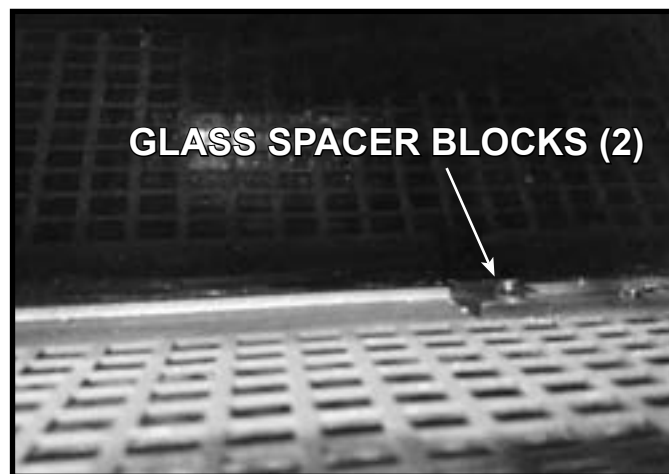


Figure 11.5 Glass Spacer Block Location - Back



Figure 11.6 Retaining Bracket Installation - Back

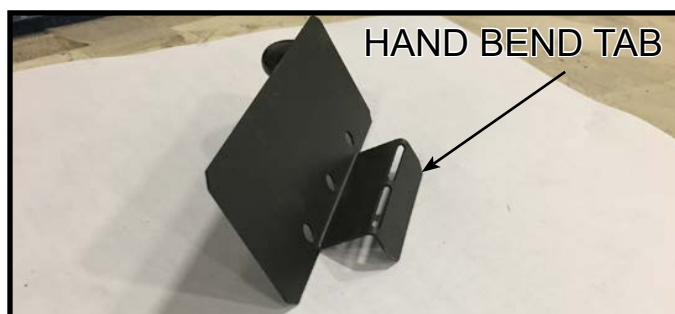


Figure 11.7 Retaining Bracket - Side Panel



Figure 11.8 Retaining Bracket Installation - Side Panel



Figure 11.9 Gap Between Tab and Side Glass Panel: 1/16 IN. - 1/8 in.



Figure 11.10 Retaining Bracket Installation - See-Through Models

E. Install Media

A media kit is included with the MEZZO-AU models. Install rock media according to these instructions.

WARNING! Choking Hazard! Keep media out of reach of children.

CAUTION! Risk of Burns! The fireplace should be turned off and cooled before media is installed.

CAUTION! Risk of Cuts, Abrasions or Flying Debris. Wear protective gloves and safety glasses during installation. Sheet metal edges are sharp.

Cleaning the Media

During shipment of the media, dust and debris can accumulate. It is recommended that the media be rinsed thoroughly with water to remove dust and small particles. An easy method to clean the media is to place the media into a pail and rinse thoroughly. Spread the media out over paper towels and allow the media to dry before installing them into the fireplace.

INSTALLATION

1. Choose 7 - 10 round pieces of media approximately 1/2 in. (13 mm) in size and set them aside. These will be used later to conceal the pilot end of the burner. Reference Figure 11.11 for choosing round pieces of glass.

WARNING! Risk of Explosion! DO NOT put any flat media pieces larger than 1/2 in. (13 mm) in diameter near pilot. Delayed ignition could occur. Use only round 1/2 in. (13 mm) pieces near pilot.



Figure 11.11 Selecting Flat Media for Pilot Cover.

2. The included media placement jig, shown in Figure 11.12, MUST be used any time media are placed on the burner to ensure that none end up in the burner lighting area. Verify that the media placement jig is correctly installed in place in the appliance. See Figure 11.13.

⚠ WARNING

Delayed Ignition Risk

- Place media according to instructions.
- Do NOT place media in area in front of pilot
- Do NOT place media in a position that they may fall into area in front of pilot.
- Do NOT use any media other than the media supplied with this fireplace.
- Do NOT exceed one layer of media on base pan.

Fireplace will not function properly.
Delayed ignition may occur.

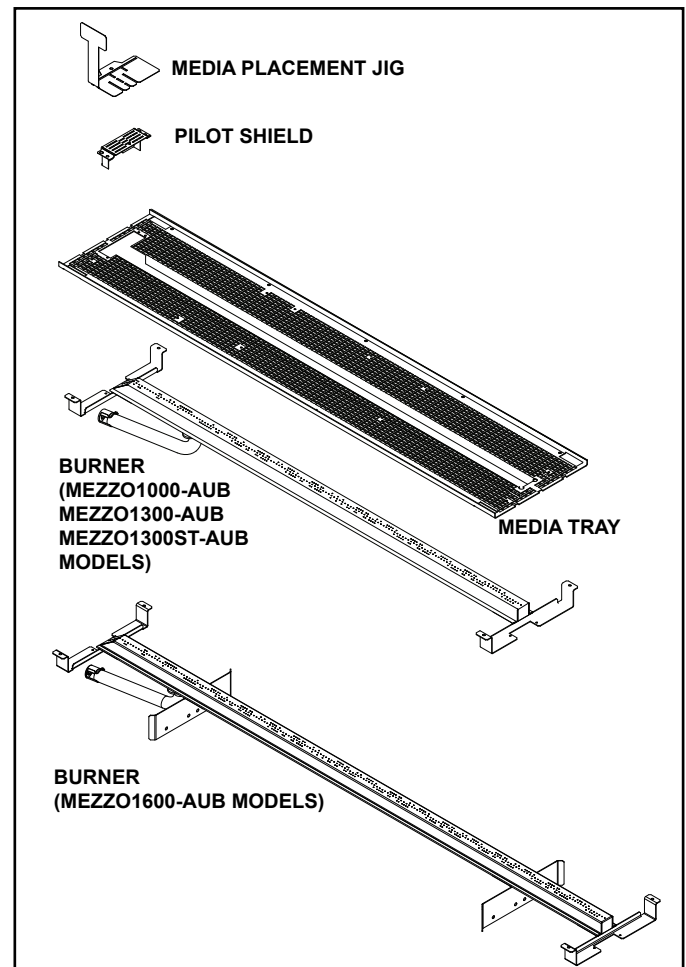


Figure 11.12 Media Tray Components

3. The media placement jig must remain in place while media is placed on the media tray and around the pilot shield.

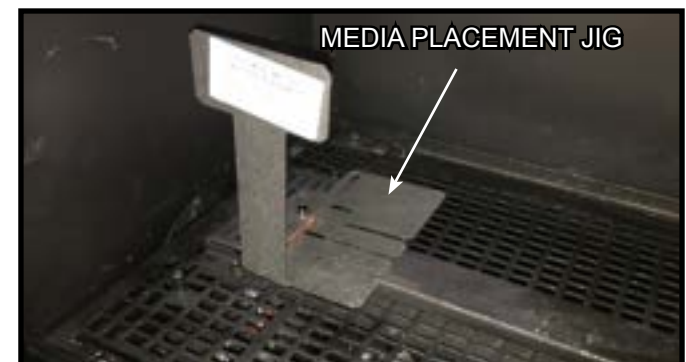


Figure 11.13 Media Placement Jig in Place

- Place an even layer of media around the media tray as shown in Figure 11.14. Figure 11.14 shows an outline of the burner rails and the area in front of the pilot assembly. **Do not place media on media placement jig.**


| | |
|---|--|
| ⚠ WARNING | |
|  | Risk of Asphyxiation or Fumes. |
| | • Place media according to instructions. |
| | • Do NOT place media in area between glass and firebox. |
| | • Do NOT place media in a position that they may fall into area between glass and firebox. |
| | • Do NOT use any media other than the media supplied with this fireplace. |
| Fireplace will not function properly. Gas leak may occur. | |



Figure 11.14 Media Placement Jig in Place

- Remove the screw, (shown in Figure 11.15) from the media placement jig and carefully lift it out of the appliance. **Do not allow any pieces of media to fall into the area in front of the pilot.**
- Place the round media set aside in Step 1 over the pilot shield. See Figure 11.16 and 11.17. **Do not allow any media in the 1 inch area shown in Figure 11.17.**

WARNING! Risk of Fire. DO NOT place media directly in front of the pilot assembly.



Figure 11.15 Remove Media Placement Jig



Figure 11.16 Media Installed.

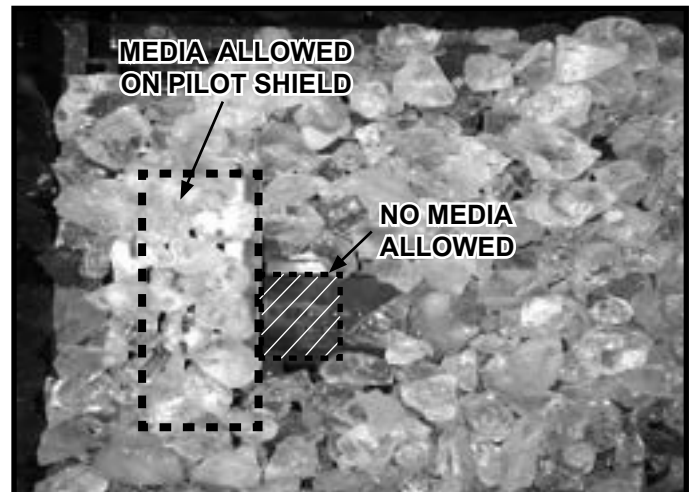


Figure 11.17 Pilot Shield Media installation.

Fogging Option

- If desired, the media can be fogged using a high temperature black paint. See below for fogging tips. Prior to painting, take precautions to prevent any overspray from reaching the pilot assembly.
 - Apply paint with the LED lights turned on. This will help you avoid over fogging or under fogging.
 - Reduce the lighting in the room while applying the paint.
 - Fog the media to the desired look.



Figure 11.18 Fogging the Media

9. Place the glass frame assembly back on the appliance according to the instructions provided in the appliance installation manual. Assure that there is no media between the glass and the firebox. Media in this area will prevent the glass gasket from sealing.
10. Install bottom vanity panel between glass and glass frame. See Figure 11.19.

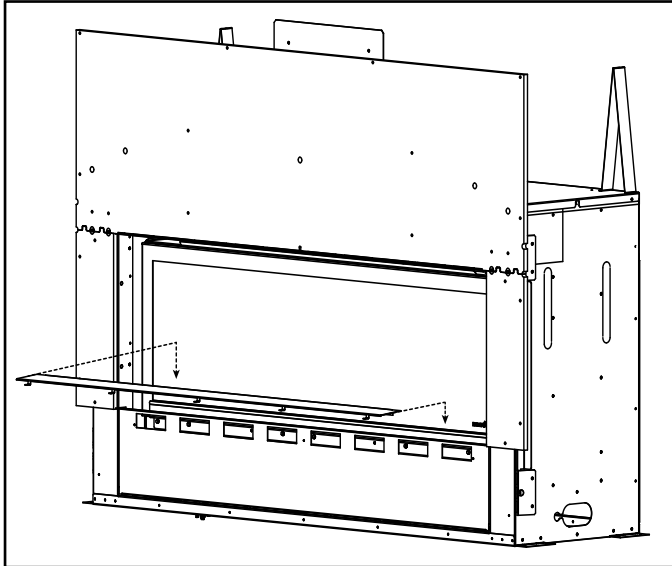


Figure 11.19 Install Bottom Vanity Panel

TROUBLESHOOTING

After the initial start up burn, it may be necessary to adjust the media placement to achieve the best flame appearance. While flame height variation is normal, there may appear to be higher peaks in some areas and low flame peaks in other areas.

If the flame height appears to be excessively high in some spots, applying more media to these areas on top of the burner will help even out the flames. Spreading the media as evenly as possible is the most effective way to achieve optimal flame appearance and the most even flame heights. One or more test burns may be required to watch the flames mature and see how even they look before making adjustments.

Avoid using media pieces larger than two inches in diameter, these can be disruptive to the flame patterns. If you find extra large media pieces, discard.

F. Install Log Set

An optional log set is available for use with the MEZZO-AUB models. Install the log set per instructions included with kit.

G. Appliance Operation

Start the appliance to verify proper function and installation. See the appliance Owner's Manual for IPI lighting instructions.

Appliance ON/OFF

Use the IntelliFire™ Plus Remote Control to control the ON/OFF function of the appliance. Follow instructions included with the installed control. If a wall switch is installed, refer to the instructions included with the control.

LED Lighting

The ON/OFF function for the LED lighting option is controlled by the IntelliFire™ Plus remote control. Follow instructions included with the installed control to test the LED lighting.

12 Reference Materials

A. Vent Components Diagrams

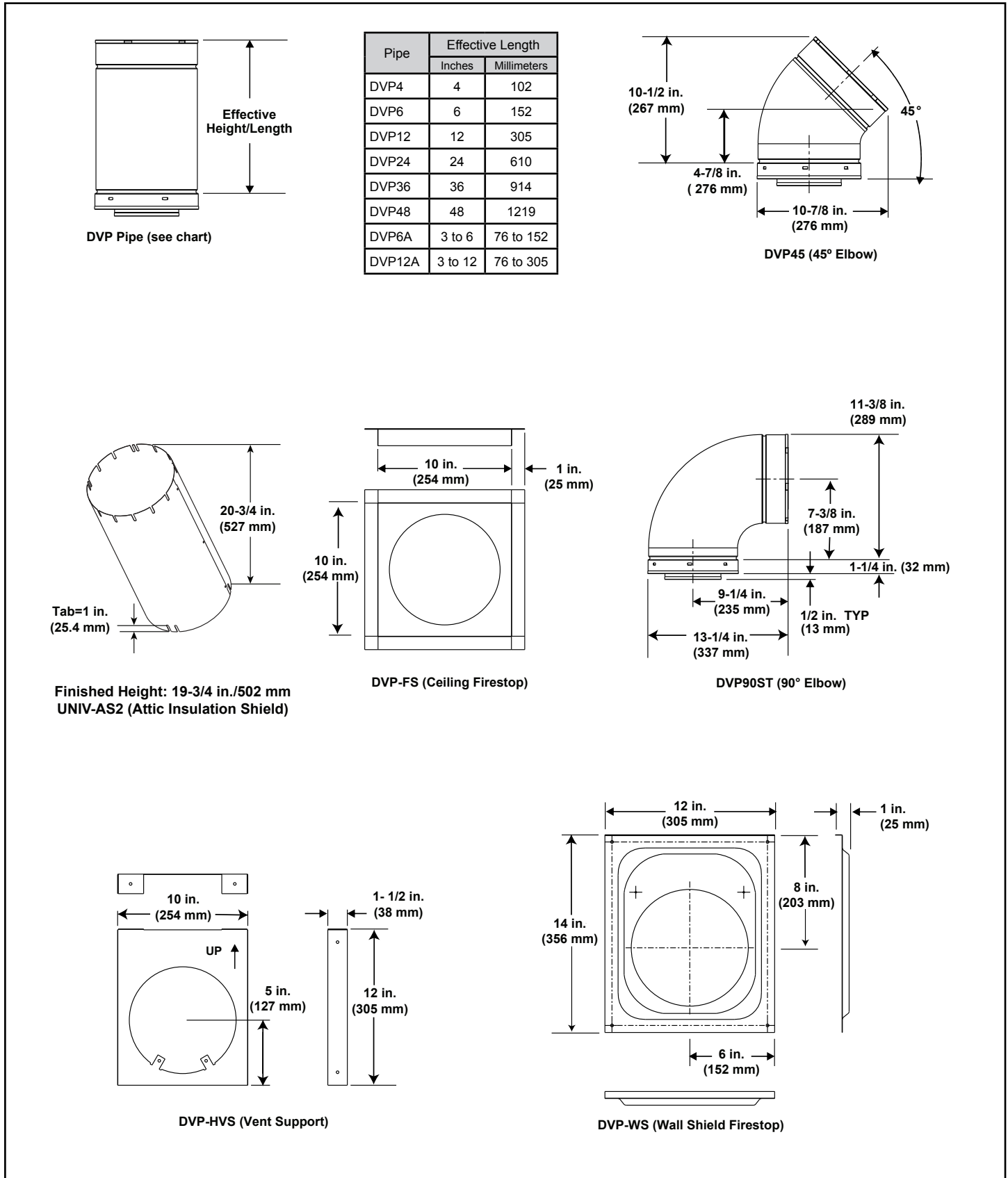
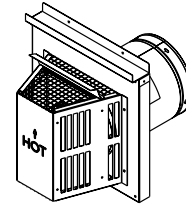
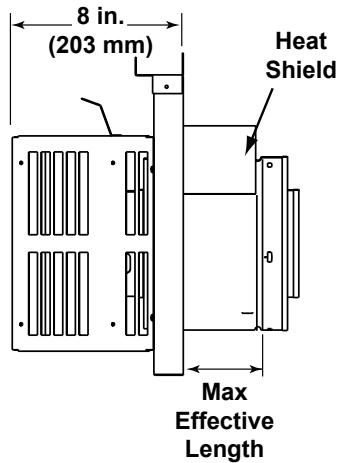
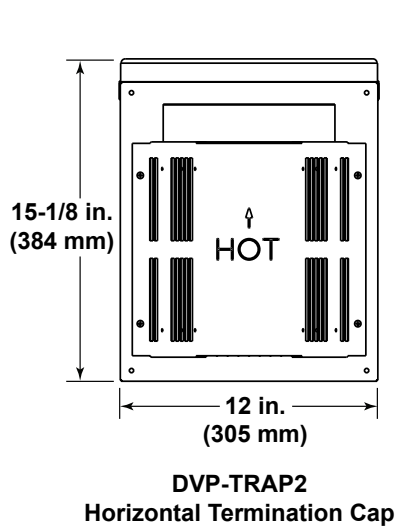


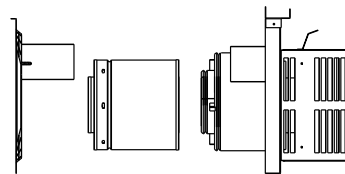
Figure 12.1 DVP Vent Components

A. Vent Components Diagrams (continued)

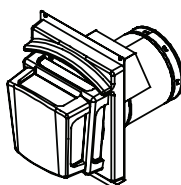
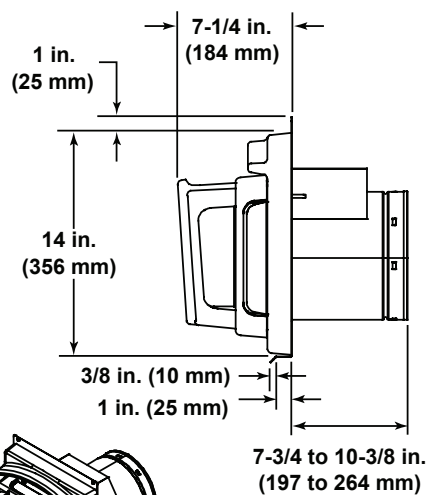
Note: Heat shields MUST overlap by a minimum of 1-1/2 in. (38 mm). **The heat shield is designed to be used on a wall 4 in. to 7-1/4 in. (102 mm to 184 mm) thick.** If wall thickness is less than 4 in. (102 mm) the existing heat shields must be field trimmed. If wall thickness is greater than 7-1/4 in. (184 mm) a DVP-HSM-B will be required.



| Term Cap | Minimum Effective Length | Maximum Effective Length |
|----------|--------------------------|--------------------------|
| Trap1 | 3-1/8 in. | 4-5/8 in. |
| | 79 mm | 117 mm |
| Trap2 | 5-3/8 in. | 9-3/8 in. |
| | 137 mm | 238 mm |

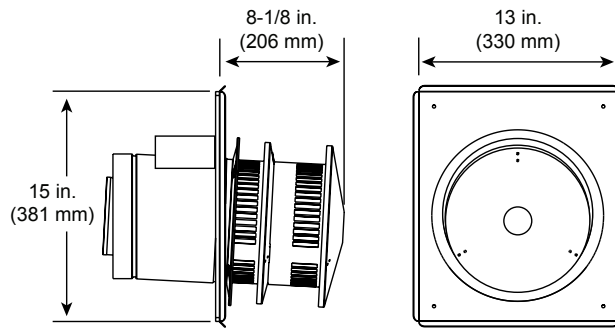


DVP-TRAP2



DVP-FBHT
FireBrick Termination Cap

Figure 12.2 DVP Vent Components



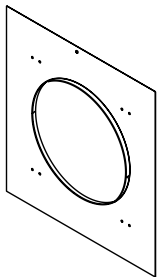
DVP-HRC-SS
Horizontal Termination Cap

⚠ WARNING

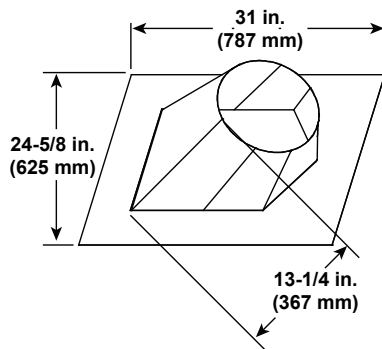


Fire Risk.

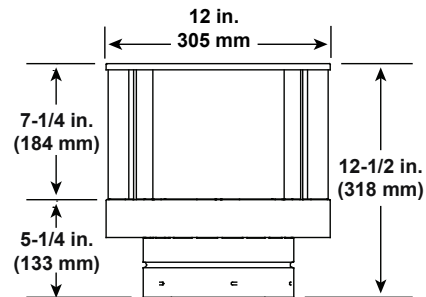
- When using DVP-HRC-SS termination cap on top vented fireplaces, a 6 inch (152 mm) minimum vertical vent section is required before installing first elbow.



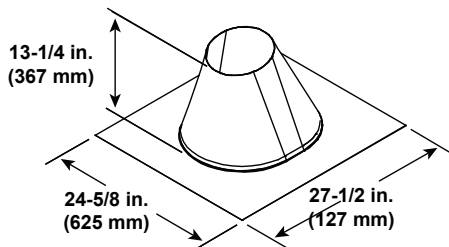
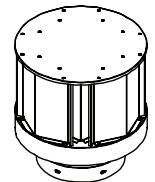
DVP-TRAPFL
Flashing



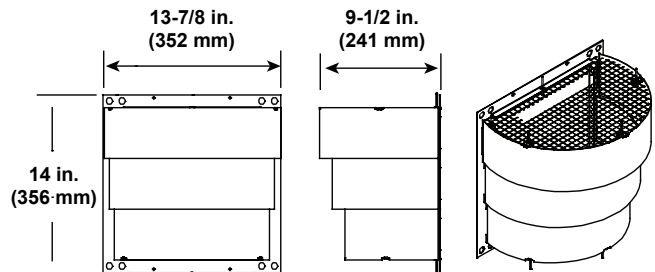
RF12M
Roof Flashing Multi-pak



DVP-TVHW
Vertical Termination Cap (Highwind)



RF6M
Roof Flashing Multi-pak



DRC-RADIUS
Cap Shield

Figure 12.3 DVP Vent Components

A. Vent Components Diagrams (continued)

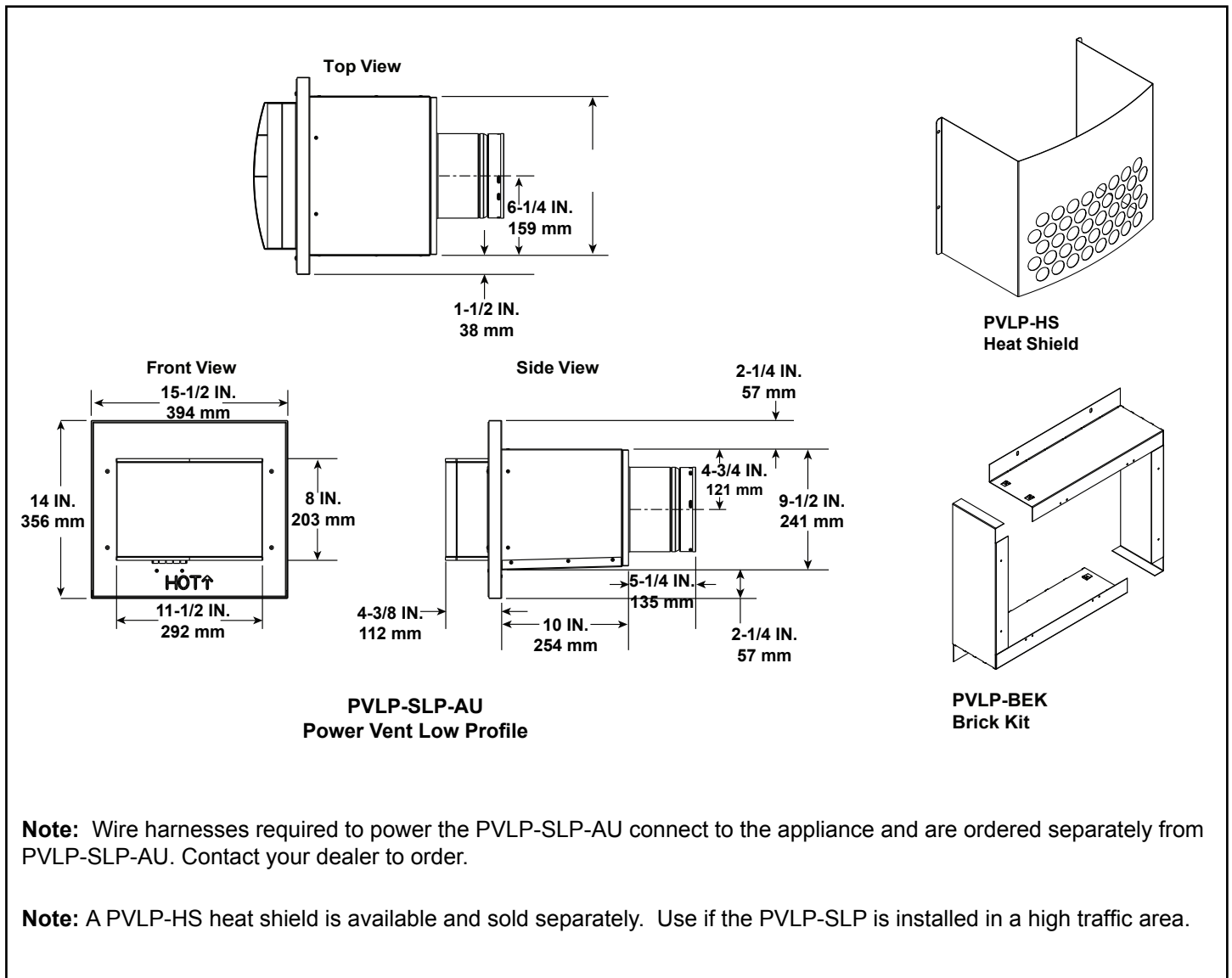


Figure 12.4 PVLP-SLP-AU Vent Components

B. Accessories

Remote Controls, Wall Controls and Wall

Switches

Follow the instructions supplied with the control installed to operate your fireplace:

For safety:

- Install a switch lock or a wall/remote control with child protection lockout feature.
- Keep remote controls out of reach of children.

Contact your dealer if you have questions.

Heat-Zone® Kit

Follow the instruction supplied with the kit for operation.

- Preparation for installation of Heat-Zone® Kit is discussed in Section 5.E.

Contact your dealer if you have questions.

Heat & Glo, a brand of Hearth & Home Technologies
7571 215th Street West, Lakeville, MN 55044
www.heatnglo.com

Please contact your Heat & Glo dealer with any questions or concerns.
For the location of your nearest Heat & Glo dealer,
please visit www.heatnglo.com.

Printed in U.S.A. - Copyright 2021