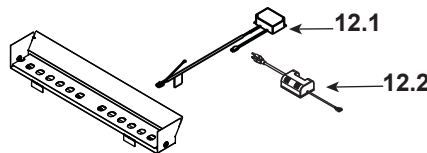


IMPORTANT: THIS IS DATED INFORMATION. Parts must be ordered from a dealer or distributor. **Hearth and Home Technologies does not sell directly to consumers.** Provide model number and serial number when requesting service parts from your dealer or distributor.

ITEM	DESCRIPTION	COMMENTS	PART NUMBER
1	Non-combustible Board, Top		SRV2316-460
2	Standoff, Top	Qty 4 req	2300-282
3	Non-combustible Board, Side	Qty 2 req	2304-461
4	Bottom glass		2312-018
5	Burner		2312-007
6	Pilot Assembly		See Following Page
7	Shield, Pilot		2300-195
8	Glass Assembly		GLA-36-HNG
9	Shield., Bottom Glass		2312-179
10	Panel, Bottom		2316-147
11	Rock Tray		2312-151

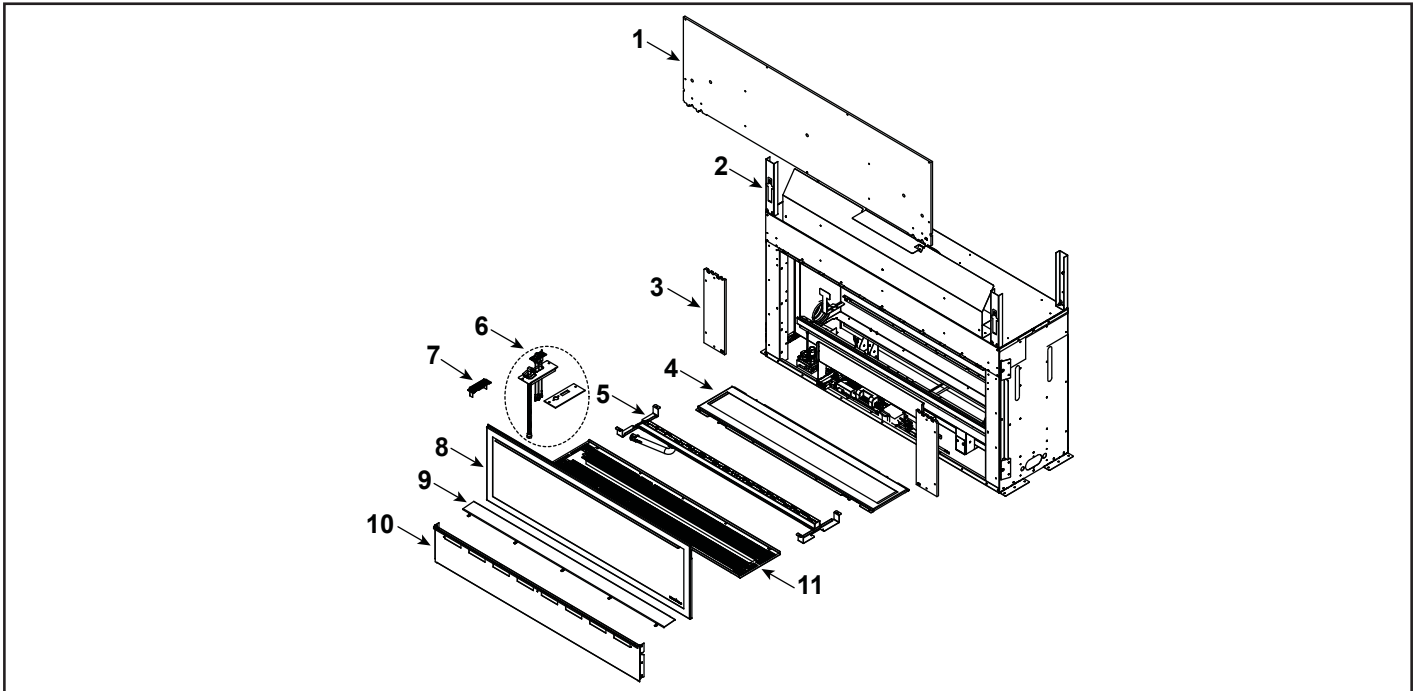
#12 LED Light Assembly



12	LED Light Assembly		SRV2316-014
12.1	LED 12V Power Supply		2493-309
12.2	AUX300CE		2166-340

Additional service part numbers on following page.

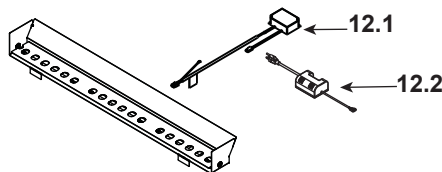
5/18



IMPORTANT: THIS IS DATED INFORMATION. Parts must be ordered from a dealer or distributor. **Hearth and Home Technologies does not sell directly to consumers.** Provide model number and serial number when requesting service parts from your dealer or distributor.

ITEM	DESCRIPTION	COMMENTS	PART NUMBER
1	Non-combustible Board, Top		SRV2304-460
2	Standoff, Top	Qty 4 req	2300-282
3	Non-combustible Board, Side	Qty 2 req	2304-461
4	Bottom glass		2300-018
5	Burner		2300-007
6	Pilot Assembly		See Following Page
7	Shield, Pilot		2300-195
8	Glass Assembly		GLA-48-HNG
9	Shield., Bottom Glass		2300-179
10	Panel, Bottom		2304-147
11	Rock Tray		2300-151

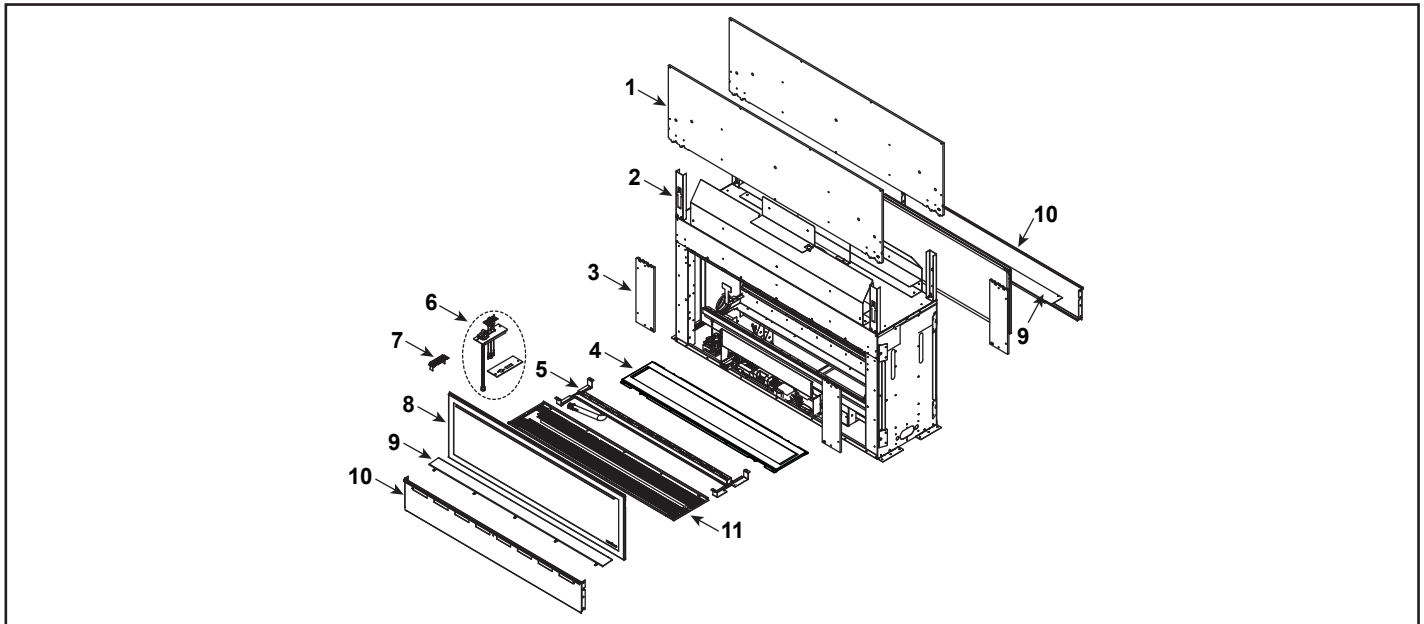
#12 LED Light Assembly



12	LED Light Assembly		SRV2304-014
12.1	LED 12V Power Supply		2493-309
12.2	AUX300CE		2166-340

Additional service part numbers on following page.

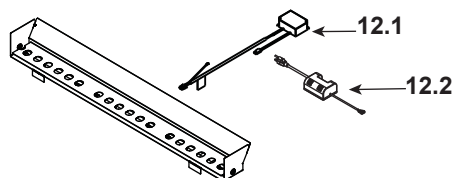
5/18



IMPORTANT: THIS IS DATED INFORMATION. Parts must be ordered from a dealer or distributor. **Hearth and Home Technologies does not sell directly to consumers.** Provide model number and serial number when requesting service parts from your dealer or distributor.

ITEM	DESCRIPTION	COMMENTS	PART NUMBER
1	Non-combustible Board, Top	Qty 2 req	SRV2304-460
2	Standoff, Top	Qty 4 req	2300-282
3	Non-combustible Board, Side	Qty 4 req	2304-461
4	Bottom glass		2300-018
5	Burner		2300-007
6	Pilot Assembly		See Following Page
7	Shield, Pilot		2300-195
8	Glass Assembly	Qty 2 req	GLA-48-HNG
9	Shield., Bottom Glass w/vent		2300-179
	Shield., Bottom Glass		2301-179
10	Panel, Bottom w/vent		2304-147
	Panel, Bottom		2305-147
11	Rock Tray		2300-151

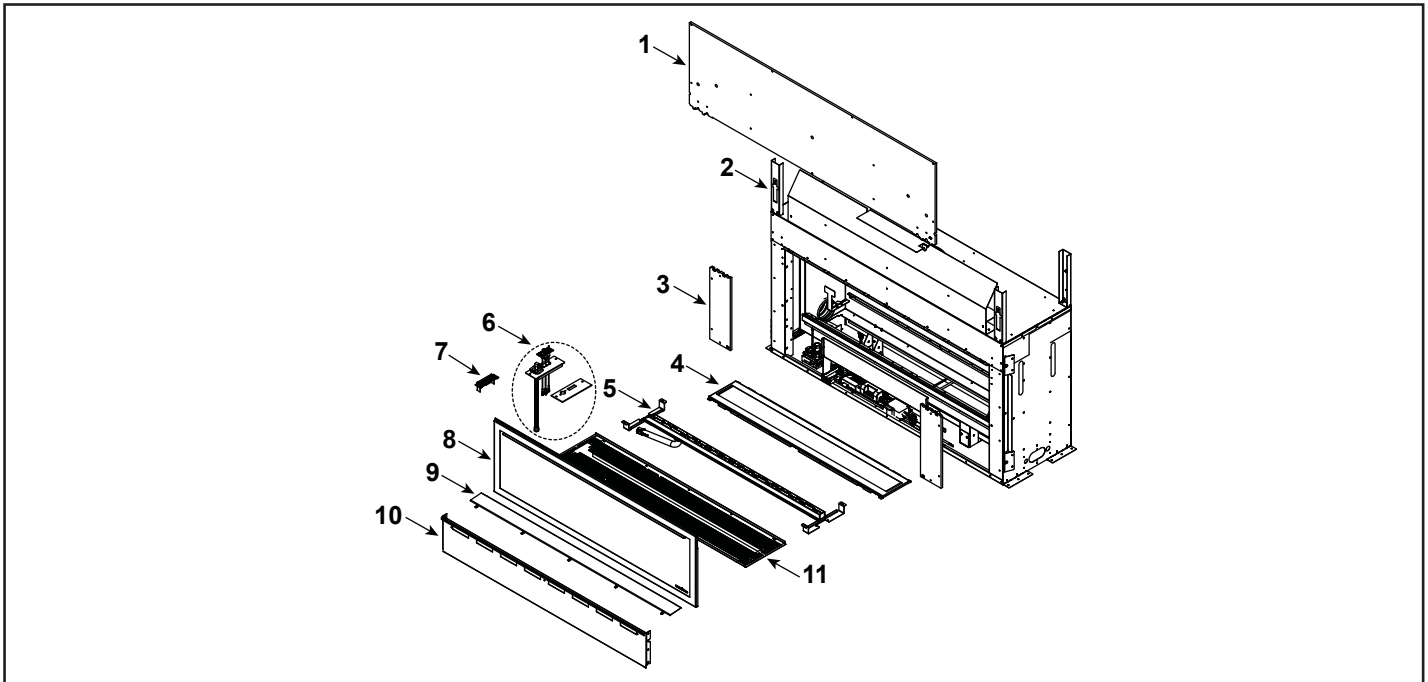
#12 LED Light Assembly



12	LED Light Assembly		SRV2304-014
12.1	LED 12V Power Supply		2493-309
12.2	AUX300CE		2166-340

Additional service part numbers on following page.

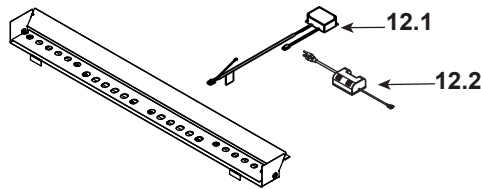
5/18



IMPORTANT: THIS IS DATED INFORMATION. Parts must be ordered from a dealer or distributor. **Hearth and Home Technologies does not sell directly to consumers.** Provide model number and serial number when requesting service parts from your dealer or distributor.

ITEM	DESCRIPTION	COMMENTS	PART NUMBER
1	Non-combustible Board, Top		SRV2323-460
2	Standoff, Top	Qty 4 req	2300-283
3	Non-combustible Board, Side	Qty 2 req	2304-461
4	Bottom glass		2321-018
5	Burner		2321-007
6	Pilot Assembly		See Following Page
7	Shield, Pilot		2300-195
8	Glass Assembly		GLA-60-HNG
9	Shield., Bottom Glass		2321-179
10	Panel, Bottom		2323-147
11	Rock Tray		2321-151

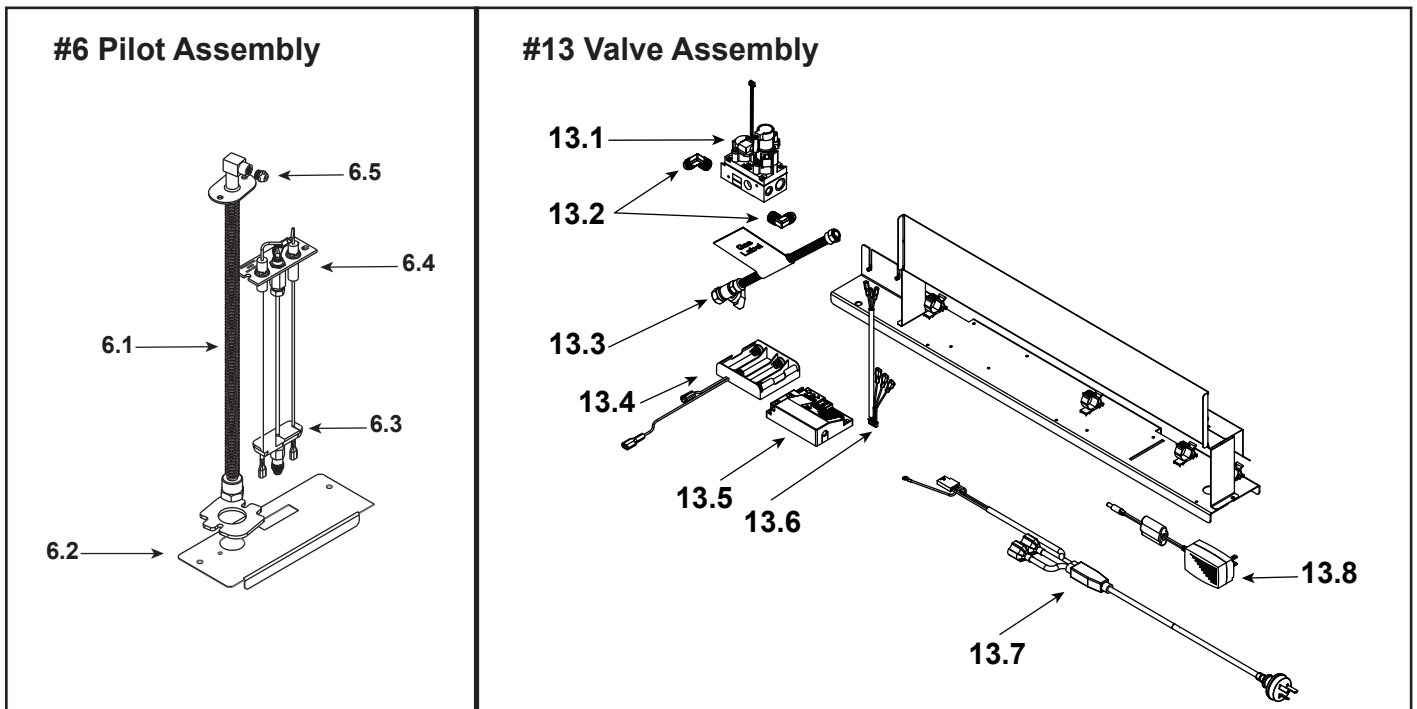
#12 LED Light Assembly



12	LED Light Assembly		SRV2323-014
12.1	LED 12V Power Supply		2493-309
12.2	AUX300CE		2166-340

Additional service part numbers on following page.

5/18



IMPORTANT: THIS IS DATED INFORMATION. Parts must be ordered from a dealer or distributor. **Hearth and Home Technologies does not sell directly to consumers.** Provide model number and serial number when requesting service parts from your dealer or distributor.

ITEM	DESCRIPTION	COMMENTS	PART NUMBER
6.1	Bulkhead W/Flex tube		2166-119
6.2	Plate Flex and Pilot		2300-163
6.3	3-Hole Grommet		SRV2118-420
6.4	Pilot Assembly, NG		SRV2090-012
	Pilot Assembly, LP		2090-013
6.5	Orifice, NG #36C	MEZZO1000-AUB	582-836
	Orifice, LP #52C		SRV582-852
	Orifice, NG #.124	MEZZO1300-AUB & MEZZO1300ST-AUB	582-8124
	Orifice, LP #49C		SRV582-849
	Orifice, NG #28C	MEZZO1600-AUB	582-828
	Orifice, LP #48C		SRV582-848
13.1	Valve, NG		2166-302
	Valve, LP		2166-303
13.2	Elbow	Qty 2 req	SRV4021-045
13.3	Flex Ball Valve Assembly		2078-022
13.4	Battery Pack		SRV2166-323
13.5	Module		2166-306
13.6	Wire Harness		2166-304
13.7	Junction Cord		2222-374
13.8	DC Regulator		SRV2326-131

Additional service part numbers on following page.



No one builds a better fire

Service Parts **MEZZO1000 / 1300 / 1300ST / 1600-AUB**

Beginning Manufacturing Date: Feb 2016
Ending Manufacturing Date: Active

IMPORTANT: THIS IS DATED INFORMATION. Parts must be ordered from a dealer or distributor. **Hearth and Home Technologies does not sell directly to consumers.** Provide model number and serial number when requesting service parts from your dealer or distributor.

ITEM	DESCRIPTION	COMMENTS	PART NUMBER
	Cable, Linear		2300-754
	Flue Restrictor		385-128
	Fiber Glass Rope		060-455
	Gasket Assembly Contains:Vent, Burner Neck, Seal Cap, Air Passage, Drawn Air Passage, and Flex and Pilot		2300-080
	Glass Latch Assembly	Qty 2 req for 1000-AUB	2146-413
		Qty 4 req for 1300-AUB and 1600-AUB	
		Qty 8 req for MEZZO1300ST-AUB	
	Log Assembly (Optional)	MEZZO1000-AUB	LOGS-36
		MEZZO1300-AUB & MEZZO1300ST-AUB	LOGS-48
		MEZZO1600-AUB	LOGS-60
	Light Kit, Ambient	MEZZO1000-AUB	ALK-36
		MEZZO1300-AUB & MEZZO1300ST-AUB	ALK-48
		MEZZO1600-AUB	ALK-60
	Refractory Assembly, Black Glass	MEZZO1000-AUB	BGK-36
		MEZZO1300-AUB	BGK-48
		MEZZO1300ST-AUB	BGK- LINEARST
		MEZZO1600-AUB	BGK-60
	Remote RC300AU-HNG		2166-333
	Touch Up Paint		TUP-GBK-12
	Vinyl Siding Shield		TRAP-VSS



No one builds a better fire

Service Parts MEZZO1000 / 1300 / 1300ST / 1600-AUB

Beginning Manufacturing Date: Feb 2016
Ending Manufacturing Date: Active

IMPORTANT: THIS IS DATED INFORMATION. Parts must be ordered from a dealer or distributor. **Hearth and Home Technologies does not sell directly to consumers.** Provide model number and serial number when requesting service parts from your dealer or distributor.

ITEM	DESCRIPTION	COMMENTS	PART NUMBER
Media Options - MEZZO1000-AUB			
	Media Kit, Red		MEDIA-RED-36
	Media Kit, Fog		MEDIA-FOG-36
	Media Kit, Ebony		MEDIA-EBONY-36
	Media Kit, Cobalt		MEDIA-COBALT-36
	Media Kit, Clear		MEDIA-CLEAR-36
	Media Kit, Amber		MEDIA-AMBER-36
Media Options - MEZZO1300-AUB			
	Media Kit, Red		MEDIA-RED-48
	Media Kit, Fog		MEDIA-FOG-48
	Media Kit, Ebony		MEDIA-EBONY-48
	Media Kit, Cobalt		MEDIA-COBALT-48
	Media Kit, Clear		MEDIA-CLEAR-48
	Media Kit, Amber		MEDIA-AMBER-48
Media Options - MEZZO1600-AUB			
	Media Kit, Red		MEDIA-RED-60
	Media Kit, Fog		MEDIA-FOG-60
	Media Kit, Ebony		MEDIA-EBONY-60
	Media Kit, Cobalt		MEDIA-COBALT-60
	Media Kit, Clear		MEDIA-CLEAR-60
	Media Kit, Amber		MEDIA-AMBER-60
Conversion Kits			
	Conversion Kit NG		N/A
	Conversion Kit LP	MEZZO1000-AUB	ULPK-1000
		MEZZO1300-AUB	ULPK-1300
		MEZZO1300ST-AUB	
		MEZZO1600-AUB	ULPK-1600
	Pilot Orifice, NG		SRV593-528
	Pilot Orifice, BU		593-529
	Pilot Orifice, LP		SRV593-527
	Regulator, NG		NGK-DXV-50
	Regulator, LP		SRVLPK-DXV-50