



No one builds a better fire

Service Parts

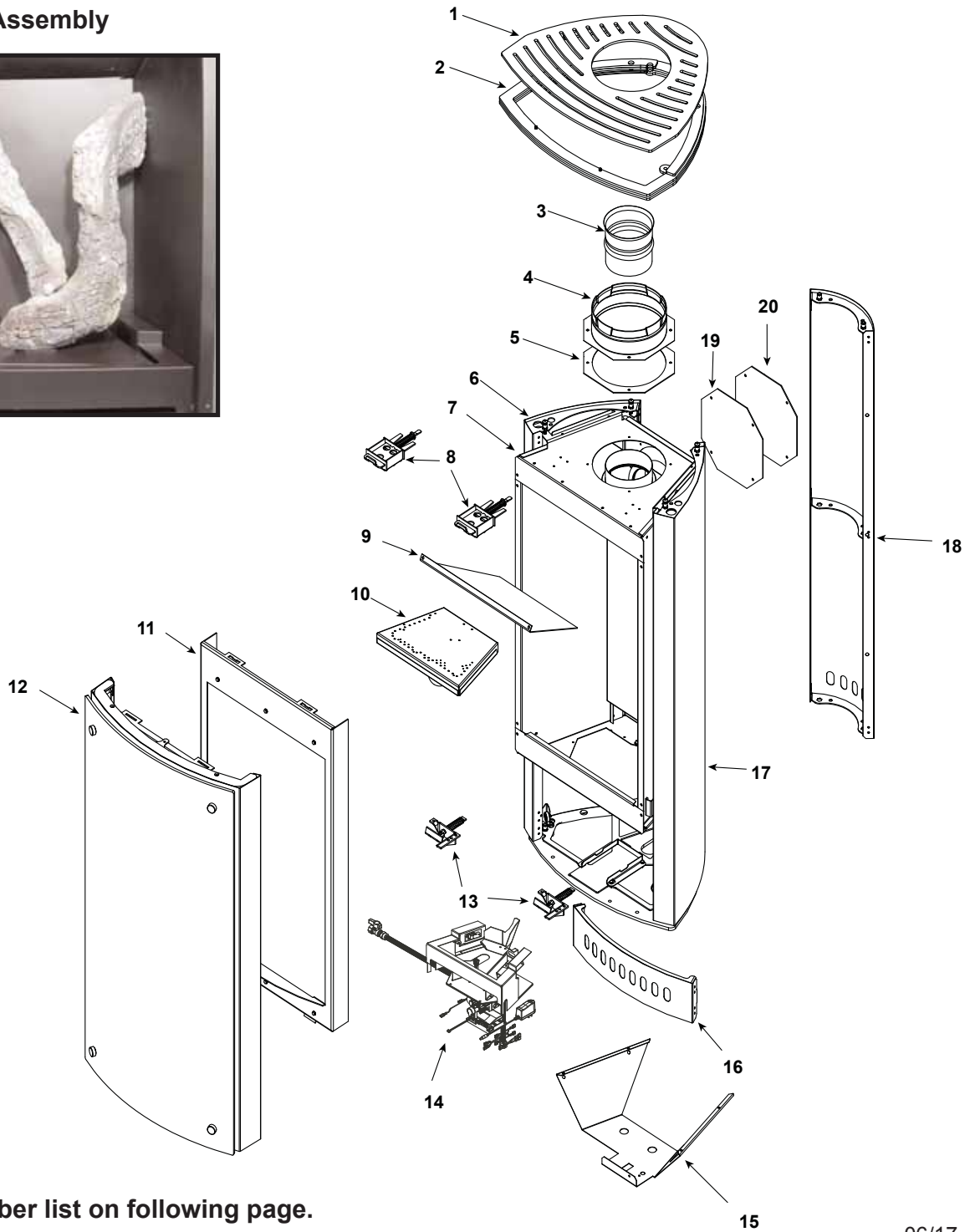
Vertical Stove - DV

VRTIKL-AUB

Beginning Manufacturing Date: Mar 2011  
Ending Manufacturing Date: Active

VRT-BK-N-AUB Beginning Manufacturing Date: Sept 2014  
VRT-GY-N-AUB, VRT-BZ-N-AUB: (Ending Manufacturing Date: April 2017)  
VRT-GY-P-AUB, VRT-BZ-P-AUB (Ending Manufacturing Date: May 2012)

Log Set Assembly



Part number list on following page.

06/17

No one builds a better fire

Beginning Manufacturing Date: Mar 2011  
Ending Manufacturing Date: Active

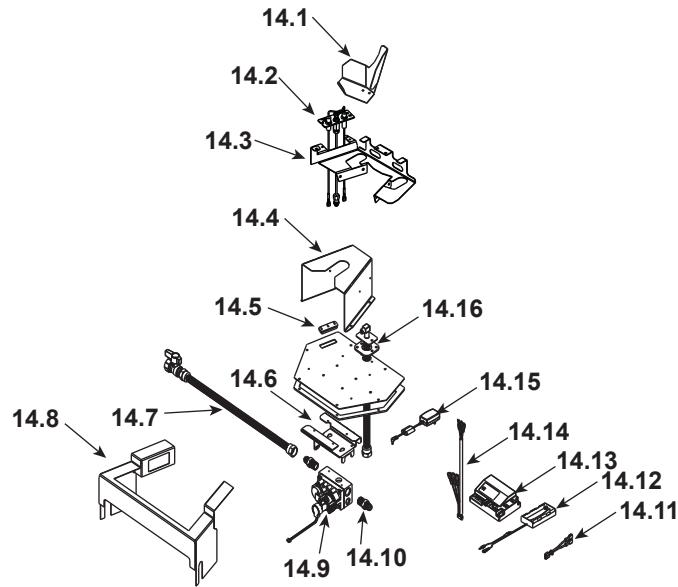
IMPORTANT: THIS IS DATED INFORMATION. Parts must be ordered from a dealer or distributor. **Hearth and Home Technologies does not sell directly to consumers.** Provide model number and serial number when requesting service parts from your dealer or distributor.

ITEM	DESCRIPTION	COMMENTS	PART NUMBER
	Log Set Assembly		7031-033
1	Removable Top Assembly Top Vent	Gray	2123-012
		Black	2123-012-BK
	Removable Top Assembly Rear Vent	Gray	2123-025
		Black	2123-025-BK
2	Top Assembly	Gray	7031-013
		Black	7031-013-BK
3	Adapter 4 inch flue collar		SLP-SA
4	DV Starting Collar		2189-002
5	Adapter Gasket		460-0610
6	Side Assembly Left	Gray	2123-027
		Black	2123-027-BK
7	Firebox Assembly		2123-004
8	Latch Assembly Upper		7003-006
9	Heat Shield		2123-120
10	Burner N		2123-017
	Burner P		2123-022
11	Glass Frame Assembly		2123-005
12	Front Door Assembly	Bronze	2123-028
		Gray	2123-016
		Black	2123-028-BK
13	Latch Assembly Lower	Pkg of 2	33858/2
14	Valve Assembly		<b>Refer to valve page</b>
15	Air Deflector		2189-112
16	Access Door Assembly	Gray	7031-023
		Black	7031-023-BK
17	Side Assembly Right	Gray	2123-026
		Black	2123-026-BK
18	Back Panel Assembly Top Vent	Gray	7031-021
		Black	7031-021-BK
	Back Panel Assembly Rear Vent	Gray	7031-022
		Black	7031-022-BK
19	Cover Plate Gasket		7010-160
20	Cover Plate		2189-111
	Cap and Barrel	Gray	2123-019
		Black	2143-030

No one builds a better fire

Beginning Manufacturing Date: Mar 2011  
Ending Manufacturing Date: Active

### #14 Valve Assembly



**IMPORTANT: THIS IS DATED INFORMATION.** Parts must be ordered from a dealer or distributor. **Hearth and Home Technologies does not sell directly to consumers.** Provide model number and serial number when requesting service parts from your dealer or distributor.

ITEM	DESCRIPTION	COMMENTS	PART NUMBER
14	Valve Plate Assembly N		2123-008
	Valve Plate Assembly P		2123-009
14.1	Log Bracket		7031-282
14.2	Pilot Assembly N	Pre T0021039	2198-014
		Post T0021039	2090-012
	Pilot Assembly P	Pre T0021039	2198-015
		Post T0021039	2098-013
14.3	Pilot Bracket		2123-140
14.4	Burner Support		7031-279
14.5	3-Hole Grommet		2118-420
14.6	Valve Bracket		2189-117
14.7	Flex Ball Valve Assembly, 24"		3-40-2098034
14.8	Burner Shelf		2123-126
14.9	Valve N		2166-302
	Valve P		2166-303
14.10	Male Connector	Pkg of 5	303-315/5
14.11	Jumper Wire		2187-198
14.12	Battery Pack**		4067-223
14.13	Module, Gray		2166-306
14.14	Wire Harness		2166-304
14.15	Transformer, 6 Volt, Wall		2326-131
14.16	Flex gas Connector		303-320A
	Orifice N (#41C)		582-841
	Orifice P (#54C)		582-854

\*\*Fuse for battery pack can be sourced locally, not a warranty item. Specs are 500mA~10A 3/4" long

