



visionLINE[™]
FIREPLACE & FLUE SYSTEMS

VisionLINE designs, creates and manufactures premium quality fireplaces, venting systems and fireside accessories to meet the unique requirements in the Australian market. Modern, cutting edge designs incorporated into durable and made to last products make your investment in VisionLINE products a lifetime relationship.

visionLINE™

Made and designed in Europe



Scan to view our
VisionLINE AIR Flue
walkthrough video

VisionLINE design, creates and manufactures premium, European style fireplaces, venting systems and fireside accessories to meet the unique requirements in the Australian market.

We are proud to be at the forefront of fireplace and flue system technology, particularly when it comes to safety in your home, as well as efficiency. At **VisionLINE** fireplaces, we use a kiln brick inside our units due to its thermal mass and durability. Typically, European style fireplaces sold in Australia use a material called Vermiculite, which is a thermally efficient and lightweight compressed ceramic material. The problem with this material when used in fireplaces is that it is fragile and prone to breaking if the user is not careful when placing wood into the fire to

re-fuel. Kiln bricks are clay based, extremely dense and heavy and best suited in situations where impact with a dense Australian hardwood is likely.

All **VisionLINE** wood fireplaces are outside air kit ready. An outside air kit provides air for combustion to the fireplace by drawing oxygen from outside the home. This improves the performance of the fireplace in properties that are particularly tightly-constructed or well insulated. All units are also tested and approved with **VisionLINE** AIR flue which is a room sealed insulated flue providing ultimate efficiency for your home while reducing wind noise by up to 95%. This unique flue can also draw combustion air to the fireplace connecting to outside air.

Modern cutting-edge designs incorporated into durable and made to last products make your investment in **VisionLINE** products a lifetime relationship.

Model featured: Taurus

visionLINE™

Made and designed in Europe

SPIN

Making a strong statement, whilst heating beautifully and efficiently, the VisionLINE Spin wood burning stove is poetry in motion, rotating 360 degrees on a pedestal, for warmth where needed.

With its elegant, cylindrical form and effective display of the fire, the Spin is designed for ease of use and is created with the highest quality materials. Come home to a touch of European flare with a VisionLINE Spin wood burning stove.

Key Features:

- 360 degrees rotation
- Elegant integrated door handle concealed behind the main door
- Distinctive smokeless surface paint
- Concealed handle to operate primary and secondary air
- 340mm logs can be used
- Self closing door system
- Dual latching door provides solid operation
- Winter white hue in burning chamber
- Designed as secondary source heating
- Durable 25mm firebrick sides and baffles



BURN TIME
Up to 6h



AVG EFFICIENCY
61%



PEAK EFFICIENCY
68%



EMISSIONS
1.2G/KG



HEATING CAPACITY
Up to 12 SQ



LOG LENGTH
Max 340mm

CIRCLE

Simple in design, and contemporary in style, the VisionLINE Circle wood burning fireplace melds seamlessly into any space. For interiors where size is an issue, the minimalism of its rounded form strikes a strong impression, with the Circle perfect for placement in the centre of a room.

Clean lines, cutting edge technology and high quality materials ensure the Circle will warm and burn brightly for decades to come.

Key Features:

- Winter white hue in burning chamber
- Elegant integrated door handle
- Distinctive smokeless surface paint
- Concealed handle to operate primary and secondary air
- Full cast iron grate
- Self closing door system
- Dual latching door provides solid operation
- Black glass covered sliding drawer door
- Ready to connect to outside air via rear inlet or directly to the spigot with VisionLINE AIR pipe
- Designed as secondary source heating
- Durable 25mm firebrick sides and baffles



BURN TIME
Up to 7h



AVG EFFICIENCY
61%



PEAK EFFICIENCY
68%



EMISSIONS
1.0G/KG



HEATING CAPACITY
Up to 12 SQ



LOG LENGTH
Max 300mm



PHOENIX

The VisionLINE Phoenix offers a modern design with clean, sophisticated lines, and the option of a convenient wood storage pedestal base. Taking its design principles from its larger counterpart the Taurus, the Phoenix is the perfect complement for any contemporary home.

Featuring a unique rear crossflow baffle system, which gives you more room for fuel with a bypass for easy starting, and optional dual fans, the Phoenix will help create a warming environment during the harshest of Australian winters.

Key Features:

- Full glass door
- Rear Crossflow baffle system
- Heavy Kiln brick lined firebox with ash lip
- Baffle bypass system for easy starting
- Single burn rate control
- Outside air ready
- Dual fan option
- 6mm Steel construction
- Tested with both mesh and solid decorative flue



BURN TIME
Up to 12h



AVG EFFICIENCY
61%



PEAK EFFICIENCY
74%



EMISSIONS
1.0G/KG



HEATING CAPACITY
Up to 250 m² heat output



LOG LENGTH
Max 460mm



*FREESTANDING UNIT ONLY

TAURUS

A feature-rich slow combustion unit, the VisionLINE Taurus unit encompasses style and class with efficient, radiating heat.

The rectangular fireplace is distinguished by its high-quality materials and is offered in 3 different models, melding into any space with ease.

Accompanied by a large heating capacity and long burn time the VisionLINE Taurus unit will emanate warmth and sophistication, transforming any space with its sleek and modern design.

Key Features:

- Heavy duty 50mm firebrick baffle
- Steel construction with self-cleaning white hue brick liners
- Self-closing door with dual latching mechanism
- Deep internal ash lip to prevent spillage
- Available configurations
 - Freestanding (with fan option)
 - Zero clearance (installation into timber stud frame)
 - Insert into brick fireplace
- Heating capacity to suit a large home
- Long burn time
- Large full glass door with modern removable door handle



INBUILT ZC



BURN TIME
Up to 12h



AVG EFFICIENCY
61%



PEAK EFFICIENCY
74%



EMISSIONS
1.3G/KG



HEATING CAPACITY
Up to 22 SQ



LOG LENGTH
Max 700mm

FREESTANDING



BURN TIME
Up to 12h



AVG EFFICIENCY
61%



PEAK EFFICIENCY
74%



EMISSIONS
1.3G/KG

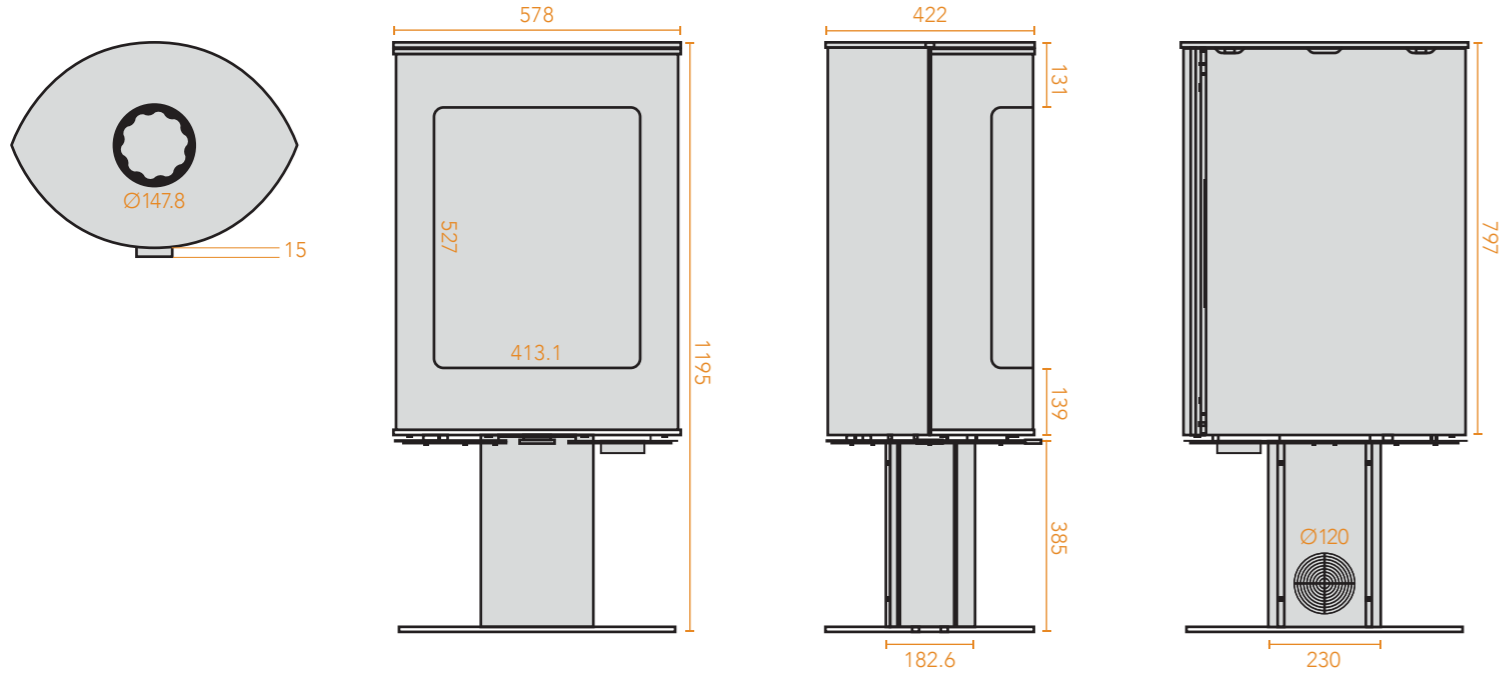


HEATING CAPACITY
Up to 30 SQ



LOG LENGTH
Max 700mm

SPIN

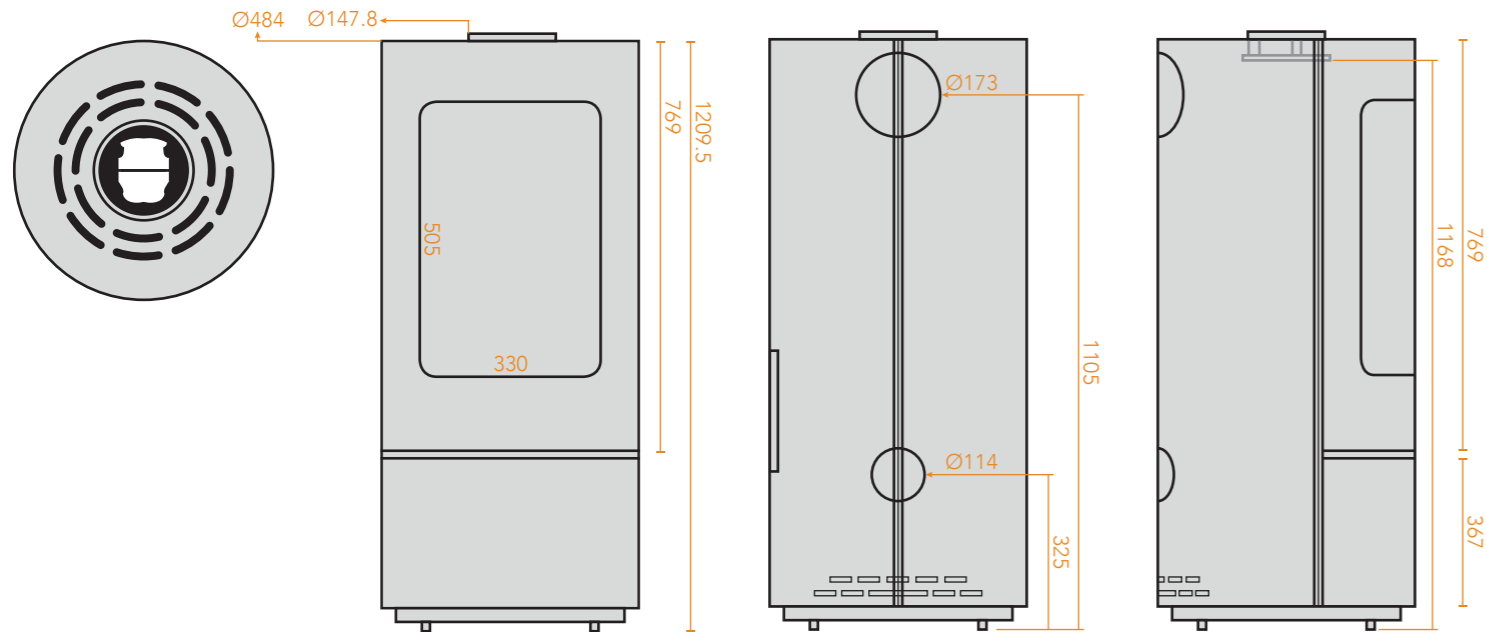


Parallel Positioning		*Fixed position Installation
A	Min. Clearance from firebox to rear wall	450
B	Min. Clearance from firebox to side wall	650
C	Min. Distance from firebox opening to floor protector front	300
D	Centre of flue to rear wall	669
E	Centre of flue to side wall	941
F	Min recommended hearth depth	1280
G	Min floor protector width	780

Corner Positioning		*Fixed position Installation
A	Min clearance from firebox to corner wall	450
B	Min depth of floor protector	1138
C	Min distance from firebox to floor protector front	300
D	Centre of flue to wall	706
E	Min floor protector width	780
F	Corner wall to hearth front	1365
G	Corner of hearth to wall	804

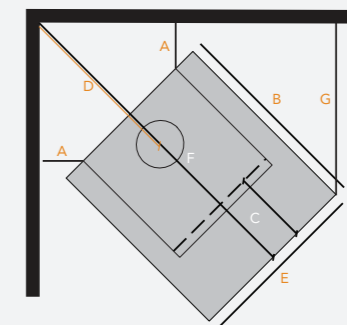
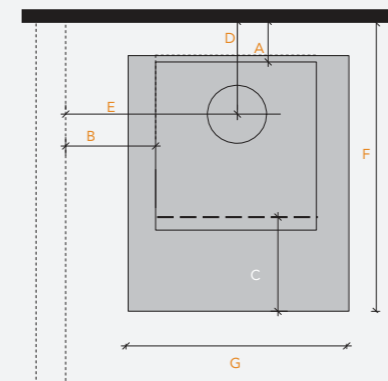
Please note: If using as a rotating fireplace, ensure the floor protector extends 300mm in front of the glass in all rotated positions.

CIRCLE



Parallel Positioning		SOLID OR DECRO MESH
A	Min. Clearance from firebox to rear wall	125
B	Min. Clearance from firebox to side wall	550
C	Min. Distance from firebox opening to floor protector front	300
D	Centre of flue to rear wall	367
E	Centre of flue to side wall	792
F	Min recommended hearth depth	910
G	Min floor protector width	700

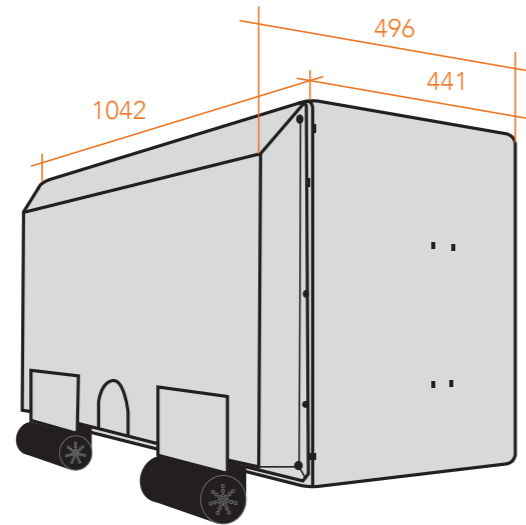
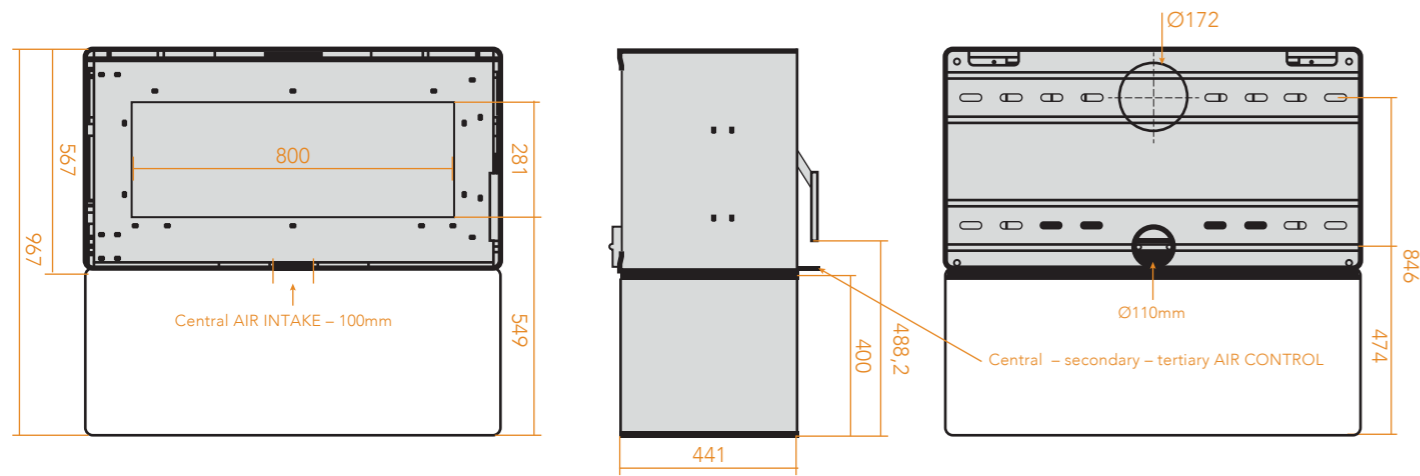
Corner Positioning		SOLID OR DECRO MESH
A	Min clearance from firebox to corner wall	175
B	Min depth of floor protector	785
C	Min distance from firebox to floor protector front	300
D	Centre of flue to wall	590
E	Min floor protector width	700
F	Corner wall to hearth front	1050
G	Corner of hearth to wall	555



Parallel Positioning

Corner Positioning

TAURUS

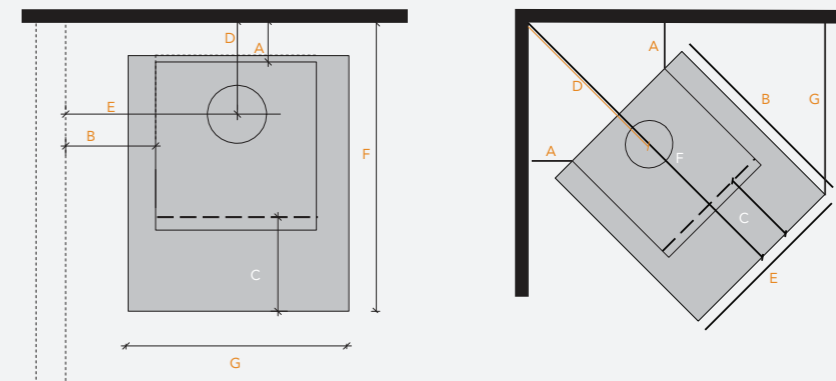


Parallel Positioning		Default flue with unit heat shield and on FS base
A	Min. Clearance from firebox to rear wall	200
B	Min. Clearance from firebox to side wall	475
C	Min. Distance from firebox opening to floor protector front	300
D	Centre of flue to rear wall	451
E	Centre of flue to side wall	996
F	Min recommended hearth depth	1000
G	Min floor protector width	1230

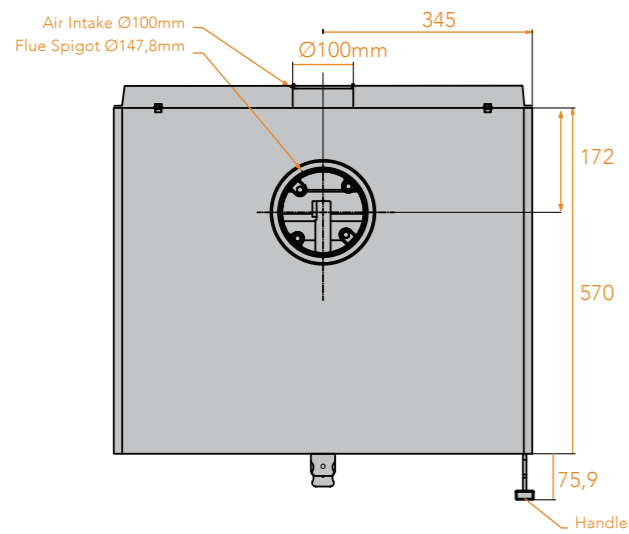
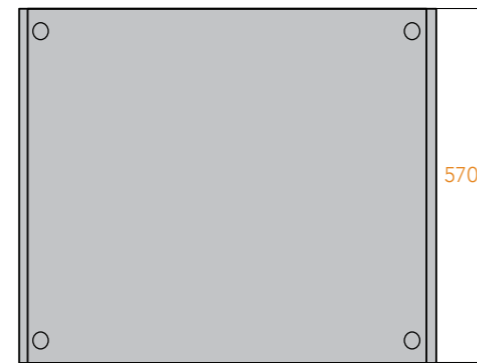
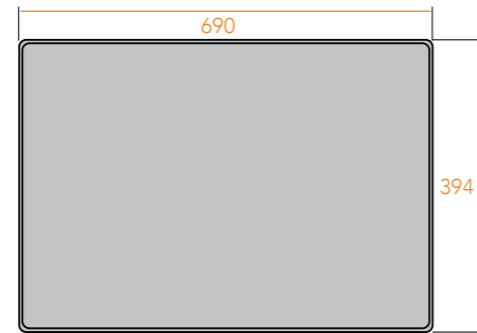
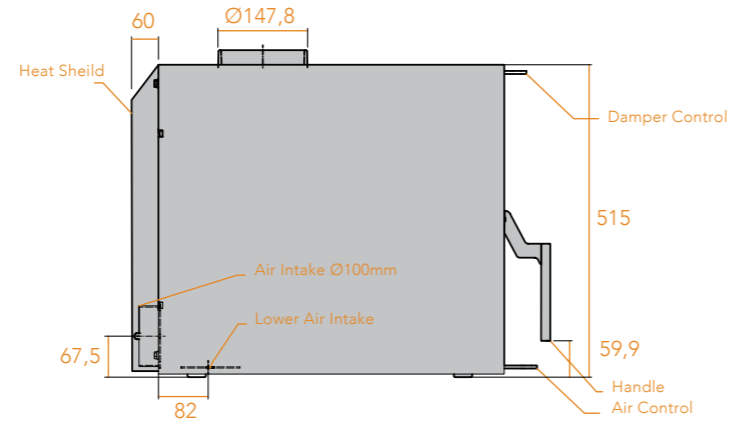
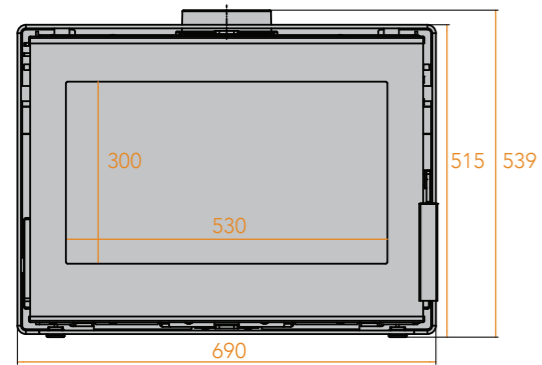
Corner Positioning		Default flue with unit heat shield and on FS base
A	Min clearance from firebox to corner wall	200
B	Min depth of floor protector	993
C	Min distance from firebox to floor protector front	300
D	Centre of flue to wall	743
E	Min floor protector width	1230
F	Corner wall to hearth front	1572
G	Corner of hearth to wall	695

Please note: Rear unit shield is required for fan installation and 200mm rear wall clearance from the shield.
Rear shield not required for zero clearance installation.

Inbuilt ZC specifications are available online



PHOENIX



Parallel Positioning	8" MESH WITH SHIELD	8" SOLID WITH SHIELD
A Min clearance from firebox to rear wall	150	250
B Min clearance from firebox to side wall	425	425
C Min distance from firebox to floor protector front	300	300
D Centre of flue to rear wall	382	482
E Centre of flue to side wall	775	775
F Min recommended hearth depth	1080	1180
G Min floor protector width	930	930

*The spin can rotate 360 degrees on its base when not locked in the fixed position. When the front of the appliance faces a combustible wall, 1500mm minimum clearance must be maintained and the minimum 300mm forehearth must be maintained in front of the appliance.

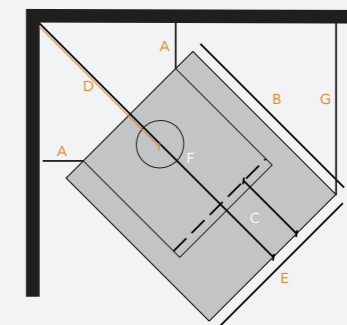
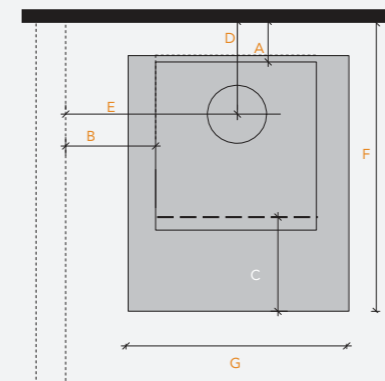
For more detailed information, see the installation manual online.

Taurus ZC hearth specs available online.

Corner Positioning	8" MESH WITH SHIELD	8" SOLID WITH SHIELD
A Min clearance from firebox to corner wall	150	225
B Min depth of floor protector	1030	1120
C Min distance from firebox to floor protector front	300	300
D Centre of flue to wall	515	568
E Min floor protector width	930	930
F Corner wall to hearth front	1384	1448
G Corner of hearth to wall	727	793

Please note: 300mm hearth projection min. when using optional wood storage base/pedestal Corner installation requires an additional 900mm high x 180 of stainless steel flue shield fitted between mesh or solid casing and active flue.

Additional rear unit heat shield must be installed unless against a non-combustible wall.





VisionLINEFire.com.au



Designed in Australia, Made in Europe



FIREWOOD ASSOCIATION
OF AUSTRALIA INC™