

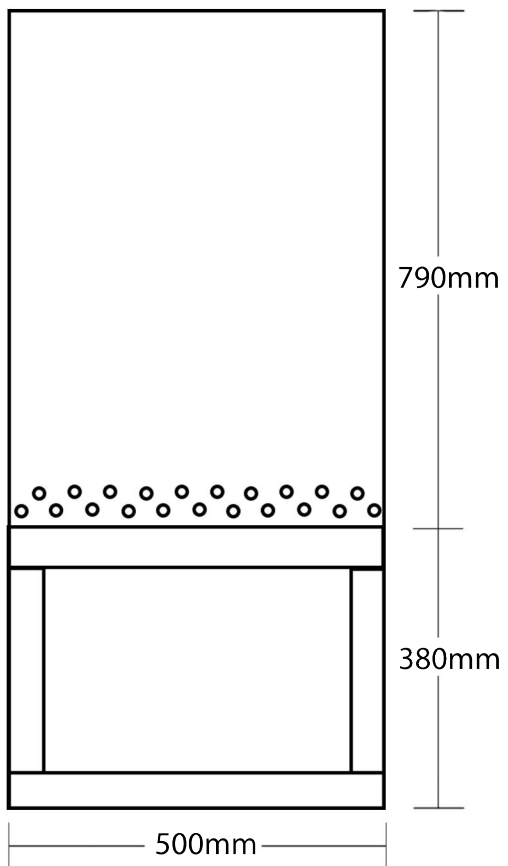
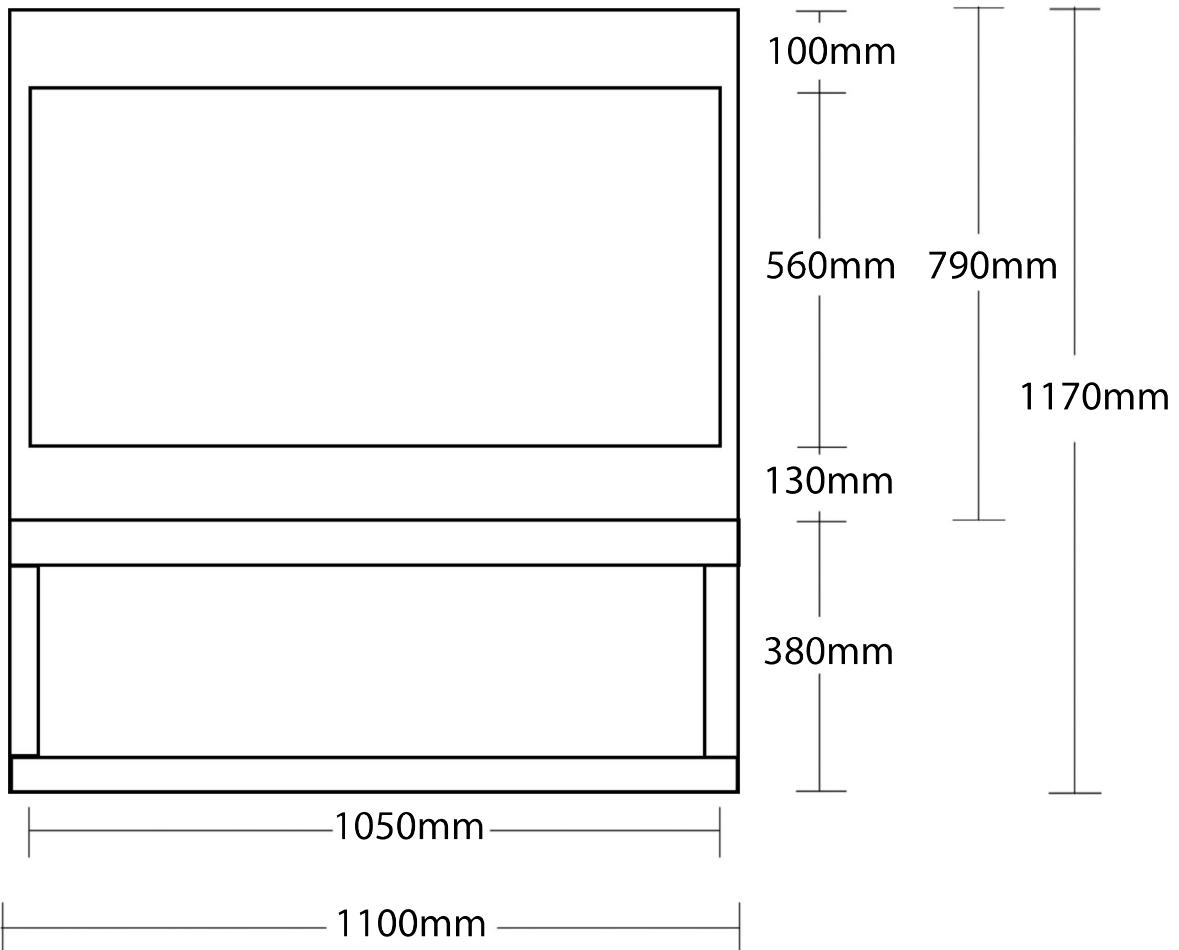


TAURUS-AU

Zero Clearance Installation Manual



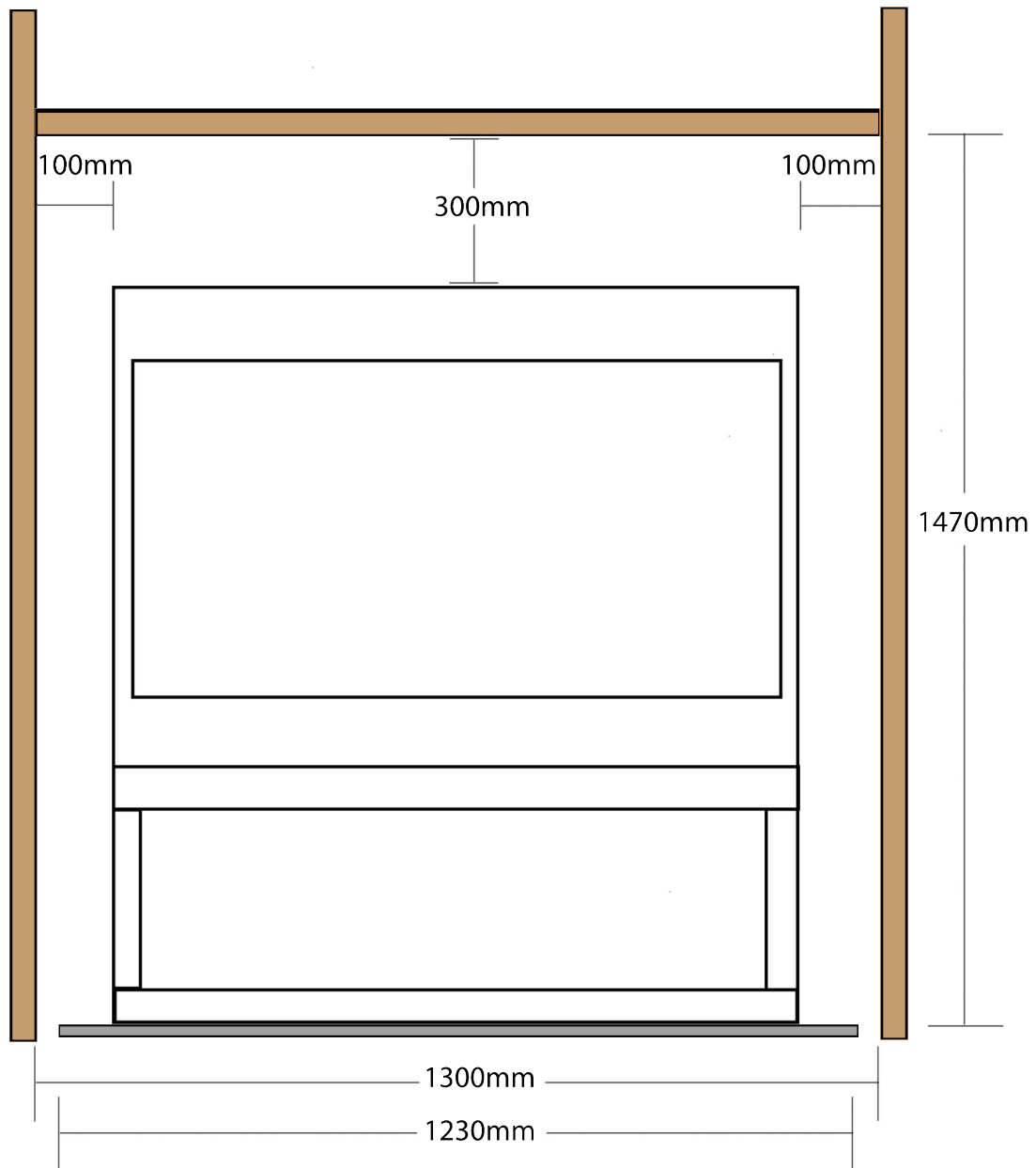
Zero Clearance Casing Dimensions



Timber framing guide

Front Elevation

Frame Opening of 1300mm wide x 1470mm high x 550mm deep



Floor Protection Requirements

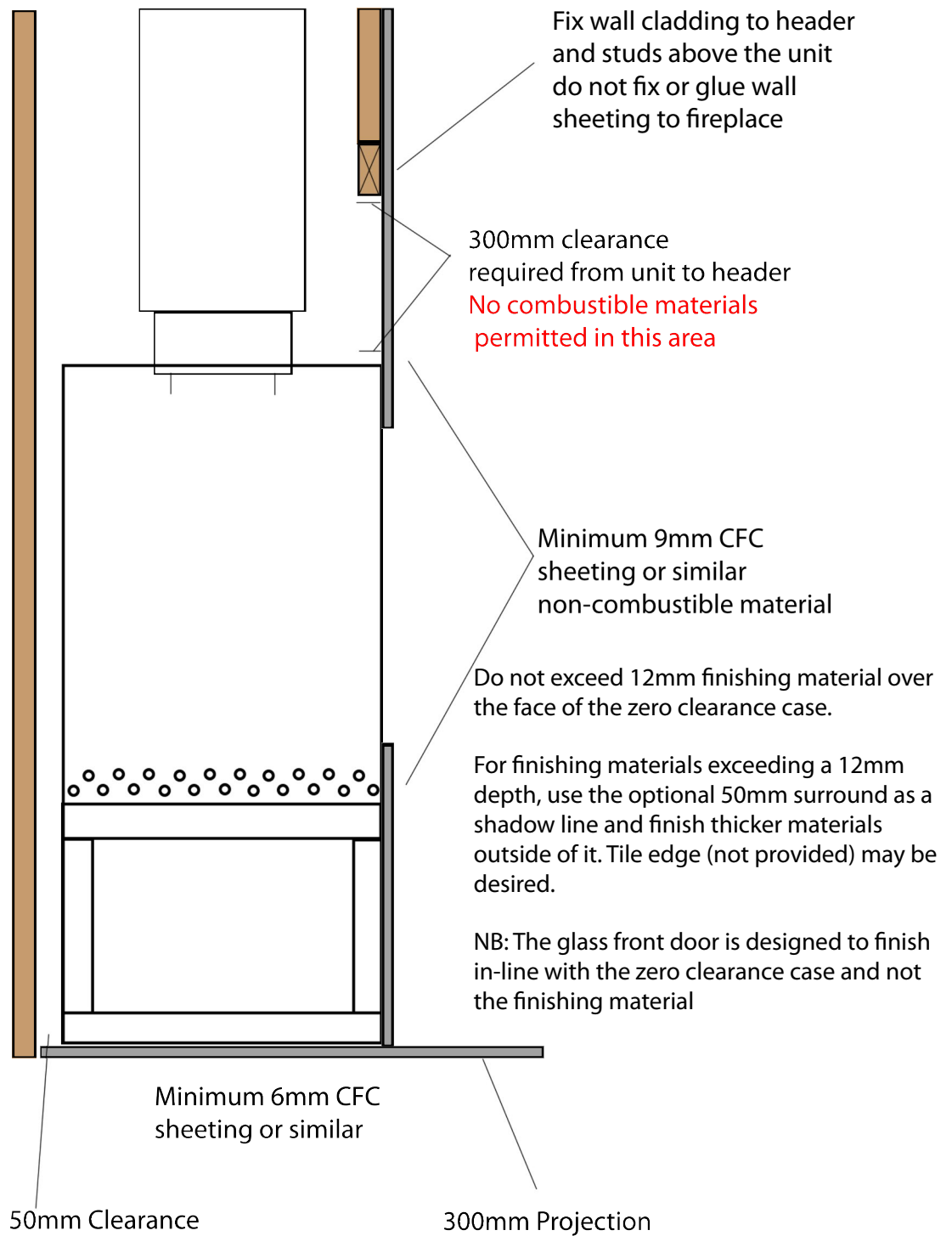
The unit must be installed on a 6mm thick compressed board, minimum floor protection required below the unit is 550mm deep x 1240mm wide x 6mm thick. The floor protection must also project out in front of the unit 300mm x 1230mm wide with the unit positioned centered on the floor protection right and left and 50mm forward from the back edge.

Timber framing guide

Side Elevation

50mm rear wall clearance required from combustible materials

300mm clearance above & 100mm either side fireplace to combustible materials



Please Note - Light coloured wall paints may discolour over time due to heat darker colours are recommended if the fireplace wall is to be a painted finish

Timber framing guide

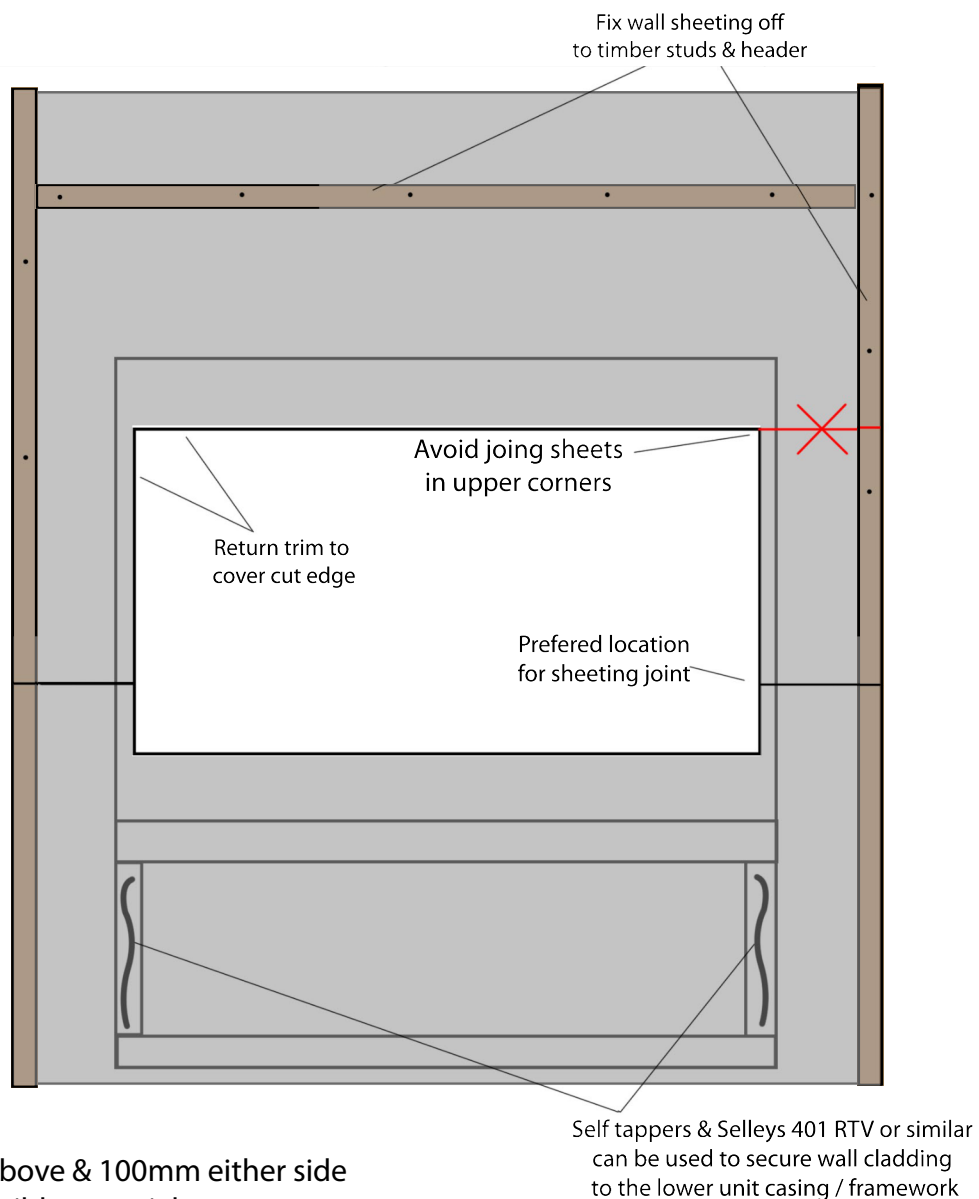
Wall finishing

Wall Cladding to be minimum 9mm CFC sheeting or similar non-combustible material.

DO NOT overlap the 6mm firebox. Only cover the zero clearance casing with finishing material and leave a 3-5mm gap to the firebox.

Do not exceed 12mm finishing material over the face of the zero clearance case as it will interrupt the normal use of the door handle.

For finishing materials exceeding a 12mm depth, use the optional 50mm surround as a shadow line and finish thicker materials outside of it. Tile edge (not provided) may be desired.



300mm clearance above & 100mm either side
fireplace to combustible materials

Please Note - Light coloured painted wall finishes
may discolour due to heat
darker colours recommended if a painted finished
is required.

Zero Clearance Casing Assembly

Included items



Base:

- Long Rails (1100mm) x 4
- Medium Rails (500mm) x 4
- Short Rails (375mm) x 4

Casing:

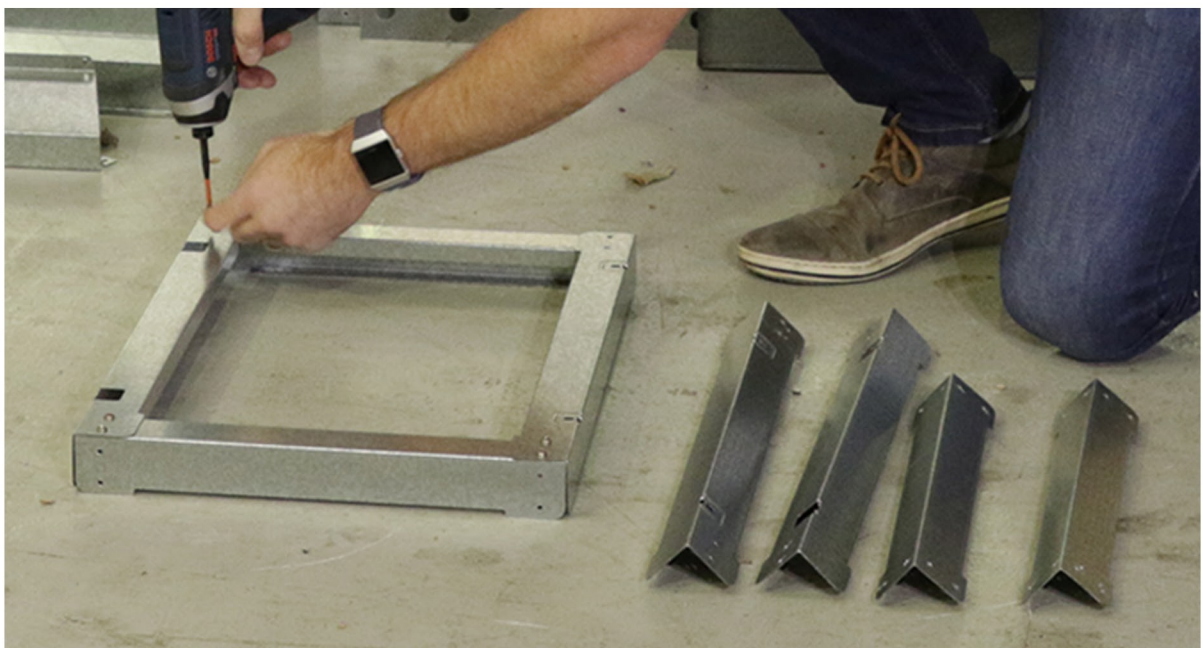
- Top Panel x 1
- Bottom Panel x 1
- Side Panels x 2
- Rear Panel x 1
- Center Support Bracing x 1
- Rear Stand-off Bracket x 1
- Firebox Support Brackets x 2

Zero Clearance Casing Assembly

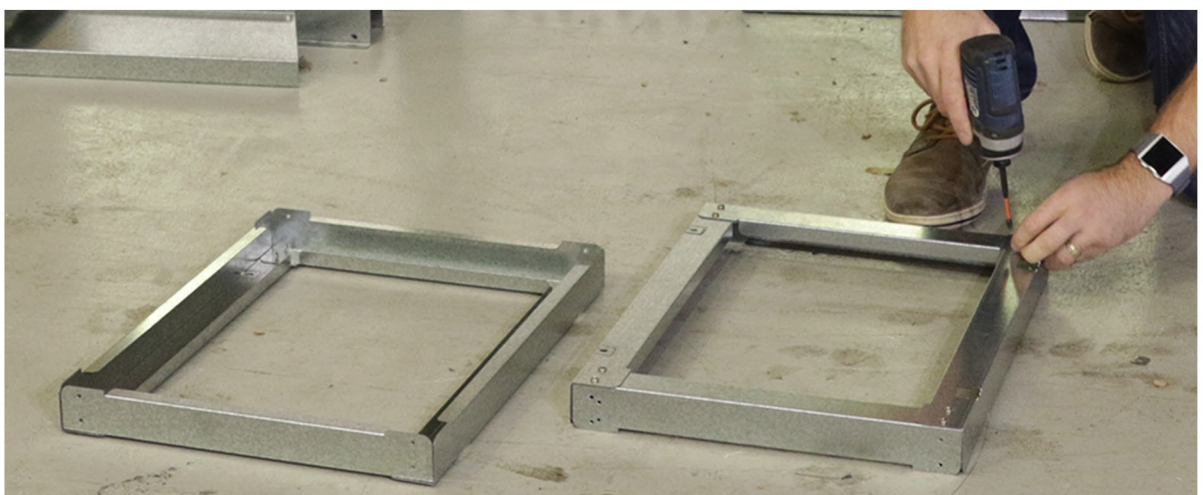
Constructing the base stand

Step 1.

Take 2 of the short rails (375mm) and 2 of the medium rails (500mm) align the holes and secure with self tapping screws to create an end frame. The medium length rails face the outside with the short rails being fixed to the back of the medium rails.



Once you have completed the first end frame, repeat the above steps to complete the final end panel.



Zero Clearance Casing Assembly

Constructing the base stand

Step 2.

In order to complete the base, join the long rails (1100mm) to each corner of the finished end frames, align the screw holes and fix with self tapping screws.



Once you have completed the top two rails, turn the frame over and repeat the process for the lower long rails to complete the base.



Zero Clearance Casing Assembly

Building on from base

Step 3.

Locate the base panel and secure the center support as well as both heater support rails to the base panel using self tapping screws. Secure base panel to base frame using self tapping screws



locate and secure the side panels to the base panels with self tapping screws ensuring the side panels are inside the base panel folds.

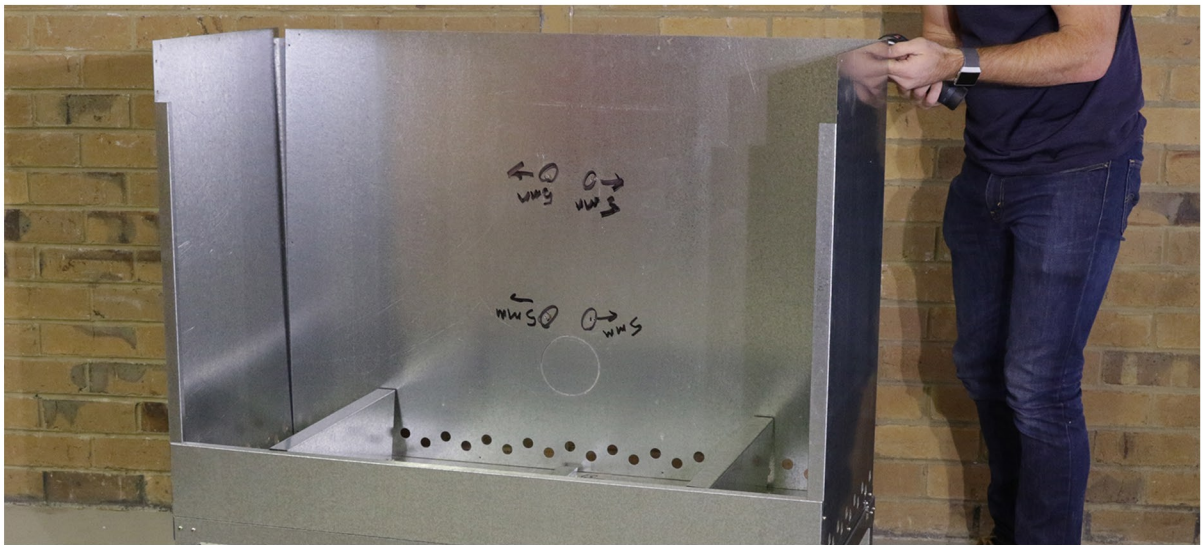


Zero Clearance Casing Assembly

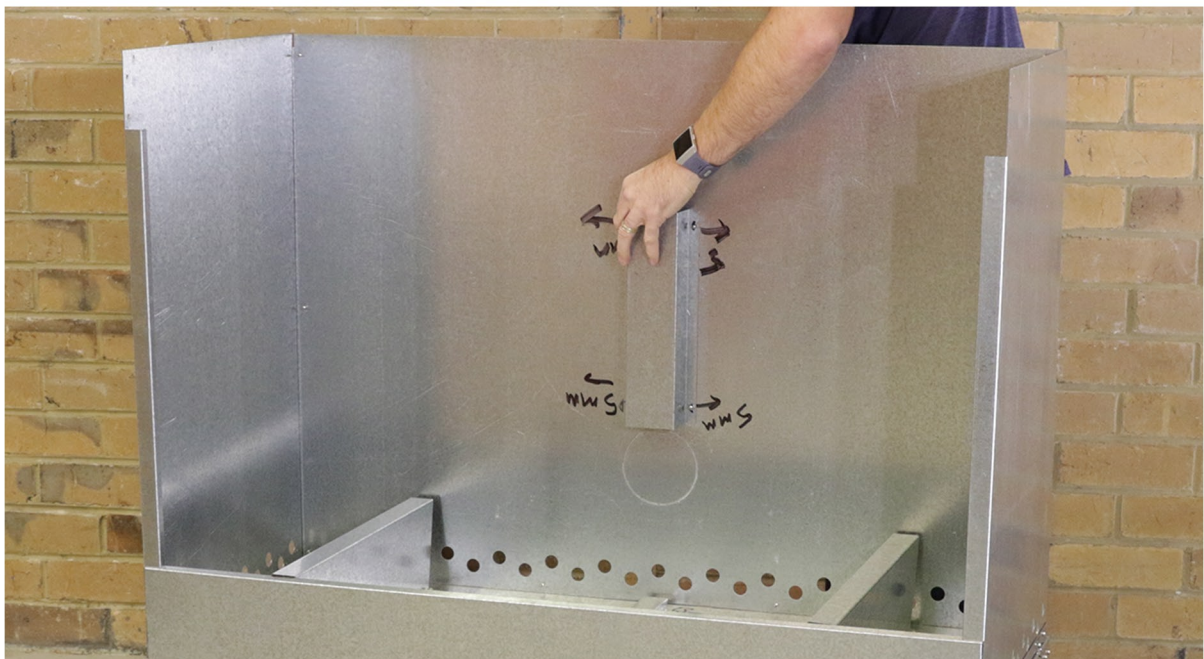
Building the casing

Step 4.

Slide the back panel into place, the back panel will sit inside the base panel fold and on the outside of the side panels. Once in place, secure loosely until the top panel has been fitted to allow for adjustment.



Secure rear wall spacer to the back panel in the pre-drilled holes



Zero Clearance Casing Assembly

Step 5.

Position top panel in place and align holes as required, tighten back panel screws then remove the top panel to be fitted off at a later stage once the firebox has been positioned inside the casing



Step 6.

There are several tabs located on the lower rails which secure the base to the casing to provide additional support, Fold tabs up 180 degrees and secure to the casing with self tapping screws.

Zero Clearance Casing Assembly

Inserting the firebox

Step 5.

Position the zero clearance assembly inside the wall cavity, once the casing is positioned check level and ensuring positioning is flush with the wall framing. Secure to the lower rails to the floor using appropriate fixing methods for the flooring material.

Before preparing to insert firebox into the zero clearance casing, please ensure both heat exchange vents are capped as pictured below (*pre-2021 units only*). Caps have been deleted on current series units.

Ensure both outlets are capped



Step 6.

Position the firebox inside the zero clearance casing, due to the weight of the firebox (220kg), it is highly recommended to remove as much weight as possible from the unit (bricks, baffle and glass door) and use mechanical lifting aids.

Leaving the top panel off allows for the use of mechanical lifting aids to help position the firebox inside the casing / wall cavity. Applying grease or similar to the lower support brackets will aid in sliding the firebox into the casing.



Zero Clearance Casing Assembly

Flue assembly

Step 7.

Once the firebox is positioned inside the zero clearance casing, fit the top panel on the casing and secure with self tapping screws.

Step 8.

The flue requires stand-off brackets which are included with the kit, position the standoff brackets as pictured below. The brackets are secured to the 10" flue pipe using self tapping screws or rivets. The 8" flue pipe and brackets pass through the casing and rest on the top of the firebox, The brackets will stand the 8" flue pipe off the top of the firebox.

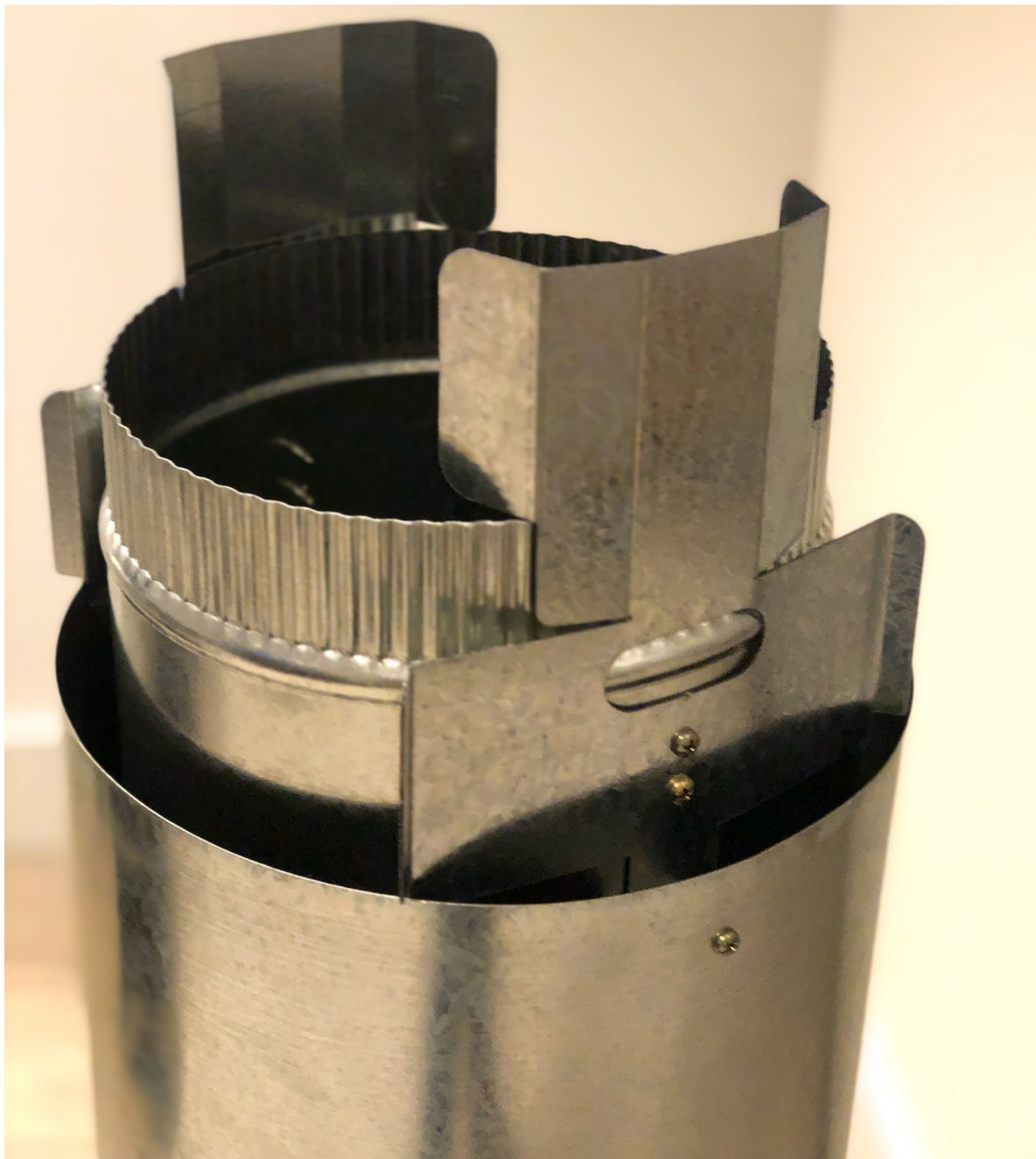


Zero Clearance Casing Assembly

Flue assembly

Step 9.

Position the 10" flue pipe over both the 8" flue pipe and brackets. The 10" flue pipe will rest on the second tier of stand-off brackets as pictured below. The 10" flue can be secured to the brackets using self tapping screws or rivets.



Zero Clearance Casing Assembly

Flue assembly

Step 10.

Once the 10" and 8" flues are secured together using self-tapping screws or rivets, position the flue pipes on top of the zero clearance casing and lower into position. The brackets will locate the flue correctly, the first step of the bracket will stand the flue off from the firebox. Using a suitable heat resistant sealant, seal the 8" flue pipe to the zero clearance casing as marked below in blue. The second step on the flue bracket will stand the 10" flue pipe off the zero clearance casing as shown below.

Second step in bracket
stands off 10" flue pipe



Use heat resistant sealant
to seal 8" flue pipe to casing

Zero Clearance Casing Assembly

Finishing the install

Step 11.

Once the flue has been positioned and sealed to the top of the zero clearance casing, lower the 6" Stainless flue pipe down inside the 8" flue pipe and seat fully on the top of the fireplace flue spigot. Continue to run the three layers of flue in accordance with AS/NZS 2918.2018.



Please Note - Fireplace pictured with optional heat transfer kit

Step 12.

Clad the fireplace wall using a suitable non-combustible rated cladding material (page 4 & 5 for specs).

DO NOT overlap the 6mm firebox. Only cover the zero clearance casing with finishing material and leave a 3-5mm gap to the firebox.

Note: Optional 50mm finishing surround available.

Surround fits to inner edge of 6mm outer firebox and suits facing material up to max 12mm. For finishing materials exceeding a 12mm depth, use the optional 50mm surround as a shadow line and finish thicker materials outside of it. Tile edge (not provided) may be desired.

NB: The glass front door is designed to finish in-line with the zero clearance case and not the finishing material