

MODEL: XLR-PLUS-AU, XLR-PLUS-AUB

• Installation Instructions •



Leave this manual with party responsible for use and operation.

CAUTION! Risk of Cuts or Abrasions. Wear protective gloves and safety glasses during installation.

CAUTION: Logs are fragile.

Kit Components:

- Log Burner Assembly
- Ceramic Logs (6)
- Lava Rock (1 bag)
- Instructions

INSTALLATION

Note: ULPG gas is only approved for appliances in Europe, Australia and New Zealand.

1. Remove fixed glass assembly by unlatching the top left and right spring latches. Allow the fixed glass assembly to tilt away from the fireplace and lift the fixed glass assembly up and out of the opening.
2. Remove the media tray by removing four screws located on the front and rear edges edge. See Figure 1.

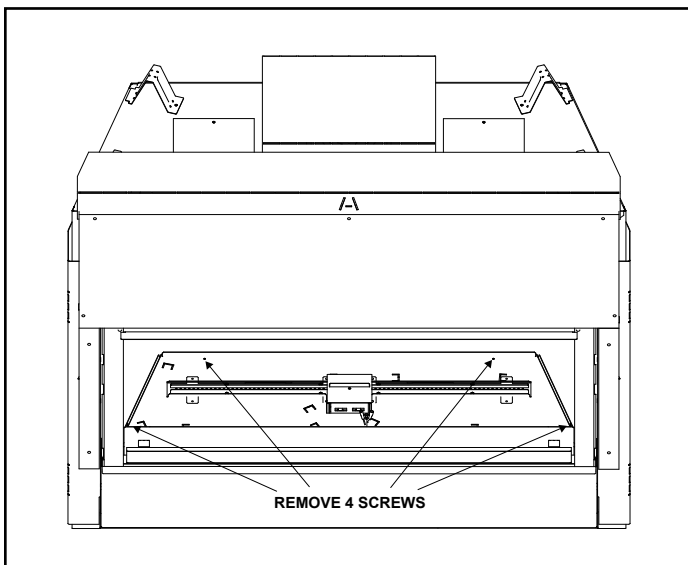


Figure 1. Remove Media Tray

3. Remove base pan by removing 4 screws. Remove burner assembly by removing two screws that secure the burner to the pilot assembly bracket. See Figure 2.

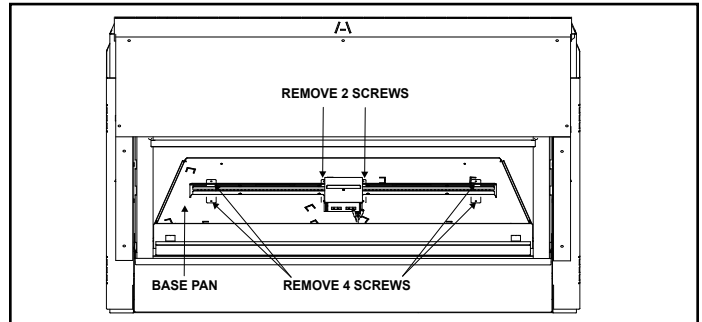


Figure 2. Base Pan and Burner Assembly Removal

4. Adjust shutter setting on new burner. See Table 1 or 2.

Table 2 - Shutter Settings: XLR-PLUS

	AU	NZ
NG	13 mm	13 mm
ULPG	Full Open	Full Open

5. Replace standard burner with log burner that is included with log kit by securing the burner to the pilot bracket with two screws. Re-install base pan with 4 screws.



Figure 4. Log Tabs

7. Locate log tabs in the media tray and bend them out to 90° angle. See Figures 4.
8. Reinstall media tray and secure with four screws.



Figure 5. Kit Components

9. Install right rear log #1. Locate log between two locating tabs. Ensure log fits tightly between the two locating tabs. See Figure 6.

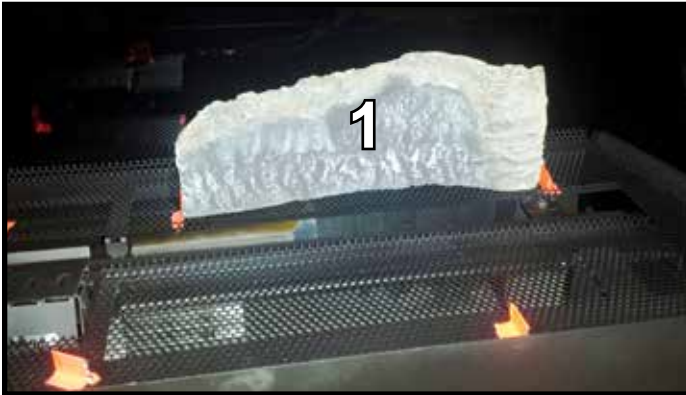


Figure 6. Log #1 (2111-700)

10. Install right front log #2. The front left side of log 2 should not extend past the locating tab. Front edge of log #2 should touch front edge of media tray. See Figure 7.



Figure 7. Log #2 (2111-702)

11. Install left rear log #3. Right side of log #3 should touch the locating tab. Keep left end of log #3 pushed back. See Figure 8.

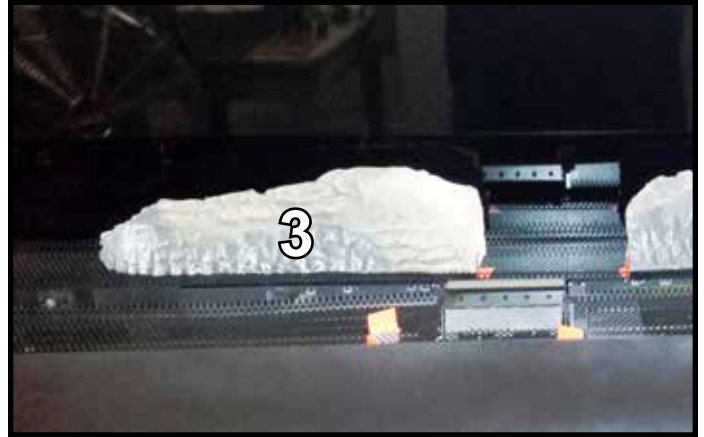


Figure 8. Log #3 (571-705)

12. Install front log #4. Right end of log should touch locating tab and the left side of log should rest upon log #3 and touch the locating tabs on the left. See Figure 9.

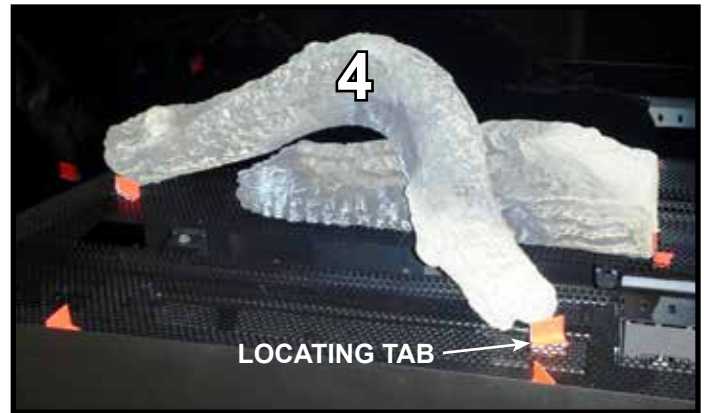


Figure 9. Log #4 (2081-172)

13. Install front log #5. Position log between two locating tabs and rest log on log #4. See Figure 10.

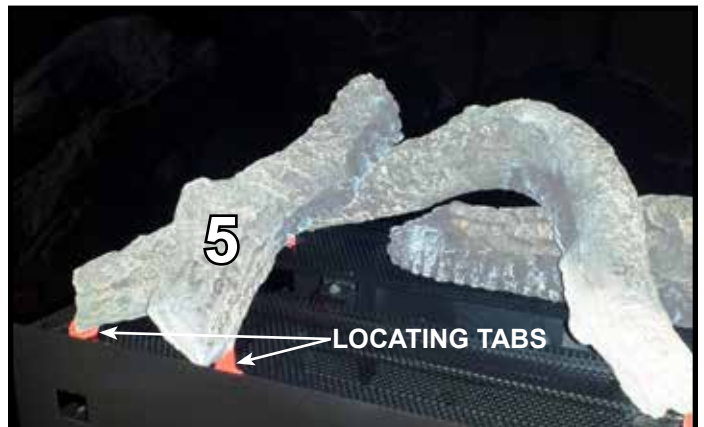


Figure 10. Log #5 (330-704)

14. Install center log #6. Place log between two locating tabs. Left and right legs of log will touch media tray. See Figure 11.



Figure 11. Log #3 (2111-701)

WARNING! Risk of Delayed Ignition! DO NOT place lava rock on burner assembly. Place only on top of media tray. Fireplace will not function properly. Delayed ignition may occur.

15. Install lava rock on top of media tray as shown in Figure 12. DO NOT install lava rock on the burner assembly or in a position where it may fall into the burner assembly area (see hatched area). DO NOT place lava rock behind rear logs.



Figure 12. Lava Rock (4021-296) No Lava Rock on Burner - See Hatched Area

Please contact your Hearth & Home Technologies dealer with any questions or concerns.
For the location of your nearest Hearth & Home Technologies dealer, please visit www.fireside.com.

Hearth & Home Technologies
7571 215th Street West, Lakeville, MN 55044
www.fireside.com