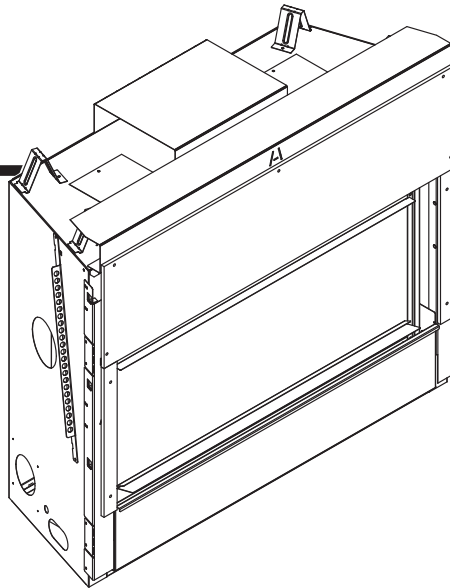


Model:
XLR-PLUS-N-AUB
XLR-PLUS-PB-AUB



SAI Global
Gas Safety
Certified

Ref No GSCS20194
AS/NZS 5263.1.3 ←

NOTICE



DO NOT DISCARD THIS MANUAL

- Important operating and maintenance instructions included.
- Read, understand and follow these instructions for safe installation and operation.
- Leave this manual with party responsible for use and operation.

**DO NOT
DISCARD**

⚠ WARNING:
FIRE OR EXPLOSION HAZARD
Failure to follow safety warnings exactly could result in serious injury, death, or property damage.

- **DO NOT** store or use gasoline or other flammable vapors and liquids in the vicinity of this or any other appliance.
- **What to do if you smell gas**
 - **DO NOT** try to light any appliance.
 - **DO NOT** touch any electrical switch. **DO NOT** use any phone in your building.
 - Leave the building immediately.
 - Immediately call your gas supplier from a neighbor's phone. Follow the gas supplier's instructions.
 - If you cannot reach your gas supplier, call the fire department.
- Installation and service must be performed by a qualified installer, service agency, or the gas supplier.

DANGER



**HOT GLASS WILL
CAUSE BURNS.**

**DO NOT TOUCH GLASS
UNTIL COOLED.**

**NEVER ALLOW CHILDREN
TO TOUCH GLASS.**

A barrier designed to reduce the risk of burns from the hot viewing glass is provided with this appliance and shall be installed for the protection of children and other at-risk individuals.

This is a room sealed appliance and no other ventilation is required than what is provided.

**NOTE: NOT INTENDED FOR
FIREPLACE INSERT.**

DO NOT PLACE ARTICLES ON OR AGAINST THIS APPLIANCE.
DO NOT USE OR STORE FLAMMABLE MATERIALS NEAR THIS APPLIANCE.
DO NOT SPRAY AEROSOLS IN THE VICINITY OF THIS APPLIANCE WHILE IT IS IN OPERATION.
DO NOT MODIFY THIS APPLIANCE.

HEAT & GLO™

No one builds a better fire

PLEASE READ THIS MANUAL BEFORE INSTALLING
AND USING THIS APPLIANCE.

**MODELS: XLR-PLUS-N-AUB,
XLR-PLUS-PB-AUB**

**ARE SAI GLOBAL APPROVED FOR
NATURAL GAS, PROPANE OR ULPG
AS A BALANCED FLUE HEATER.**

Refer to the appliance data plates for gas consumptions and pressures.

Installation of this appliance should only be carried out by an authorized person in accordance with the manufacturer's instructions. Appliance is to be installed in full compliance with the National Gas Installation Standard AS5601, the manufacturer's instructions, and any local authorities' requirements for gas, electrical and building regulations.

This appliance and its components are tested and safe when installed in accordance with this Installation Manual. Report to your dealer any parts damaged in shipment, specifically check glass condition. The gas logs and flue system components are in separate packages. Read all instructions before starting installation and

follow these instructions carefully during installation to ensure maximum benefit and safety. Failure to follow them will void your warranty and may present a fire hazard.

The Heat & Glo, a brand of Hearth & Home Technologies warranty will be voided by, and Heat & Glo, a brand of Hearth & Home Technologies disclaims any responsibility for the following actions:

- Installation of any damaged heater or flue system component
- Modification of the heater or balanced flue system installation other than as instructed by Heat & Glo, a brand of Hearth & Home Technologies.
- Improper positioning of the gas logs or the glass door
- Installation and/or use of any component part not manufactured or approved by Heat & Glo, brand of Hearth & Home Technologies, notwithstanding any independent testing laboratory or other party approval of such component part or accessory.

It is the responsibility of the professionals involved with the service and installation of the appliance to test the operation of the appliance before leaving the installation site.

IMPORTANT: Read all instructions carefully before starting installation. Failure to follow these installation instructions may result in a possible fire hazard and will void the warranty. Save this manual for future reference.

Heat & Glo, a brand of Hearth & Home Technologies
7571 215th Street West, Lakeville, MN 55044
Copyright 2017 • Printed in U.S.A.

Read this manual before installing or operating this appliance.
Please retain this owner's manual for future reference.

A. Congratulations

Congratulations on selecting a Heat & Glo gas fireplace, an elegant and clean alternative to wood burning fireplaces. The Heat & Glo gas fireplace you have selected is designed to provide the utmost in safety, reliability, and efficiency.

As the owner of a new fireplace, you'll want to read and carefully follow all of the instructions contained in this owner's manual. Pay special attention to all cautions and warnings.

This owner's manual should be retained for future reference. We suggest that you keep it with your other important documents and product manuals.

The information contained in this owner's manual, unless noted otherwise, applies to all models and gas control systems.

Your new Heat & Glo gas fireplace will give you years of durable use and trouble-free enjoyment. Welcome to the Heat & Glo family of fireplace products!

| | |
|--|---|
| Homeowner Reference Information | <i>We recommend that you record the following pertinent information about your fireplace.</i> |
| Model Name: _____ | Date purchased/installed: _____ |
| Serial Number: _____ | Location on fireplace: _____ |
| Dealership purchased from: _____ | Dealer Phone: _____ |
| Notes: _____ | |
| _____ | |

Listing Label Information/Location

The model information regarding your specific fireplace can be found on the rating plate usually located in the control area of the fireplace.

Type of Gas →

HEAT & GLO Heat & Glo, a brand of Hearth & Home Technologies
No one builds a better fire 7571 215th Street West, Lakeville, MN 55044

SAI Global Certification N°:

| | |
|--------------------------------------|--------------|
| Injector Size:..... | DMS (mm) |
| Gas Inlet Pressure:..... | kPa |
| Outlet (Manifold) Gas Pressure:..... | kPa |
| Turndown Outlet Gas Pressure:..... | N/A |
| Maximum Nominal Gas Consumption..... | MJ/h |
| Electrical Rating..... | 240V 50hz 1A |

This unit is designed to be recessed into framed construction.
TO BE INSTALLED ON WOOD FLOORING OR NON-COMBUSTIBLE FLOORING.
See installation manual for details.

Gas Type: _____

Model: _____

Serial: _____

MADE IN USA

xxxx-xxx

Model Number →

Serial Number →

SAMPLE

▲ Safety Alert Key:

- **DANGER!** Indicates a hazardous situation which, if not avoided will result in death or serious injury.
- **WARNING!** Indicates a hazardous situation which, if not avoided could result in death or serious injury.
- **CAUTION!** Indicates a hazardous situation which, if not avoided, could result in minor or moderate injury.
- **NOTICE:** Used to address practices not related to personal injury.

Table of Contents

| | |
|--|---|
| A. Congratulations | 3 |
| B. Limited Lifetime Warranty | 6 |

1 Listing and Code Approvals

| | |
|--|---|
| → A. Appliance Certification | 9 |
| B. Gas Pressure Requirements | 9 |
| C. High Altitude Installations | 9 |
| D. Non-Combustible Materials Specification | 9 |
| E. Combustible Materials Specification | 9 |
| F. Electrical Codes | 9 |

User Guide

2 Operating Instructions

| | |
|---|----|
| A. Gas Fireplace Safety | 10 |
| B. Your Fireplace | 10 |
| C. Clear Space | 11 |
| D. Decorative Doors and Fronts | 11 |
| E. Decorative Media Options | 11 |
| F. Fixed Glass Assembly | 11 |
| G. Remote Controls, Wall Controls and Wall Switches | 11 |
| H. IPI Battery Tray/Battery Installation | 11 |
| I. Before Lighting Fireplace | 11 |
| → I. Lighting Instructions (IPI) | 12 |
| J. Control Module Operation | 13 |
| K. After Fireplace is Lit | 14 |
| L. Frequently Asked Questions | 14 |

3 Maintenance and Service

| | |
|---|----|
| A. Maintenance Tasks-Homeowner | 15 |
| B. Maintenance Tasks-Qualified Service Technician | 16 |

4 Getting Started

Installer Guide

| | |
|---|----|
| A. Typical Appliance System | 17 |
| B. Design and Installation Considerations | 18 |
| C. Tools and Supplies Needed | 18 |
| D. Inspect Appliance and Components | 18 |

5 Framing and Clearances

| | |
|---|----|
| A. Selecting Appliance Location | 19 |
| B. Constructing the Appliance Chase | 20 |
| C. Clearances | 20 |
| D. Mantel and Wall Projections | 21 |

6 Termination Locations

| | |
|--|----|
| A. Vent Termination Minimum Clearances | 22 |
| → B. Chimney Diagram | 23 |

7 Vent Information and Diagrams

| | |
|----------------------------------|----|
| A. Approved Pipe | 24 |
| B. Vent Table Key | 24 |
| C. Use of Elbows | 24 |
| D. Measuring Standards | 24 |
| E. Vent Diagrams | 24 |

8 Vent Clearances and Framing

| | |
|--|----|
| A. Pipe Clearances to Combustibles | 31 |
| B. Wall Penetration Framing | 31 |
| C. Install the Ceiling Firestop | 32 |
| D. Install Attic Insulation Shield | 33 |

9 Appliance Preparation

| | |
|--|----|
| A. Top Vent | 34 |
| B. Securing and Leveling the Appliance | 35 |
| C. Installing the Optional Heat-Zone®-240V Kit | 35 |

10 Installing Vent Pipe (SLP Pipe)

| | |
|--|----|
| A. Assemble Vent Sections | 36 |
| B. Assemble Slip Sections | 37 |
| C. Secure The Vent Sections | 37 |
| D. Disassemble Vent Sections | 38 |
| E. Install Decorative Ceiling Components | 38 |
| F. Install Metal Roof Flashing | 39 |
| G. Assemble and Install Storm Collar | 39 |
| H. Install Vertical Termination Cap | 40 |
| I. Install Decorative Wall Components | 40 |
| J. Heat Shield Requirements for Horizontal Termination | 40 |
| K. Install Horizontal Termination Cap | 41 |

11 Gas Information

| | |
|--|----|
| A. Gas Pressure Requirements | 42 |
| B. Gas Connection | 42 |
| C. High Altitude Installations | 43 |

12 Electrical Information

| | |
|---|----|
| A. Wiring Requirements | 44 |
| B. IntelliFire™ Plus Ignition System Wiring | 44 |
| C. Optional Accessories Requirements | 44 |
| D. Junction Cord Information | 45 |
| E. Electrical Service and Repair | 45 |
| F. Blower | 45 |
| G. Control Module Operation | 46 |

13 Finishing

| | |
|---|----|
| A. Framing and Finishing Instructions | 53 |
| B. Mantel and Wall Projections | 56 |
| C. Facing Material | 57 |
| D. Decorative Fronts | 58 |

14 Appliance Setup

| | |
|--|----|
| A. Remove Fixed Glass Assembly | 60 |
| B. Remove the Shipping Materials | 60 |
| C. Clean the Appliance | 60 |
| D. Accessories | 60 |
| E. Fixed Glass Assembly | 60 |
| F. Air Shutter Setting | 61 |
| G. Media Options | 61 |
| H. Verify Performance of Appliance | 61 |

15 Troubleshooting

| | |
|--|----|
| A. IntelliFire™ Plus Ignition System | 62 |
|--|----|

16 Component Access

| | |
|--|----|
| A. Decorative Front and Fixed Glass Assembly Removal . . | 65 |
| B. Valve Pressure Taps | 65 |
| C. Control Module Access | 65 |
| D. Media Tray Removal | 65 |
| E. Burner and Base Pan Removal | 65 |
| F. Access Through the Valve Assembly | 66 |
| G. Gas Valve Replacement | 67 |
| H. Pilot Assembly Replacement | 67 |

17 Reference Materials

| | |
|--|----|
| A. Appliance Dimension Diagram | 68 |
| B. Maintenance Tasks | 69 |
| C. Vent Components Diagrams | 70 |
| D. Service Parts | 74 |
| E. Contact Information | 77 |

➔ = Contains updated information.

B. Limited Lifetime Warranty



No one builds a better fire

AUSTRALIAN WARRANTY INFORMATION

Warranty information in the attached manual is for international markets, not Australia. For Australian warranty information, please see below.

Hearth & Home Technologies (HHT)
7571 215th Street West, Lakeville, MN 55044
0011-1-651-345-1777
www.heatnglo.com

HHT extends the following manufacturer's warranty for HHT gas, wood, pellet, coal and electric hearth appliances that are purchased from an HHT authorized dealer.

HHT warrants to the original owner of the HHT appliance at the site of installation, and to any transferee taking ownership of the appliance at the site of installation within two years following the date of original purchase, that the HHT appliance will be free from defects in materials and workmanship at the time of manufacture.

After installation, if covered components manufactured by HHT are found to be defective in materials or workmanship during the applicable warranty period, HHT will, at its option, repair or replace the covered components. HHT, at its own discretion, may fully discharge all of its obligations under this manufacturer's warranty by replacing the product itself or refunding the verified purchase price of the product itself. The maximum amount recoverable under this warranty is limited to the purchase price of the product. This warranty is subject to conditions, exclusions and limitations as described below.

Warranty coverage begins on the date of original purchase. In the case of new home construction, coverage under this manufacturer's warranty begins on the date of first occupancy of the dwelling or six months after the sale of the product by an independent, authorized HHT dealer/ distributor, whichever occurs earlier. The warranty period for this manufacturer's warranty shall commence no later than 24 months following the date of product shipment from HHT, regardless of the installation or occupancy date. The manufacturer's warranty period for parts and labour for covered components is produced in the following table.

The term "Limited Lifetime" in the table below is defined as: 20 years from the beginning date of warranty coverage for gas appliances, and 10 years from the beginning date of warranty coverage for wood, pellet and coal appliances. These time periods reflect the minimum expected useful lives of the designated components under normal operating conditions.

| Warranty Period | | Heat & Glo Manufactured Appliances and Venting | | | | | | | Components Covered |
|-----------------|-------|--|------|--------|----------|------|----------|---------|---|
| Parts | Labor | Gas | Wood | Pellet | EPA Wood | Coal | Electric | Venting | |
| 1 Year | | X | X | X | X | X | X | X | All Parts and Material Except as covered by Conditions, Exclusion, and Limitations listed |
| 2 years | | | | X | X | X | | | Igniters, Electronic Components, and Glass |
| | | X | X | X | X | X | | | Factory-installed blowers |
| | | | X | | | | | | Molded refractory panels |
| 3 years | | | | X | | | | | Firepots and burnpots |

| Warranty Period | | Heat & Glo Manufactured Appliances and Venting | | | | | | | Components Covered |
|------------------|---------|--|------|--------|----------|------|----------|---------|--|
| Parts | Labor | Gas | Wood | Pellet | EPA Wood | Coal | Electric | Venting | |
| 5 years | 1 years | | | X | X | | | | Castings & baffles |
| 7 years | 3 years | | X | X | X | | | | Manifold tubs HEAT & GLO chimney and termination |
| 10 years | 1 year | X | | | | | | | Burners, logs and refractory |
| Limited Lifetime | 3 year | X | X | X | X | X | | | Firebox and heat exchanger |
| 90 Days | | X | X | X | X | X | X | X | All Replacement Parts beyond warranty period |

OTHER RIGHTS

The HHT manufacturer's warranty is in addition to other rights and remedies that you may have under Australian law.

Our goods come with guarantees that cannot be excluded under the Australian Consumer Law. You are entitled to a replacement or refund for a major failure and for compensation for any other reasonably foreseeable loss or damage. You are also entitled to have the goods repaired or replaced if the goods fail to be of acceptable quality and the failure does not amount to a major failure.

WARRANTY CONDITIONS AND EXCLUSIONS:

- The HHT manufacturer's warranty only covers HHT appliances that are purchased through an HHT authorized dealer or distributor. A list of HHT authorized dealers is available on the HHT branded websites.
- This warranty is only valid while the HHT appliance remains at the site of original installation.

WARRANTY EXCLUSIONS:

This HHT manufacturer's warranty does not cover the following:

- Changes in surface finishes as a result of normal use. As a heating appliance, some changes in color of interior and exterior surface finishes may occur. This is not a flaw and is not covered under warranty.
- Damage to printed, plated, or enamelled surfaces caused by fingerprints, accidents, misuse, scratches, melted items, or other external sources and residues left on the plated surfaces from the use of abrasive cleaners or polishes.
- Repair or replacement of parts that are subject to normal wear and tear during the warranty period. These parts include: paint, wood, pellet and coal gaskets, firebricks, grates, flame guides, light bulbs, batteries and the discoloration of glass.
- Expansion, contraction, or movement of certain parts causing noise. These conditions are normal and complaints related to this noise are not covered by this warranty.
- Damages resulting from: (1) failure to install, operate, or maintain the appliance in accordance with the installation instructions, operating instructions, and listing agent identification label furnished with the appliance; (2) failure to install the appliance in accordance with local building codes; (3) shipping or improper handling; (4) improper operation, abuse, misuse, continued operation with damaged, corroded or failed components, accident, or improperly/incorrectly performed repairs; (5) environmental conditions, inadequate ventilation, negative pressure, or drafting caused by tightly sealed constructions, insufficient make-up air supply, or handling devices such as exhaust fans or forced air furnaces or other such causes; (6) use of fuels other than those specified in the operating instructions; (7) installation or use of components not supplied with the appliance or any other components not expressly authorized and approved by HHT (8) modification of the appliance not expressly authorized and approved by HHT in writing; and/or (9) interruptions or fluctuations of electrical power supply to the appliance.

- Non Heat & Glo venting components, hearth components or other accessories used in conjunction with the appliance.
- Any part of a pre-existing fireplace system in which an insert or a decorative gas appliance is installed.
- Removal, installation, reinstallation, set up or any other costs associated with a claim including travel and shipping charges for parts
- HHT's obligation under this warranty does not extend to the appliance's capability to heat the desired space. Information is provided to assist the consumer and the dealer in selecting the proper appliance for the application. Consideration must be given to appliance location and configuration, environmental conditions, insulation and air tightness of the structure.

This warranty is void if:

- The appliance has been over-fired or operated in atmospheres contaminated by chlorine, fluorine, or other damaging chemicals. Over-firing can be identified by, but not limited to, warped plates or tubes, rust colored cast iron, bubbling, cracking and discoloration of steel or enamel finishes.
- The appliance is subjected to prolonged periods of dampness or condensation.

There is any damage to the appliance or other components due to water or weather damage which is the result of, but not limited to, improper chimney or venting installation.

HOW TO CLAIM

- To make a claim against this warranty, contact your local distributor during regular business hours. See addresses below for a dealer nearest you. (Vic) Pty Ltd ACN 005 872 159 (Jetmaster).
- Additional service fees may apply if you are seeking warranty service from a dealer other than the dealer from whom you originally purchased the product.
- Check with Jetmaster in advance for any costs to you when arranging a warranty call. Travel and shipping charges for parts are not covered by this manufacturers' warranty.
- HHT and Jetmaster will assess your claim. HHT or Jetmaster may need to inspect the product as part of the assessment of your claim. If the product requires inspection, HHT or Jetmaster will discuss with you the best way for this to occur.
- To make a claim under this manufacturer's warranty, you must be able to prove when you purchased the product. The easiest way to do this is through your original proof of purchase, for example your invoice or receipt. However, if you do not have your original proof of purchase HHT or Jetmaster may accept other evidence of the date of purchase.

Melbourne

Jetmaster
444 Swan Street
Richmond 3121
(03) 9429-5573

Perth

Fireplace Corner
277 Lord Street
East Perth 6000
(08) 9228-2600

Sydney

Jetmaster
55 Marickville Rd.
Marickville 2204
(02) 9505-8505

1 Listing and Code Approvals

A. Appliance Certification

MODELS: XLR-PLUS-N-AUB, XLR-PLUS-PB-AUB

LABORATORY: SAI GLOBAL / VIPAC

TYPE: Gas Space Heating Appliance

STANDARD: AS/NZS 5263.1.3

The Heat & Glo gas appliances discussed in this Installer's Guide have been tested to certification standards and listed by the applicable laboratories.

This appliance must be installed in accordance with the rules in force.

B. Gas Pressure Requirements

Pressure requirements for XLR-PLUS-AUB fireplaces are shown in table below.

Two taps are provided on the right hand side of the gas control for a test gauge connection to measure the inlet and outlet pressures.

The fireplace and its individual shut-off valve must be disconnected from the gas supply piping system during any pressure testing of the system at test pressures in excess of 3.4 kPa.

If the fireplace must be isolated from the gas supply piping system by closing an individual shut-off valve, it must be of the handle-less type.

| | Natural Gas | Propane | ULPG |
|----------------------------------|------------------------|------------------------|------------------------|
| Inlet Gas Pressure | 1.13 - 3.40 kPa | 2.75 - 3.40 kPa | 2.75 - 3.40 kPa |
| * Outlet (Manifold) Gas Pressure | .80 kPa | 2.36 kPa | 2.36 kPa |
| Gas Rate | .405 m ³ /h | .134 m ³ /h | .111 m ³ /h |
| Maximum Gas Consumption | 26 MJ/h | 25 MJ/h | 21 MJ/h |
| Burner Injector | DMS 42 (2.37 mm) | DMS .057 (1.450 mm) | DMS 55 (1.30) |
| Pilot Injector | Ø .023 (.584 mm) | Ø .014 (.356 mm) | Ø .014 (.356 mm) |

* The allowable Outlet (Manifold) Gas Pressure ranges are: Natural Gas .80 - .95 kPa and Propane/ULPG 2.37 - 2.61 kPa.

Columns highlighted in gray = The gas control valve supplied with this product is approved for a maximum inlet pressure of **3.40 kPa**. For pressures over **3.40 kPa**, an in line pressure regulator must be installed upstream from the gas control valve.

C. High Altitude Installations

NOTICE: If the heating value of the gas has been reduced, these rules do not apply. Check with your local gas utility or authorities having jurisdiction.

When installing above 2000 ft. (610 m) elevation:

Reduce input rate 4% for each 1000 ft. (305 m) above 2000 ft. (610 m).

D. Non-Combustible Materials Specification

Material which will not ignite and burn. Such materials are those consisting entirely of steel, iron, brick, tile, concrete, slate, glass or plasters, or any combination thereof.

Materials that are reported as passing **ASTM E 136, Standard Test Method for Behavior of Materials in a Vertical Tube Furnace at 750 °C (1382 °F)** shall be considered non-combustible materials.

E. Combustible Materials Specification

Materials made of or surfaced with wood, compressed paper, plant fibers, plastics, or other material that can ignite and burn, whether flame proofed or not, or plastered or unplastered shall be considered combustible materials.

F. Electrical Codes

All electrical safety testing has been done following the EN 60335-2-102 standard. Local codes apply.

A. Gas Fireplace Safety

⚠ WARNING



HOT SURFACES!

Glass and other surfaces are hot during operation AND cool down.

Hot glass will cause burns.

- **DO NOT** touch glass until it is cooled
- **NEVER** allow children to touch glass

- Keep children away
- **CAREFULLY SUPERVISE** children in same room as fireplace.

Alert children and adults to hazards of high temperatures.

High temperatures may ignite clothing or other flammable materials.

- Keep clothing, furniture, draperies and other flammable materials away.

This appliance has been supplied with an integral barrier to prevent direct contact with the fixed glass panel. DO NOT operate the appliance with the barrier removed.

Contact your dealer or Hearth & Home Technologies if the barrier is not present or help is needed to properly install one.

WARNING! Choking Hazard! Keep glass rock media out of reach of children.

If you expect that small children or vulnerable adults may come into contact with this fireplace, the following precautions are recommended:

- Install a physical barrier such as:
 - A decorative firescreen.
 - Adjustable safety gate.
- Install a switch lock or a wall/remote control with child protection lockout feature.
- Keep remote controls out of reach of children.
- Never leave children alone near a hot fireplace, whether operating or cooling down.
- Teach children to **NEVER** touch the fireplace.
- Consider not using the fireplace when children will be present.

Contact your dealer for more information, or visit: www.hpba.org/safety-information.

To prevent unintended operation when not using your fireplace for an extended period of time (summer months, vacations, trips, etc):

- Remove batteries from remote controls.
- Turn off wall controls.
- Unplug 6 volt adapter plug and remove batteries on IPI models.

B. Your Fireplace

WARNING! DO NOT operate fireplace before reading and understanding operating instructions. Failure to operate fireplace according to operating instructions could cause fire or injury.

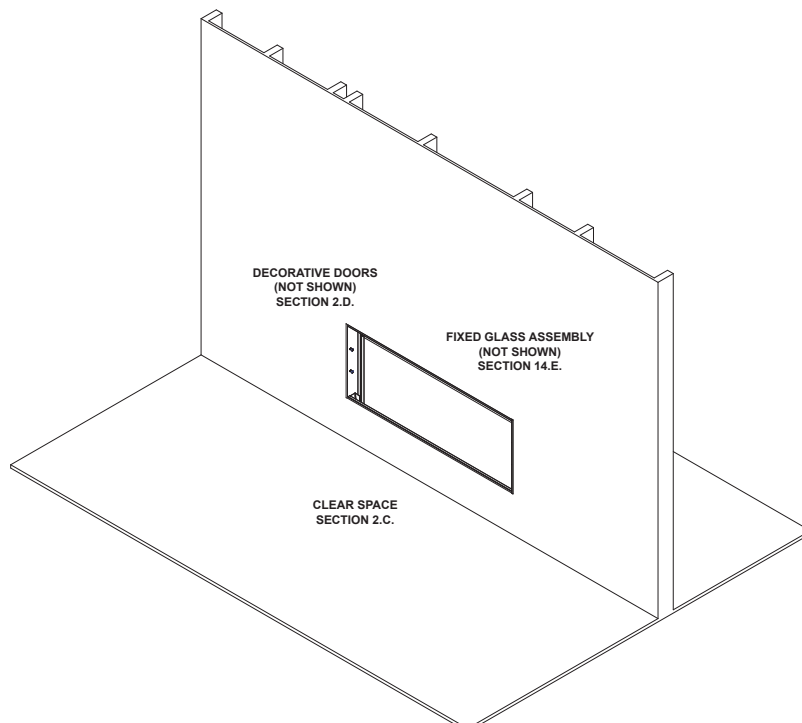


Figure 2.1 General Operating Parts

C. Clear Space

WARNING! DO NOT place combustible objects in front of the fireplace or block louvers. High temperatures may start a fire. See Figure 2.2.

Avoid placing candles and other heat-sensitive objects on mantel or hearth. Heat may damage these objects.

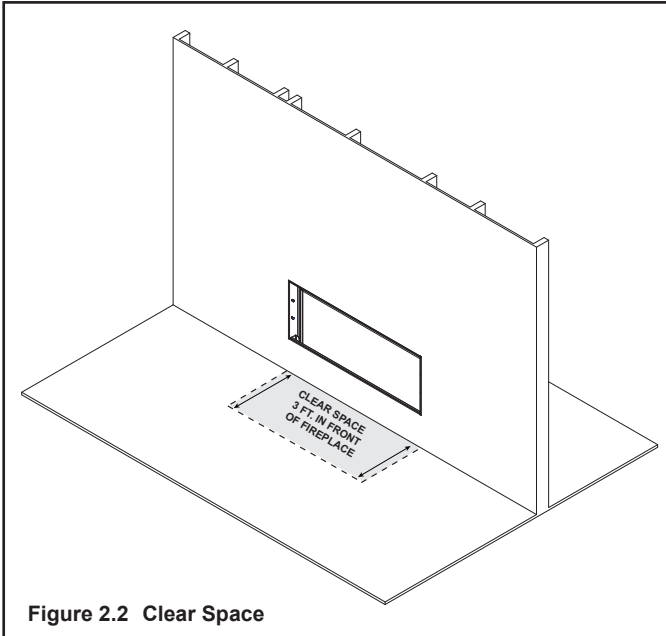


Figure 2.2 Clear Space

D. Decorative Doors and Fronts

WARNING! Risk of Fire! Install **ONLY** doors or fronts approved by Hearth & Home Technologies. Unapproved doors or fronts may cause fireplace to overheat.

This decorative front has been supplied with an integral barrier to prevent direct contact with the fixed glass panel. DO NOT operate the fireplace with the barrier removed.

Contact your dealer or Hearth & Home Technologies if the barrier is not present or help is needed to properly install one.

For more information refer to the instructions supplied with your decorative door or front.

E. Decorative Media Options

This appliance ships standard without a decorative media option. For installation and removal of these decorative media options, refer to installation instructions which ship with the media options.

F. Fixed Glass Assembly

See Section 14.E.

G. Remote Controls, Wall Controls and Wall Switches

Follow the instructions supplied with the control installed to operate your fireplace:

For safety:

- Install a switch lock or a wall/remote control with child protection lockout feature.
- Keep remote controls out of reach of children.

See your dealer if you have questions.

H. IPI Battery Tray/Battery Installation

The IntelliFire™ Plus system has a battery backup option. Battery longevity and performance will be affected by the service temperatures of this appliance.

NOTICE: Batteries should only be used as a power source in the event of an emergency such as an outage.

I. Before Lighting Fireplace

Before operating this fireplace for the first time, **have a qualified service technician:**

- Verify all shipping materials have been removed from inside and/or underneath the firebox.
- Verify that rock media tray is securely fastened to the base pan.
- Check the wiring.
- Check the air shutter adjustment.
- Ensure that there are no gas leaks.
- Ensure that the glass is sealed and in the proper position and that the integral barrier is in place.

WARNING! Risk of Fire or Asphyxiation! DO NOT operate fireplace with fixed glass assembly removed.

→ I. Lighting Instructions (IPI)

The IPI system may be operated with four C-cell batteries. When using batteries, unplug the transformer. To prolong battery life, remove them when using the transformer.

FOR YOUR SAFETY READ BEFORE LIGHTING



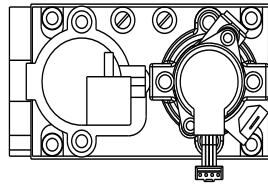
WARNING: If you do not follow these instructions exactly, a fire or explosion may result causing property damage, personal injury or loss of life.

- A. This appliance is equipped with an intermittent pilot ignition (IPI) device which automatically lights the burner. **DO NOT** try to light the burner by hand.
 - B. **BEFORE LIGHTING**, smell all around the appliance area for gas. Be sure to smell next to the floor because some gas is heavier than air and will settle on the floor.
- WHAT TO DO IF YOU SMELL GAS**
- **DO NOT** try to light any appliance.
 - **DO NOT** touch any electric switch; do not use any phone in your building.
 - Immediately call your gas supplier from a neighbor's phone. Follow the gas supplier's instructions.
 - If you cannot reach your gas supplier, call the fire department.
- C. Use only your hand to push in or turn the gas control knob. Never use tools. If the knob will not push in or turn by hand, **DO NOT** try to repair it, call a qualified service technician. Force or attempted repair may result in a fire or explosion.
 - D. **DO NOT** use this appliance if any part has been under water. Immediately call a qualified service technician to inspect the appliance and to replace any part of the control system and any gas control which has been under water.

LIGHTING INSTRUCTIONS (IPI)

1. This appliance is equipped with an ignition device which automatically lights the burner. **DO NOT** try to light the burner by hand.
2. Wait five (5) minutes to clear out any gas. Then smell for gas, including near the floor. If you smell gas, **STOP!** Follow "B" in the Safety Information located on the top of this label. If you do not smell gas, go to next step.
3. To light the burner:
Equipped with wall switch: Turn ON/OFF switch to ON.
Equipped with remote or wall control: Press ON or FLAME button.
Equipped with thermostat: Set temperature to desired setting.
4. If the appliance does not light after three tries, call your service technician or gas supplier.

**GAS
VALVE**



TO TURN OFF GAS TO APPLIANCE

1. Equipped with wall switch: Turn ON/OFF switch to OFF.
Equipped with remote or wall control: Press OFF button.
Equipped with thermostat: Set temperature to lowest setting.
2. Service technician should turn off electric power to the control when performing service.



DANGER



**HOT GLASS WILL CAUSE BURNS.
DO NOT TOUCH GLASS UNTIL COOLED.
NEVER ALLOW CHILDREN TO TOUCH GLASS.**

A barrier designed to reduce the risk of burns from the hot viewing glass is provided with this appliance and shall be installed for the protection of children and other at-risk individuals.

WARNING:

DO NOT CONNECT LINE VOLTAGE (110/120 VAC OR 220/240 VAC) TO THE CONTROL VALVE.

Improper installation, adjustment, alteration, service or maintenance can cause injury or property damage. Refer to the owner's information manual provided with this appliance. For assistance or additional information, consult a qualified installer, service agency or the gas supplier.

This appliance needs fresh air for safe operation and must be installed so there are provisions for adequate combustion and ventilation air.

If not installed, operated, and maintained in accordance with the manufacturer's instructions, this product could expose you to substances in fuel or fuel combustion which are known to the State of California to cause cancer, birth defects, or other reproductive harm.

Keep burner and control compartment clean. See installation and operating instructions accompanying appliance.

CAUTION:

Hot while in operation. **DO NOT** touch. Keep children, clothing, furniture, gasoline and other liquids having flammable vapors away.

DO NOT operate the appliance with fixed glass assembly removed, cracked or broken. Replacement of the fixed glass assembly should be done by a licensed or qualified service person.

NOT FOR USE WITH SOLID FUEL

For use with natural gas and propane. A conversion kit, as supplied by the manufacturer, shall be used to convert this appliance to the alternate fuel.

Also Certified for Installation in a Bedroom or a Bedsitting Room.

This appliance must be installed in accordance with local codes, if any; if none, follow the *National Fuel Gas Code, ANSI Z223.1/NFPA 54*, or the *National Gas and Propane Installation code, CSA B149.1*.

For additional information on operating your

Hearth & Home Technologies fireplace, please refer to www.fireplaces.com.

593-913i

J. Control Module Operation

1. The control module has an ON/OFF/REMOTE selector switch that must be set.

OFF Position: Appliance will ignore all power inputs and will not respond to any commands from a wall switch or optional remote. The unit should be in the OFF position during installation, service, fuel conversion, and in the event that the control goes into LOCK-OUT mode as a result of an error code.

ON Position: Appliance will ignite and run continuously in the HI flame setting, with no adjustment in flame output. This mode of operation is primarily used for initial installation and inspection.

REMOTE Position: Appliance will initiate commands from a wired wall switch and/or one of the optional wireless remote options.

2. A wall switch can be wired into the control module brown and red wires. See Figure 12.1.
3. The control module has safety feature that automatically shuts down the fireplace after 9 hours of continuous operation without receiving a command from the wall switch or optional remote.
4. If you intend to use both a wired wall switch and an optional remote control to operate your fireplace, the wall switch will override any commands given by the remote.

Nine Hour Safety Shutdown Feature

This appliance has a safety feature that automatically shuts down the fireplace after 9 hours of continuous operation without receiving a command from the wall switch or optional remote.

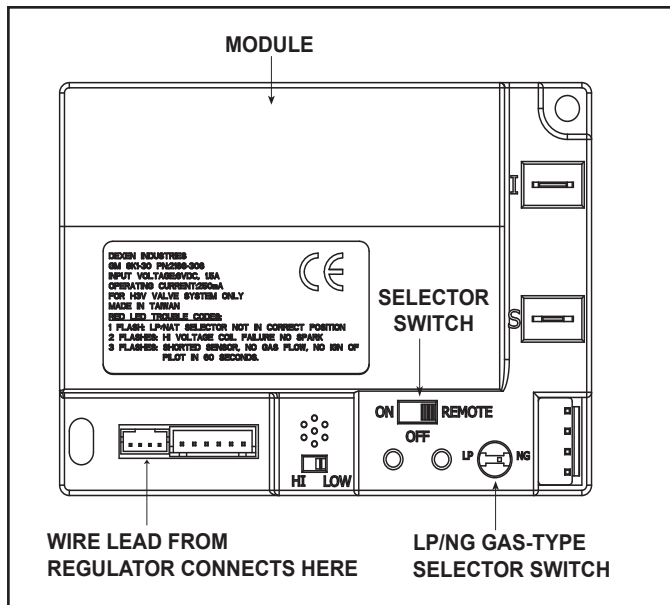


Figure 2.3 Control Module

Note: The HI/LO and LP/NG switches on the control module are non-functional on the XLR-PLUS-AUB fireplace.

K. After Fireplace is Lit

Initial Break-in Procedure

- The fireplace should be run three to four hours continuously on high.
- Turn the fireplace off and allow it to completely cool.
- Remove fixed glass assembly. See Section 14.E.
- Clean fixed glass assembly. See Section 3.A.
- Replace the fixed glass assembly and run continuously on high an additional 12 hours.

This cures the materials used to manufacture the fireplace.

NOTICE! Open windows for air circulation during fireplace break-in.

- *Some people may be sensitive to smoke and odors.*
- *Smoke detectors may activate.*

L. Frequently Asked Questions

| ISSUE | SOLUTIONS |
|--|---|
| Condensation on the glass | This is a result of gas combustion and temperature variations. As the fireplace warms, this condensation will disappear. |
| Blue flames | This is a result of normal operation and the flames will begin to yellow as the fireplace is allowed to burn for 20 to 40 minutes. |
| Odor from fireplace | When first operated, this fireplace may release an odor for the first several hours. This is caused by the curing of materials from manufacturing. Odor may also be released from finishing materials and adhesives used near the fireplace. These circumstances may require additional curing related to the installation environment. |
| Film on the glass | This is a normal result of the curing process of the paint. Glass should be cleaned within 3 to 4 hours of initial burning. A non-abrasive cleaner such as gas appliance glass cleaner may be necessary. See your dealer. |
| Metallic noise | Noise is caused by metal expanding and contracting as it heats up and cools down, similar to the sound produced by a furnace or heating duct. This noise does not affect the operation or longevity of the fireplace. |
| Wall above appliance feels hot to the touch. | No action necessary. This appliance ships with a non-combustible material attached. Specifications of the attached non-combustible material are listed in Section 1.E. |
| Glass rock media changes color or luster | This is the normal response to prolonged heat exposure. The glass rock media may lose some of its luster over time. See your dealer for replacement media. |

3 Maintenance and Service

Any safety screen or guard removed for servicing must be replaced prior to operating the fireplace.

When properly maintained, your fireplace will give you many years of trouble-free service. We recommend annual service by a qualified service technician.

All parts listed in this manual may be ordered from an authorized dealer. A list of available service parts is located in Section 17.C of this manual and in the installation instructions included in decorative media.

A. Maintenance Tasks-Homeowner

Installation and repair should be done by a qualified service technician only. The fireplace should be inspected before use and at least annually by a professional service person.

The following tasks may be performed annually by the homeowner. If you are uncomfortable performing any of the listed tasks, please call your dealer for a service appointment.

CAUTION! Risk of Burns! The fireplace should be turned off and cooled before servicing.

Glass Cleaning

Frequency: Seasonally

By: Homeowner

Tools Needed: Protective gloves, glass cleaner, drop cloth and a stable work surface.

CAUTION! Handle fixed glass assembly with care. Glass is breakable.

- Avoid striking, scratching or slamming glass
- Avoid abrasive cleaners
- **DO NOT** clean glass while it is hot
- Prepare a work area large enough to accommodate fixed glass assembly and door frame by placing a drop cloth on a flat, stable surface.

Note: Fixed glass assembly and gasketing may have residue that can stain carpeting or floor surfaces.

- Remove door or decorative front from fireplace and set aside on work surface.
- See Section 14.E for instructions to remove fixed glass assembly.
- Clean glass with a non-abrasive commercially available cleaner.
 - Light deposits: Use a soft cloth with soap and water
 - Heavy deposits: Use commercial fireplace glass cleaner (consult with your dealer)
- Reinstall door or decorative front.

Decorative Doors

Frequency: Annually

By: Homeowner

Tools needed: Protective gloves, stable work surface

- Refer to the installation instructions which ship with the decorative door.
- Assess condition of screen and replace as necessary.
- Inspect for scratches, dents or other damage and repair as necessary.
- Check that louvers are not blocked.
- Vacuum and dust surfaces.

Venting

Frequency: Seasonally

By: Homeowner

Tools needed: Protective gloves and safety glasses.

- Inspect venting and termination cap for blockage or obstruction such plants, bird nests, leaves, snow, debris, etc.
- Verify termination cap clearance to subsequent construction (building additions, decks, fences, or sheds). See Section 6.
- Inspect for corrosion or separation.
- Verify weather stripping, sealing and flashing remains intact.
- Inspect draft shield to verify it is not damaged or missing.

Remote Control

Frequency: Seasonally

By: Homeowner

Tools needed: Replacement batteries and remote control instructions.

- Locate remote control transmitter and receiver.
- Verify operation of remote. Refer to remote control operation instructions for proper calibration and setup procedure.
- Place batteries as needed in remote transmitters and battery-powered receivers.
- Place remote control out of reach of children.

If not using your fireplace for an extended period of time (summer months, vacations/trips, etc), to prevent unintended operation:

- Remove batteries from remote controls.
- Unplug 6 volt adapter plug on IPI models.

Decorative Media Options

Frequency: Maintenance is not required

By: Homeowner

Tools needed: Protective gloves and safety glasses.

- The decorative media options DO NOT require routine maintenance if they are properly installed. Refer to the installation instructions which ship the decorative media to verify correct installation.

B. Maintenance Tasks-Qualified Service Technician

The following tasks must be performed by a qualified service technician.

Gasket Seal and Glass Assembly Inspection

Frequency: Annually

By: Qualified Service Technician

Tools needed: Protective gloves, drop cloth and a stable work surface.

- Inspect gasket seal and its condition.
- Inspect fixed glass assembly for scratches and nicks that can lead to breakage when exposed to heat.
- Confirm there is no damage to glass or glass frame. Replace as necessary.
- Verify that fixed glass assembly is properly retained and attachment components are intact and not damaged. Replace as necessary.

Firebox

Frequency: Annually

By: Qualified Service Technician

Tools needed: Protective gloves, sandpaper, steel wool, cloths, mineral spirits, primer and touch-up paint.

- Inspect for paint condition, warped surfaces, corrosion or perforation. Sand and repaint as necessary.
- Replace fireplace if firebox has been perforated.

Control Compartment and Firebox Top

Frequency: Annually

By: Qualified Service Technician

Tools needed: Protective gloves, vacuum cleaner, dust cloths

- Vacuum and wipe out dust, cobwebs, debris or pet hair. Use caution when cleaning these areas. Screw tips that have penetrated the sheet metal are sharp and should be avoided.
- Remove all foreign objects.
- Verify unobstructed air circulation.

Gas Pressure Information

Frequency: Upon initial installation and gas valve replacement or service.

By: Qualified Service Technician

Tools needed: Protective gloves, manometer, flashlight, screw driver set.

- Gas pressure taps are accessible by removing the decorative front and fixed glass assembly. Refer to Section 11.A for information related to the gas valve and gas pressure settings.

Burner Ignition and Operation

Frequency: Annually

By: Qualified Service Technician

Tools needed: Protective gloves, vacuum cleaner, whisk broom, flashlight, voltmeter, indexed drill bit set, and a manometer.

- Verify burner is properly secured and aligned with pilot or igniter.
- Clean off burner top, inspect for plugged ports, corrosion or deterioration. Replace burner if necessary.
- Check for smooth lighting and ignition carryover to all ports. Verify that there is no ignition delay.
- Inspect for lifting or other flame problems.
- Verify air shutter setting is correct. See Section 14.G for required air shutter setting. Verify air shutter is clear of dust and debris.
- Inspect orifice for soot, dirt and corrosion. Verify orifice size is correct. See Service Parts List for proper orifice sizing.
- Verify manifold and inlet pressures. Adjust regulator as required.
- Inspect pilot flame pattern and strength. See Figure 3.1 for proper pilot flame pattern. Clean or replace orifice spud as necessary.
- Inspect IPI flame sensing rod for soot, corrosion and deterioration. Polish with fine steel wool or replace as required.
- Verify that there is not a short in flame sense circuit by checking continuity between pilot hood and flame sensing rod. Replace pilot as necessary.

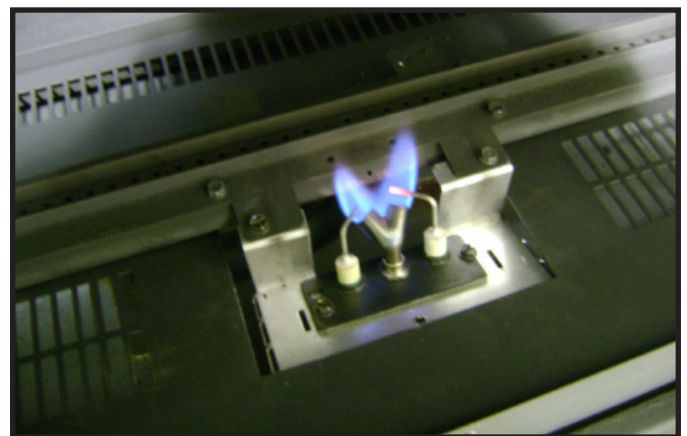


Figure 3.1 IPI Pilot Flame Pattern

4 Getting Started

Installer Guide

A. Typical Appliance System

NOTICE: Illustrations and photos reflect typical installations and are for design purposes only. Illustrations/diagrams are not drawn to scale. Actual product may vary from pictures in manual

Note: Dual venting configurations **ARE NOT** allowed. Appliance **MUST** be vented **EITHER** vertically **OR** horizontally.

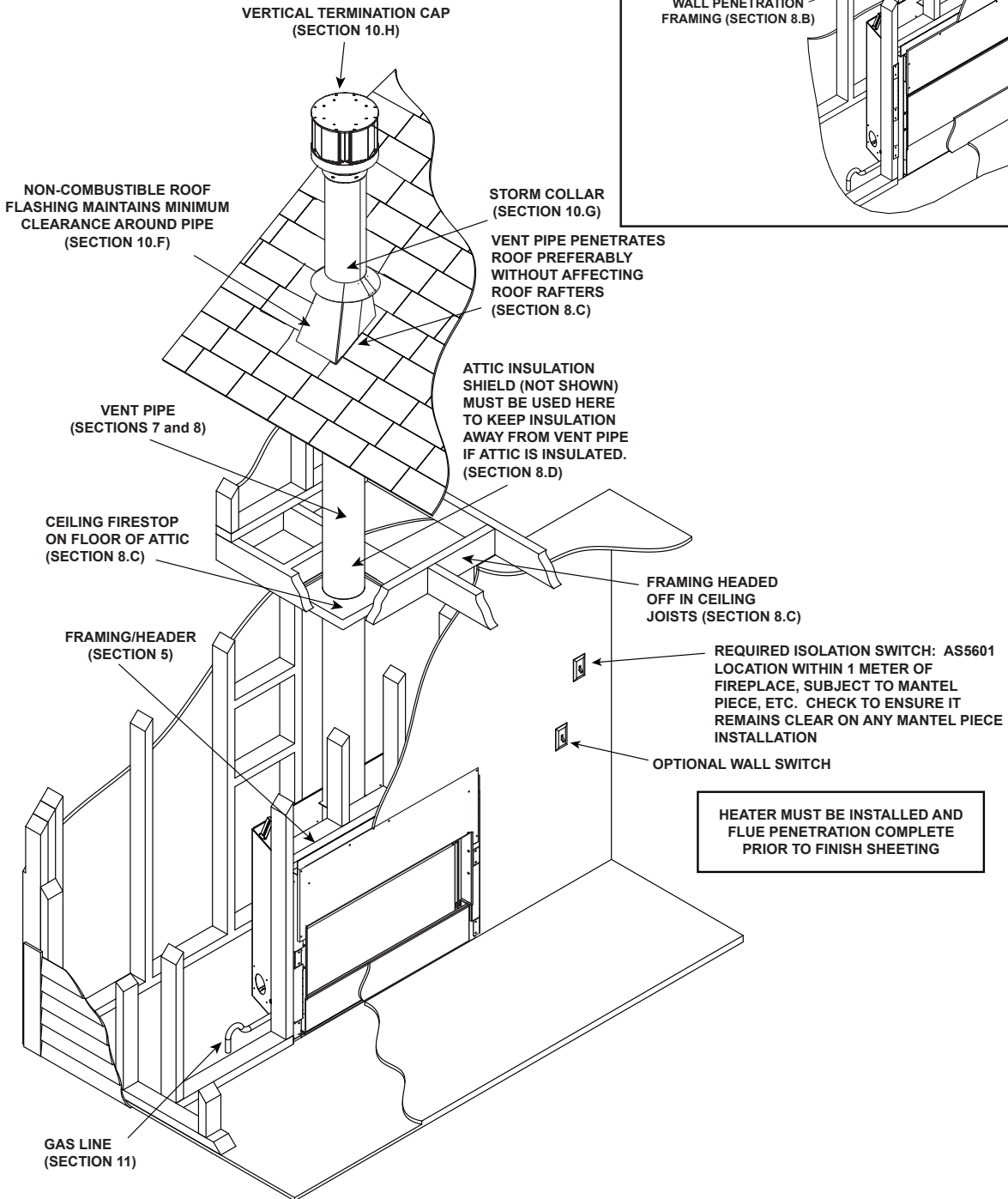


Figure 4.1 sta

B. Design and Installation Considerations

Heat & Glo direct vent gas appliances are designed to operate with all combustion air siphoned from outside of the building and all exhaust gases expelled to the outside. No additional outside air source is required.

Before installing, determine the following:

- Where the appliance is to be installed.
- The vent system configuration to be used.
- Gas supply piping.
- Electrical wiring requirements.
- Framing and finishing details.
- Whether optional accessories—devices such as a wall switch or remote control—are desired.



Installation and service of this appliance should be performed by qualified personnel. Hearth & Home Technologies recommends HHT Factory Trained,

C. Tools and Supplies Needed

Before beginning the installation be sure that the following tools and building supplies are available.

| | |
|--|--|
| Tape measure | Framing material |
| Pliers | Non-corrosive leak check solution |
| Hammer | Phillips screwdriver (magnetic) |
| Gloves | Framing square |
| Voltmeter | Electric drill and bits - 1/4 in. (6 mm) |
| Plumb line | Safety glasses |
| Level | Reciprocating saw |
| Manometer | Flat blade screwdriver |
| Caulking material (149 °C (300 °F) minimum continuous exposure rating) | |
| One 1/4 in. (6 mm) female connection (for optional fan) | |

D. Inspect Appliance and Components

- Carefully remove the appliance and components from the packaging.
- The vent system components and decorative doors and fronts may be shipped in separate packages.
- Report to your dealer any parts damaged in shipment, particularly the condition of the glass.
- **Read all of the instructions before starting the installation. Follow these instructions carefully during the installation to ensure maximum safety and benefit.**

WARNING! Risk of Fire or Explosion! Damaged parts could impair safe operation. DO NOT install damaged, incomplete or substitute components. Keep appliance dry.

Hearth & Home Technologies disclaims any responsibility for, and the warranty will be voided by, the following actions:

- Installation and use of any damaged appliance or vent system component.
- Modification of the appliance or vent system.
- Installation other than as instructed by Hearth & Home Technologies.
- Improper positioning of the gas logs or the glass door.
- Installation and/or use of any component part not approved by Hearth & Home Technologies.

Any such action may cause a fire hazard.

WARNING! Risk of Fire, Explosion or Electric Shock! DO NOT use this appliance if any part has been under water. Call a qualified service technician to inspect the appliance and to replace any part of the control system and/or gas control which has been under water.

5 Framing and Clearances

A. Selecting Appliance Location

When selecting a location for the appliance it is important to consider the required clearances to walls (see Figure 5.1).

WARNING! Risk of Fire or Burns! Provide adequate clearance around air openings and for service access. Due to high temperatures, the appliance should be located out of traffic and away from furniture and draperies.

NOTICE: Illustrations reflect typical installations and are FOR DESIGN PURPOSES ONLY. Illustrations/diagrams are not drawn to scale. Actual installation may vary due to individual design preference.

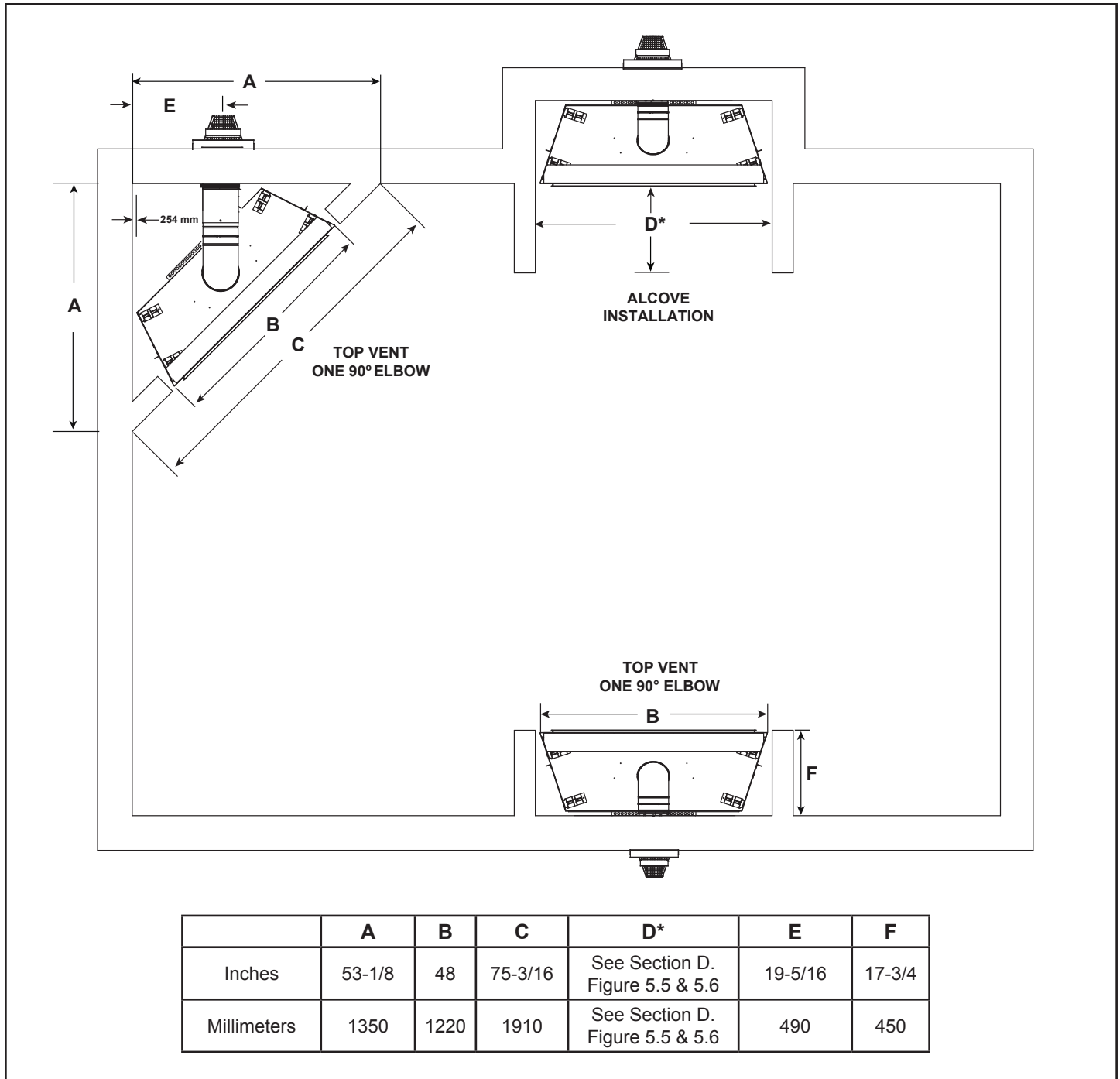


Figure 5.1 Appliance Locations

B. Constructing the Appliance Chase

A chase is a vertical box-like structure built to enclose the gas appliance and/or its vent system. In cooler climates the vent should be enclosed inside the chase.

NOTICE: Treatment of ceiling firestops and wall shield firestops and construction of the chase may vary with the type of building. These instructions are not substitutes for the requirements of local building codes. Therefore, you **MUST** check local building codes to determine the requirements to these steps.

Chases should be constructed in the manner of all outside walls of the home to prevent cold air drafting problems. The chase should not break the outside building envelope in any manner.

C. Clearances

NOTICE: Install appliance on hard metal or wood surfaces extending full width and depth. **DO NOT** install directly on carpeting, vinyl, tile or any combustible material other than wood.

WARNING! Risk of Fire! Maintain specified air space clearances to appliance and vent pipe:

- Insulation and other materials must be secured to prevent accidental contact.
- The chase must be properly blocked to prevent blown insulation or other combustibles from entering and making contact with fireplace or chimney.
- Failure to maintain airspace may cause overheating and a fire.

Note: Figure 5.2 shows the fireplace installed on the floor. However, this fireplace can be elevated off the floor provided that the fireplace is properly supported by framing materials and the ceiling clearances are maintained.

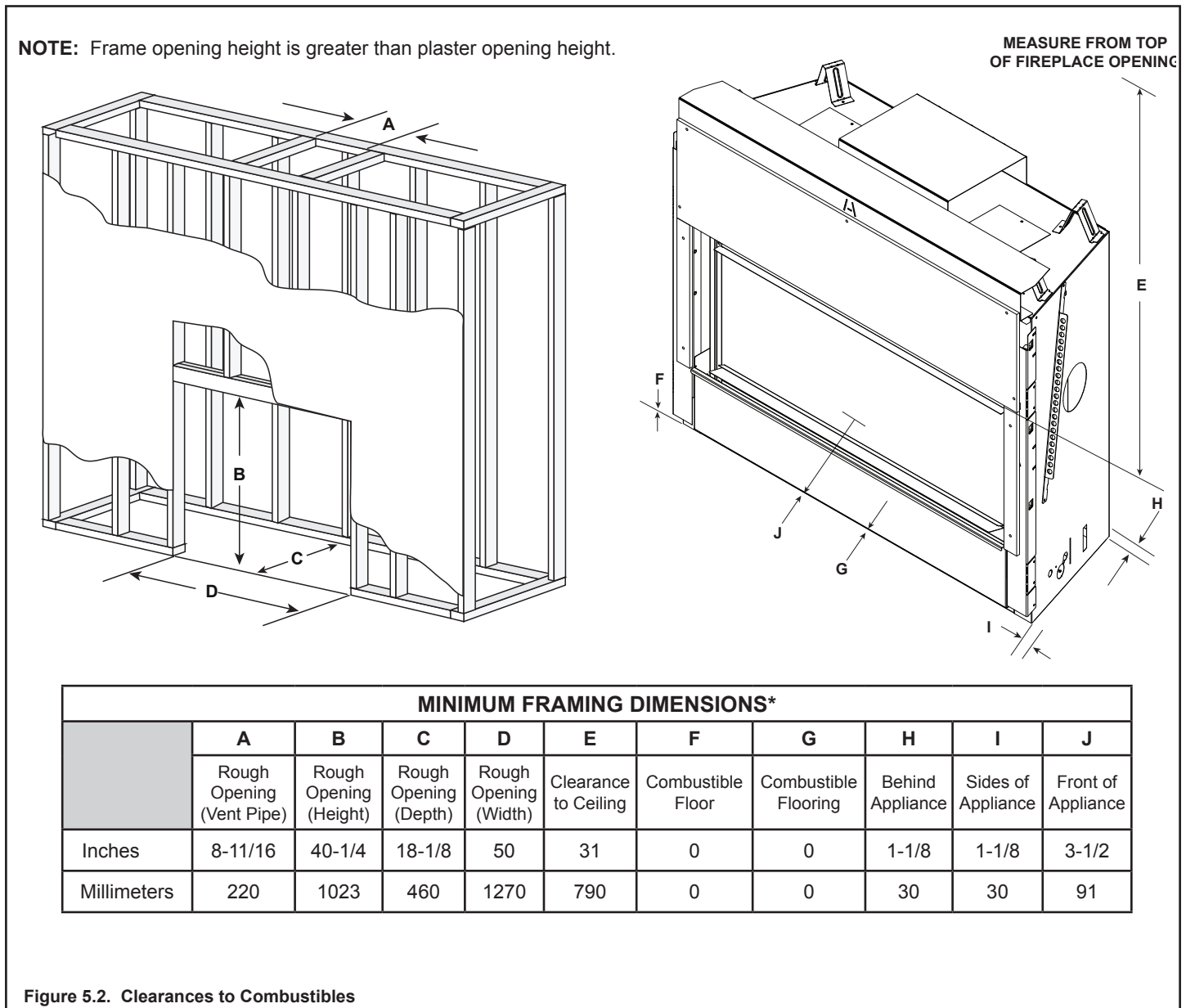
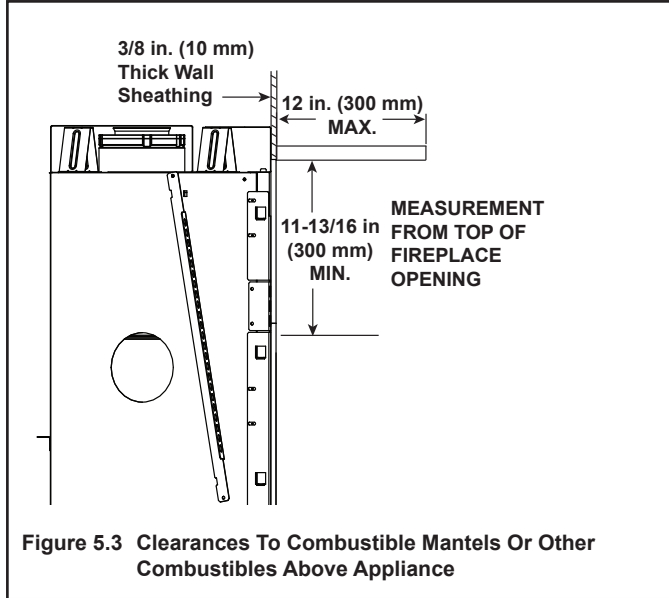


Figure 5.2. Clearances to Combustibles

D. Mantel and Wall Projections

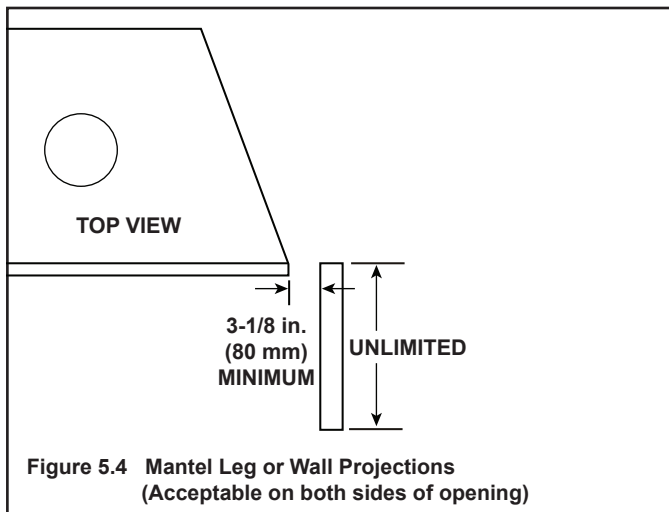
WARNING! Risk of Fire! Comply with all minimum clearances to combustibles as specified. Framing or finishing material closer than the minimums listed must be constructed entirely of noncombustible materials (i.e., steel studs, concrete board, etc).

Mantels (Combustible/Non-Combustible)

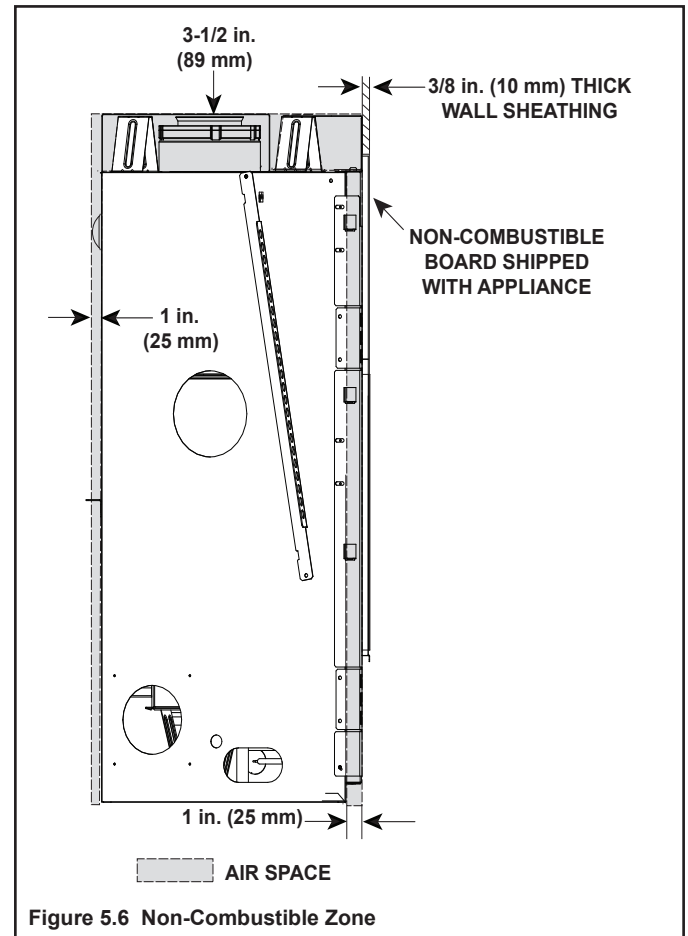
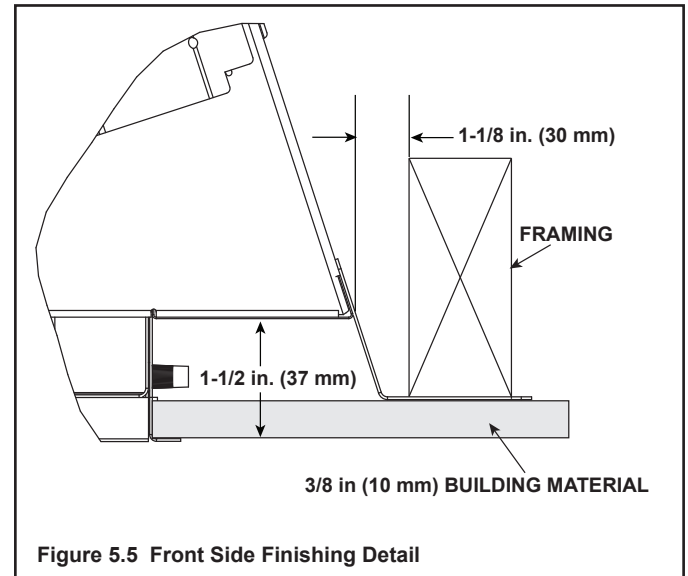


Note: For non-combustible fireplace finish material (marble, stone, etc) specifications refer to Section 13.

Mantel Leg (Combustible/Non-Combustible)



Front Side Finishing Detail



Note: AIR SPACE denoted in Figure 5.6 is defined by the nailing tabs and top metal standoffs.

6 Termination Locations

A. Vent Termination Minimum Clearances

⚠ WARNING

Fire Risk.
Maintain vent clearance to combustibles as specified.

- **DO NOT** pack air space with insulation or other materials.

Failure to keep insulation or other materials away from vent pipe may cause overheating and fire.

| Angle | H (Min.) mm |
|-------------|-------------|
| 0°-26.6° | 500* |
| 26.6°-30.3° | 500* |
| 30.3°-33.7° | 500* |
| 33.7°-36.9° | 610* |
| 36.9°-39.8° | 760* |
| 39.8°-42.5° | 990 |
| 42.5°-45.0° | 1220 |
| 45.0°-49.4° | 1520 |
| 49.4°-53.1° | 1830 |
| 53.1°-56.3° | 2130 |
| 56.3°-59.0° | 2290 |
| 59.0°-60.3° | 2440 |

*910 mm minimum in snow regions

Figure 6.1 Minimum Height From Roof To Lowest Discharge Opening

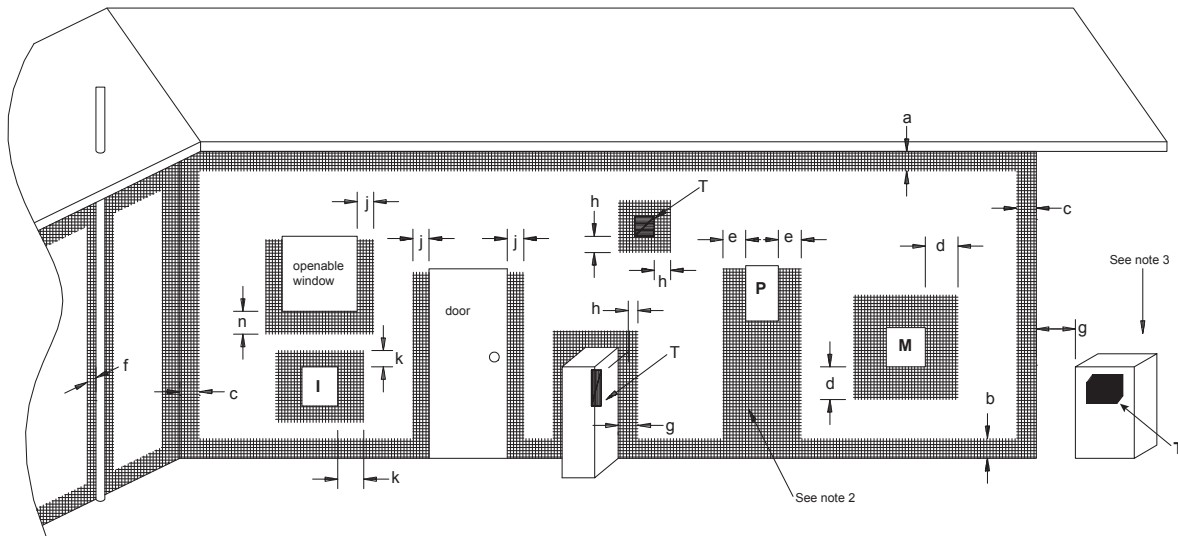
| A | B |
|--|------------------------------------|
| 6 in. mm (min.) up to 20 in. (152 mm (min.) up to 508 mm) | 18 in. minimum (457 mm minimum) |
| 20 in. minimum (508 mm minimum) | 0 in. minimum (0 mm minimum) |

| A | B |
|--------------------------------|----------------|
| 152 mm (minimum) up to 508 mm. | 457 mm minimum |
| 508 mm and over | 0 mm minimum |

* If using decorative cap cover(s), this distance may need to be

Figure 6.2 Staggered Termination Caps

B. Chimney Diagram



T = Flue terminal
I = Mechanical air inlet

M = Gas meter
P = Electricity meter or fuse box

Shading indicates prohibited areas for flue terminals

- | | | |
|---|--|----------------------------------|
| a | - Below eaves, balconies or other projections: | MIN. CLEARANCE - in. (mm) |
| | Appliances up to 50 MJ/h input | 12 (300) |
| | Appliances over 50 MJ/h input | 20-1/2 (500) |
| b | - From the ground or above a balcony | 12 (300) |
| c | - From a return wall or external corner | 20-1/2 (500) |
| d | - From a gas meter (M) | 39 (1000) |
| e | - From an electricity meter or fuse box (P) | 20-1/2 (500) |
| f | - From a drain or soil pipe | 6 (150) |
| g | - Horizontally from any building structure (unless appliance approved for closer installation) or obstruction facing a terminal | 20-1/2 (500) |
| h | - From any other flue terminal, cowl, or combustion air intake | 20-1/2 (500) |
| j | - Horizontally from an openable window, door, non-mechanical air inlet, or any other opening into a building, with the exception of sub-floor ventilation: | |
| | Appliances up to 150 MJ/h input | 20-1/2 (500) |
| | Appliances over 150 MJ/h input | 60 (1500) |
| k | - From a mechanical air inlet, including a spa blower | 60 (1500) |
| n | - Vertically below an openable window, non-mechanical air inlet or any other opening into a building, with the exception of sub-floor ventilation | See table below |

| CLEARANCE | | | |
|---------------------|----------------------|---|--------------------|
| Space Heaters | All other appliances | | |
| Up to 50 MJ/h input | Up to 50 MJ/h input | Over 50 MJ/h input and Up to 150 MJ/h input | Over 50 MJ/h input |
| 6 in. (150 mm) | 20 in. (500 mm) | 39 in. (1000 mm) | 59 in. (1500 mm) |

- NOTES:**
- All distances are measured vertically or horizontally along the wall to a point in line with the nearest part of the terminal.
 - Prohibited area below electricity meter or fuse box extends to ground level.
 - Flue terminal under covered area;
 - The covered area or recess shall be open on at least two sides.
 - Fan assisted flue appliance shall have at least one side open and the terminal shall be within 500 mm of the opening and discharging in the direction of the opening.
 - Clearance from a flue terminal to a LP cylinder shall be a minimum of 1 meter.

MINIMUM CLEARANCES REQUIRED FOR BALANCED FLUE TERMINALS OR THE FLUE TERMINALS OF OUTDOOR APPLIANCES

Figure 6.3 Minimum Clearances for Termination

7 Vent Information and Diagrams

A. Approved Pipe

This appliance is approved for use with Hearth & Home Technologies SLP venting systems. Refer to Section 17.B for vent component information.

DO NOT mix pipe, fittings or joining methods from different manufacturers.

The pipe is tested to be run inside an enclosed wall. There is no requirement for inspection openings at each joint within the wall.

WARNING! Risk of Fire or Asphyxiation. This appliance requires a separate vent. **DO NOT** vent to a pipe serving a separate solid fuel burning appliance.

NOTICE: The SLP-HRC-SS and SLP-HRC-ZC-SS termination caps are NOT approved for use with propane or ULPG fuel.

B. Vent Table Key

The abbreviations listed in this vent table key are used in the vent diagrams.

| Symbol | Description |
|----------------|---|
| V ₁ | First section (closest to appliance) of vertical length |
| V ₂ | Second section of vertical length |
| H ₁ | First section (closest to appliance) of horizontal length |
| H ₂ | Subsequent sections of horizontal length |

C. Use of Elbows

Diagonal runs have both vertical and horizontal vent aspects when calculating the effects. Use the rise for the vertical aspect and the run for the horizontal aspect (see Figure 7.1).

Two 45° elbows may be used in place of one 90° elbow. On 45° runs, one foot of diagonal is equal to 8-1/2 in. (216 mm) horizontal run and 8-1/2 in. (216 mm) vertical run. A length of straight pipe is allowed between two 45° elbows (see Figure 7.1).

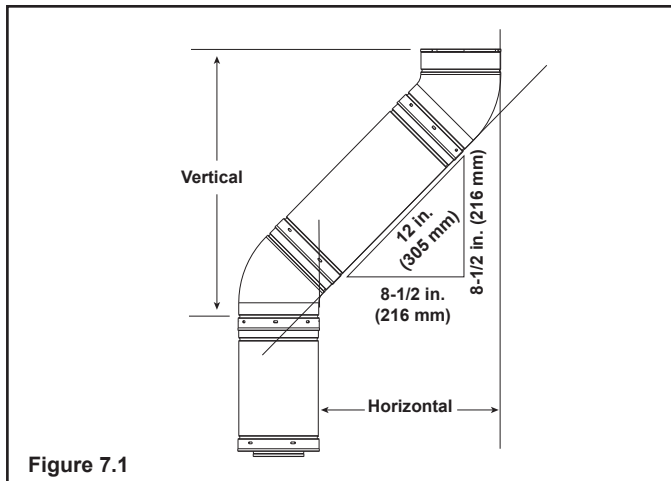


Figure 7.1

D. Measuring Standards

Vertical and horizontal measurements listed in the vent diagrams were made using the following standards.

- Pipe measurements are shown using the effective length of pipe (see Figure 7.2).
- Measurements are made from the appliance outer wrap, not from the standoffs.
- Horizontal terminations are measured to the outside mounting surface (flange of termination cap).
- Vertical terminations are measured to bottom of termination cap.
- Horizontal pipe installed level with no rise.

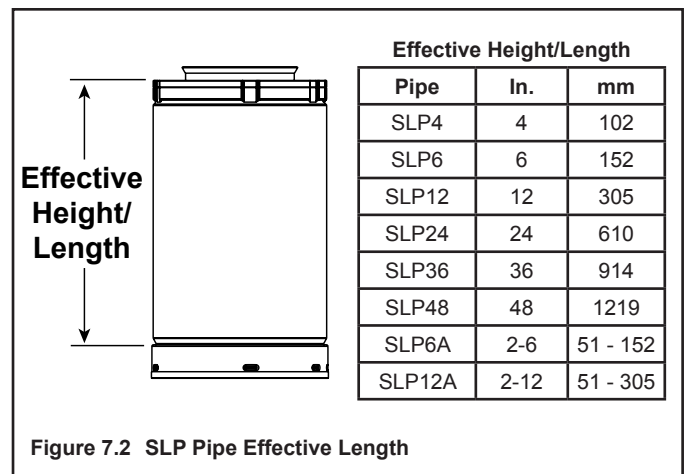


Figure 7.2 SLP Pipe Effective Length

E. Vent Diagrams

General Rules:

- When penetrating a combustible wall, a wall shield firestop must be installed.
- When penetrating a combustible ceiling, a ceiling firestop must be installed.
- Horizontal runs of vent do not require vertical rise; horizontal runs may be level.

⚠ WARNING



Fire Risk. Explosion Risk.
 Do NOT pack insulation or other combustibles between ceiling firestops.
 • ALWAYS maintain specified clearances around venting and firestop systems.
 • Install wall shield and ceiling firestops as specified.
 Failure to keep insulation or other material away from vent pipe may cause fire.



**Top Vent - Horizontal Termination
 Venting with 1 elbow**

| V Minimum | H ₁ Maximum |
|-------------------------|------------------------|
| 90 Elbow | 457 mm |
| 305 mm (1 ft.) | 914 mm (3 ft.) |
| 457 mm (1.5 ft.) | 1067 mm (3.5 ft.) |
| 610 mm (2 ft.) | 1.52 m (5 ft.) |
| 762 mm (2.5 ft.) | 1.85 m (6 ft.) |
| 914 mm (3 ft.) | 2.13 m (7 ft.) |
| 1066 mm (3.5 ft.) | 3.05 m (10 ft.) |
| 1.2 m (4 ft.) | 4.6 m (15 ft.) |
| H Max. = 4.6 m (15 ft.) | |
| V + H Max. = 12.2 m | |

Note: Use SLP Series components only.

Note: All appliances that will burn ULPG must have a 10 in. (254 mm) vertical section of pipe before any other venting.

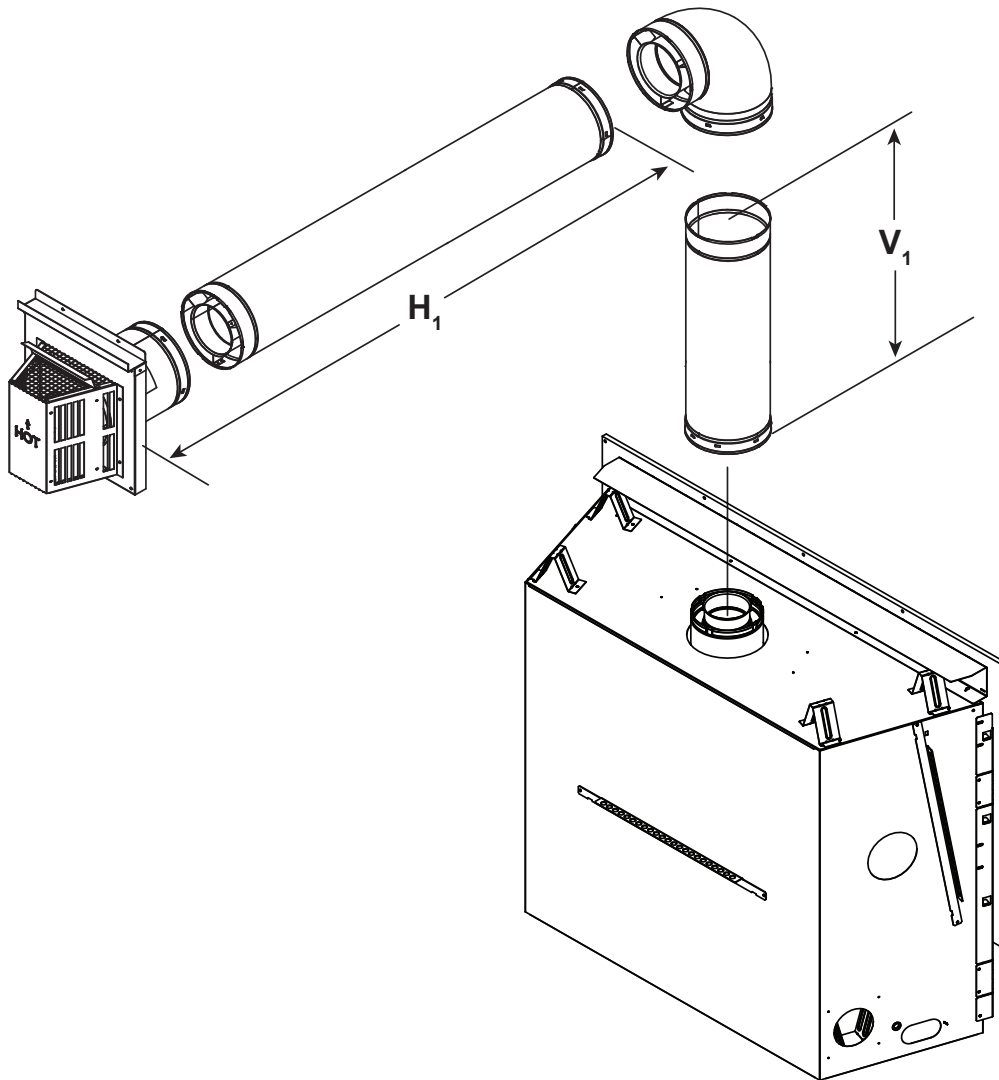


Figure 7.3

1. Top Vent - Horizontal Termination - (continued)

Top Vent - Horizontal Termination Venting with 2 elbows

| V Minimum | H ₁ + H ₂ Maximum |
|---|---|
| 90° Elbow | 305 mm (1 ft.) |
| 305 mm (1 ft.) | 610 mm (2 ft.) |
| 457 mm (1.5 ft.) | 914 mm (3 ft.) |
| 610 mm (2 ft.) | 1.22 m (4 ft.) |
| 762 mm (2.5 ft.) | 1.53 m (5 ft.) |
| 914 mm (3 ft.) | 1.8 m (6 ft.) |
| 1066 mm (3.5 ft.) | 2.75 m (9 ft.) |
| 1.2 m (4 ft.) | 4.6 m (15 ft.) |
| H + H ₁ Max. = 4.6 m (15 ft.) V + H + H ₁ Max. = 12.2 m (40 ft.) | |

Note: Use SLP Series components only.

Note: All appliances that will burn ULPG must have a 12 in. (305 mm) vertical section of pipe before any other venting.

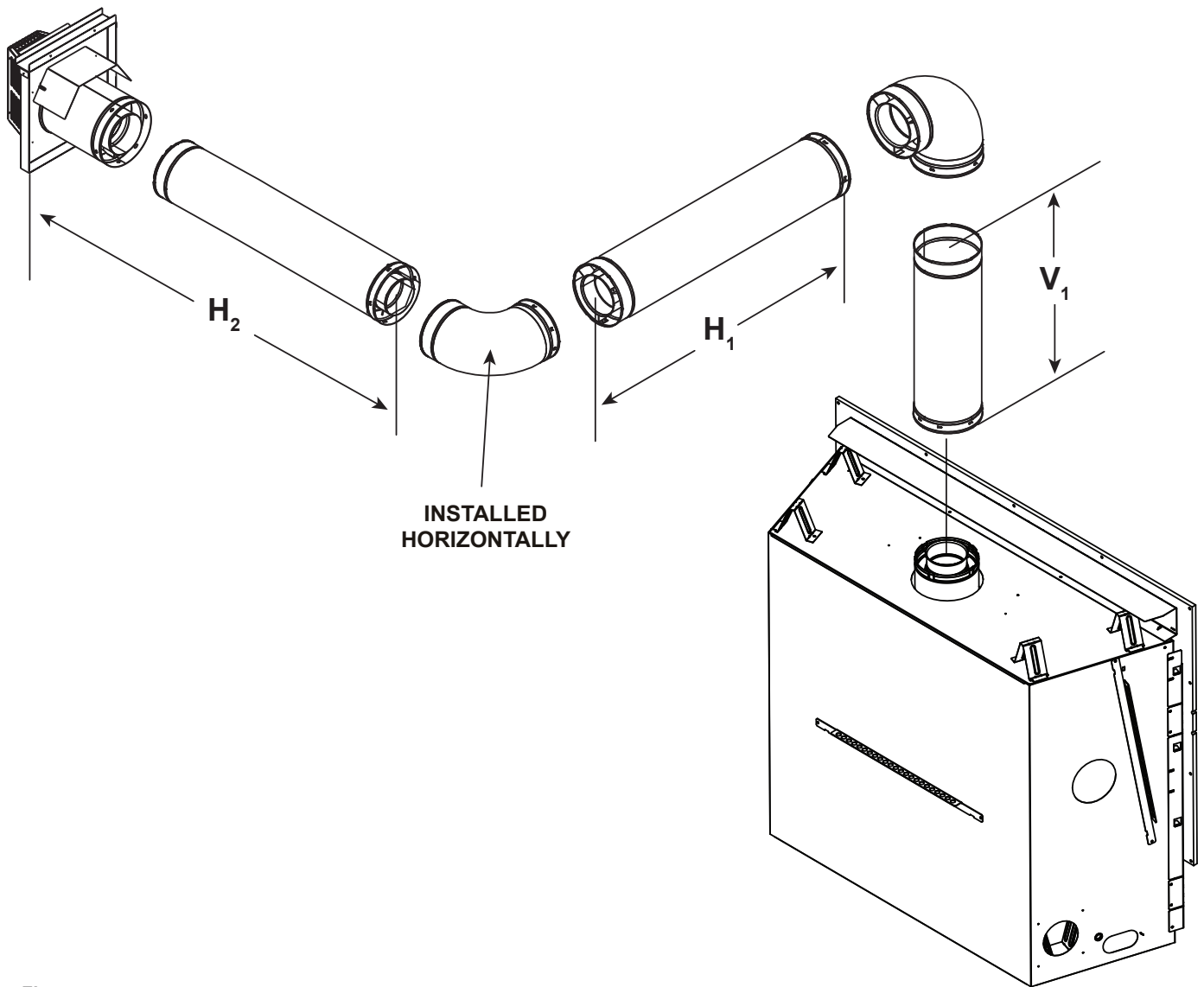
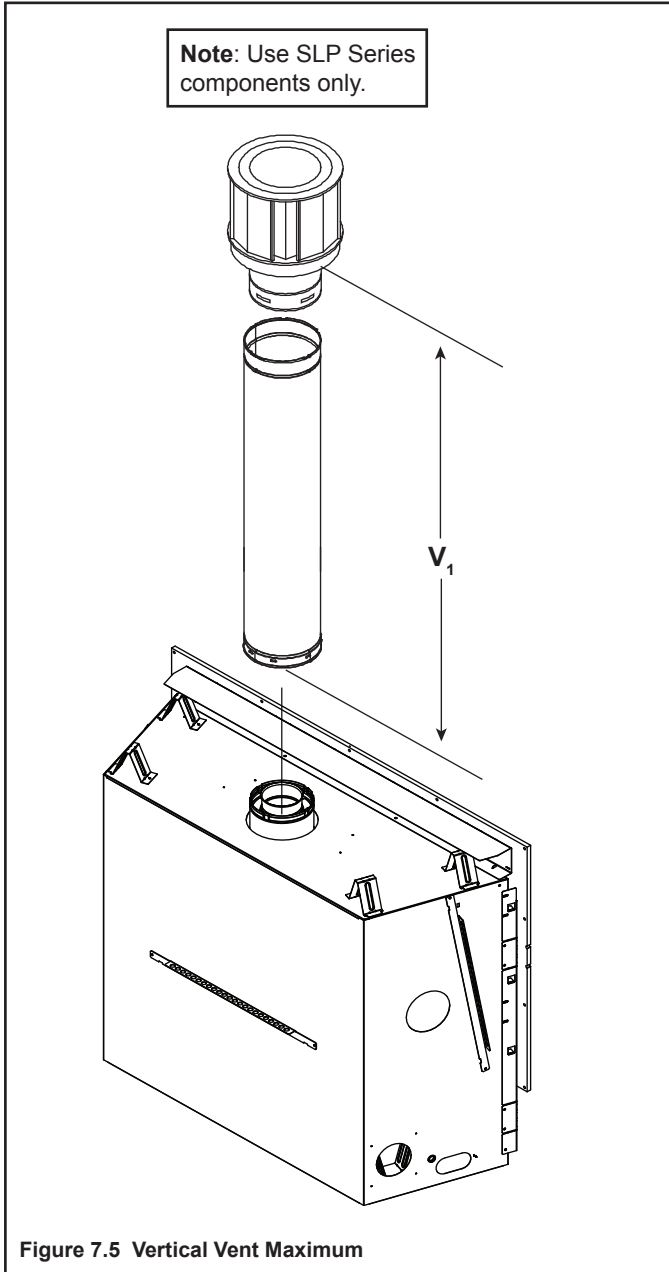


Figure 7.4

Top Vent - Vertical Termination No Elbows

V_1 Max= 13.4 m (44 ft.)

Note: If installing a vertical vent/termination off the top of the appliance, the optional exhaust restrictor may be needed.



Exhaust restrictors are recommended for these vertically terminated products which have excessive draft. Exhaust restrictors will compensate for high draft, and restore visual flame height. If the vent configuration has a total vertical of 6-1/2 ft. - 44 ft. (2 m - 13.4 m), an exhaust restrictor may be needed. The exhaust restrictor is located in the appliance manual bag.

Exhaust Restrictor Instructions

1. Locate the inner firebox exhaust restrictor. Figure 7.6.
2. Remove restrictor for XLR-LOGS kit.

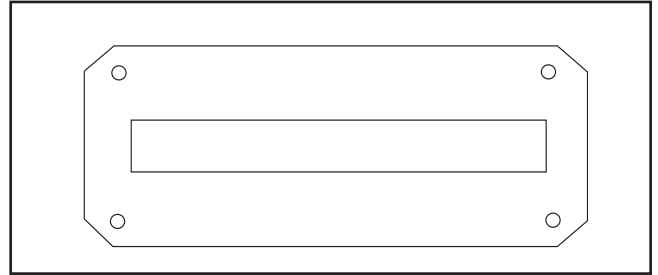


Figure 7.6 Standard Restrictor

3. Replace existing restrictor with small cut-out restrictor in manual bag for installations with more than 6-1/2 ft. (2 m) of vertical piping. See Figure 7.7.

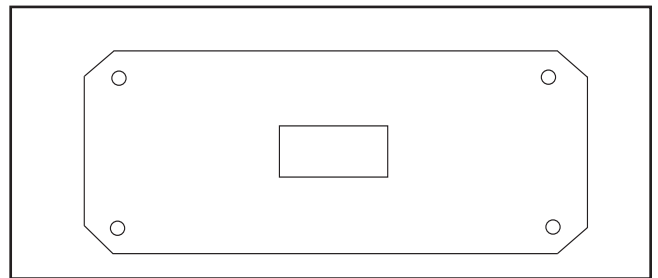


Figure 7.7 Restrictor with Small Cut-Out

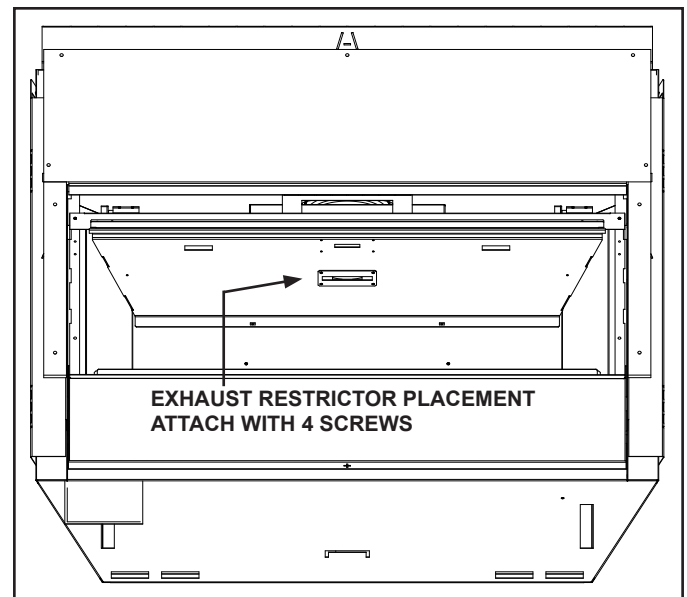


Figure 7.8 Exhaust Restrictor

Top Vent - Vertical Termination Venting with 2 elbows

| V ₁ Minimum | H Maximum | V ₂ | V ₁ + V ₂ Minimum |
|------------------------|----------------|----------------|---|
| 90° Elbow | 2 ft. (610 mm) | * | * |
| 6 in. (152 mm) | 3 ft. (914 mm) | * | * |
| 18 in. (457 mm) | 5 ft. (1.5 m) | * | * |
| 36 in. (914 mm) | 7 ft. (2.1 m) | * | * |
| 43 in. (1.1 m) | 15 ft. (4.6 m) | * | * |

H Max. = 15 ft. (4.6 m)
 V₁ + V₂ + H Max. = 40 ft. (12.2 m)
 * No specific restrictions on this value EXCEPT V₁ + V₂ + H cannot exceed 12.2 m

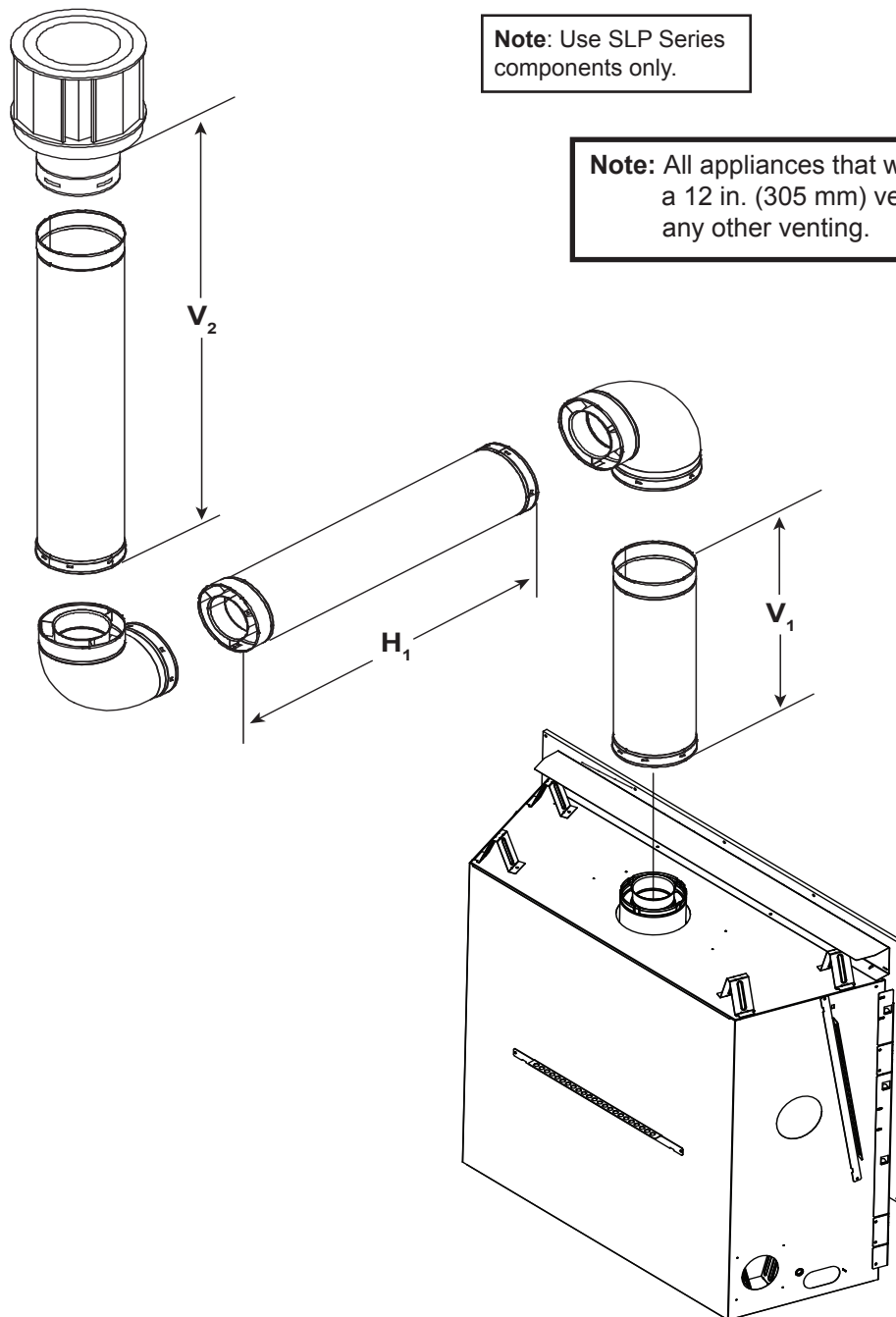


Figure 7.9

Top Vent - Vertical Termination Venting with 3 elbows

| V_1 Minimum | $H_1 + H_2$ Maximum | V_2 | $V_1 + V_2$ Minimum |
|----------------|---------------------|-------|---------------------|
| 90° Elbow | 1 ft. (305 mm) | * | * |
| 1 ft. (305 mm) | 2 ft. (610 mm) | * | * |
| 2 ft. (610 mm) | 5 ft. (1.2 m) | * | * |
| 3 ft. (914 mm) | 6 ft. (1.8 m) | * | * |
| 4 ft. (1.2 m) | 14 ft. (4.3 m) | * | * |

H Max. = 14 ft. (4.3 m)
 $V_1 + V_2 + H_1 + H_2$ Max. = 40 ft. (12.2 m)
 * No specific restrictions on this value EXCEPT $V_1 + V_2 + H_1 + H_2$ cannot exceed 40 ft. (12.2 m)

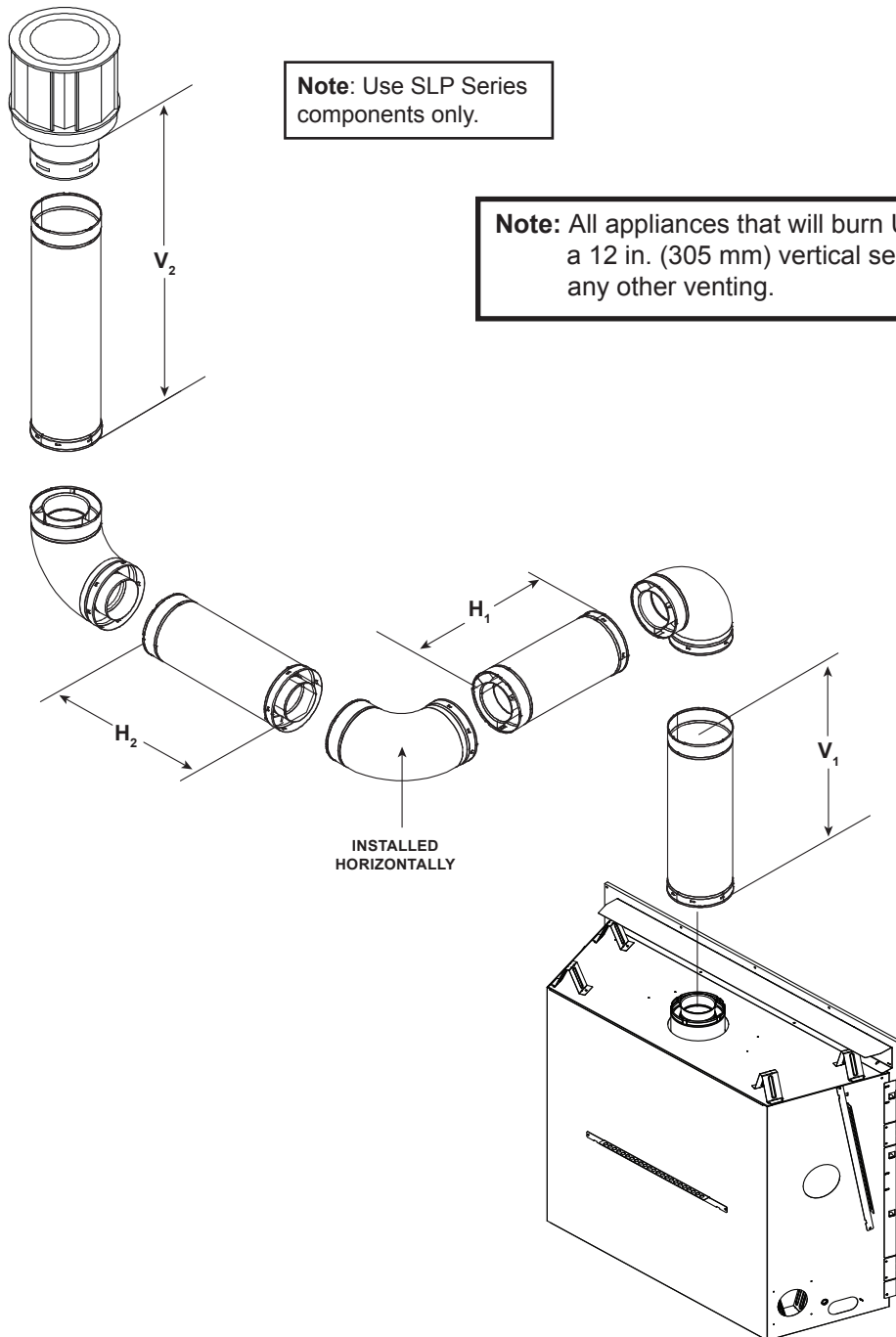


Figure 7.10

Top Vent - Vertical Termination Venting with 4 elbows

Note: Use SLP Series components only.

| V ₁ Min. | H ₁ Max. | V ₂ Min. | H ₂ Max. | V ₃ Min. |
|--|---------------------|---------------------|---------------------|---------------------|
| 18 in. (457 mm) | 5 ft. (1.2 m) | 5 ft. (1.2 m) | 5 ft. (1.2 m) | 3 ft. (1.0 m) |
| V ₁ + V ₂ + V ₃ + H ₁ + H ₂ Maximum = 40 ft. (12.2 m) | | | | |

Note: All appliances that will burn ULPG must have a 12 in. (305 mm) vertical section of pipe before any other venting.

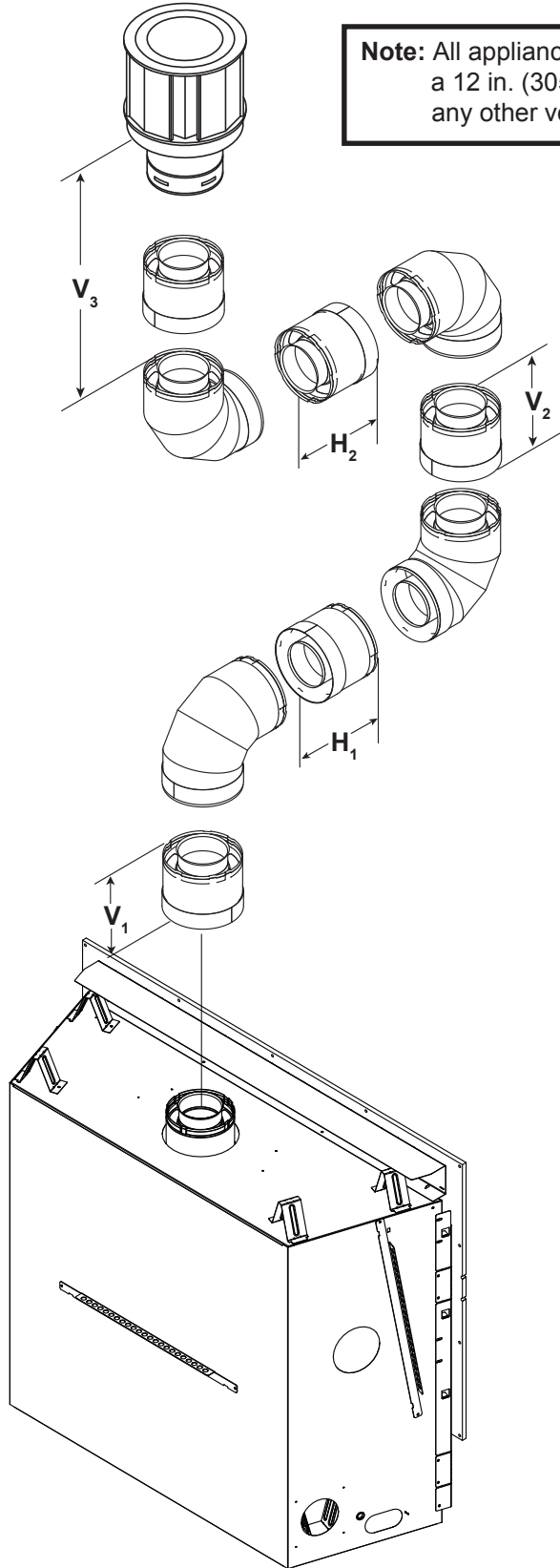


Figure 7.11

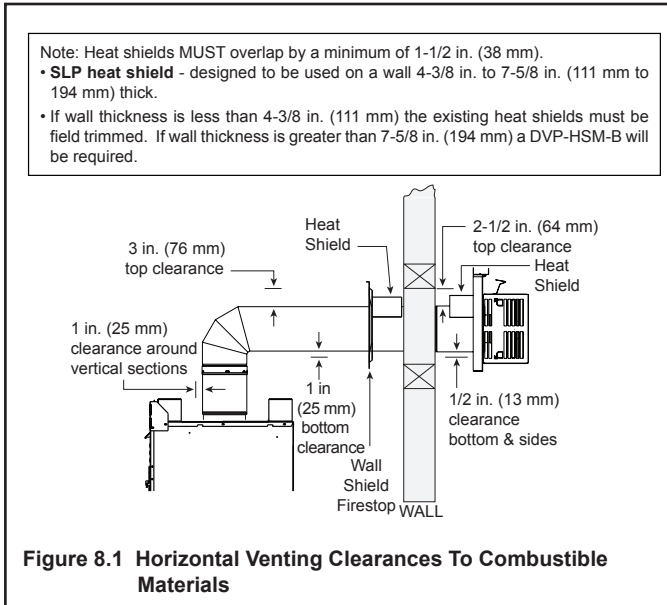
8 Vent Clearances and Framing

A. Pipe Clearances to Combustibles

WARNING! Risk of Fire! Maintain air space clearance to vent. DO NOT pack insulation or other combustibles:

- Between ceiling firestops
- Between wall shield firestops
- Around vent system

Failure to keep insulation or other material away from vent pipe may cause over heating and fire.



B. Wall Penetration Framing

Combustible Wall Penetration

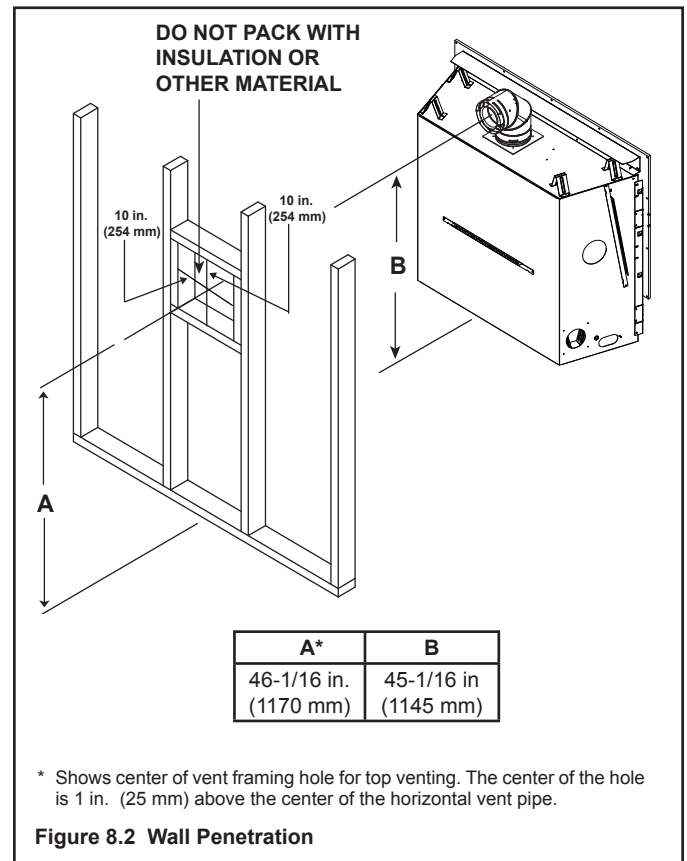
Whenever a combustible wall is penetrated, you must frame a hole for the wall shield firestop(s). The wall shield firestop maintains minimum clearances and prevents cold air infiltration.

- The opening must be framed on all four sides using the same size framing materials as those used in the wall construction.
- SLP pipe - A wall shield firestop must be placed on each side of an interior wall. A minimum 1-1/2 in. (38 mm) overlap of attached heat shields must be maintained.
- See Section 10.K. for information for regarding the installation of a horizontal termination cap.

Non-Combustible Wall Penetration

If the hole being penetrated is surrounded by noncombustible materials such as concrete, a hole with diameter 10 in. (254 mm) greater than the pipe is acceptable.

Whenever a non-combustible wall is penetrated, the wall shield firestop is only required on one side and no heat shield is necessary.

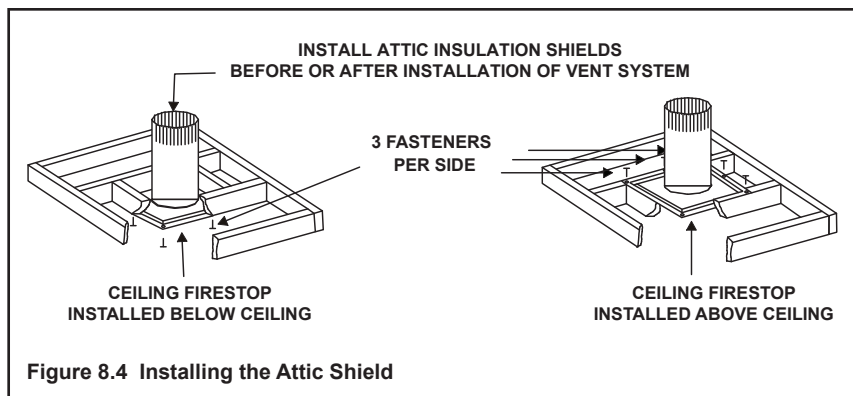
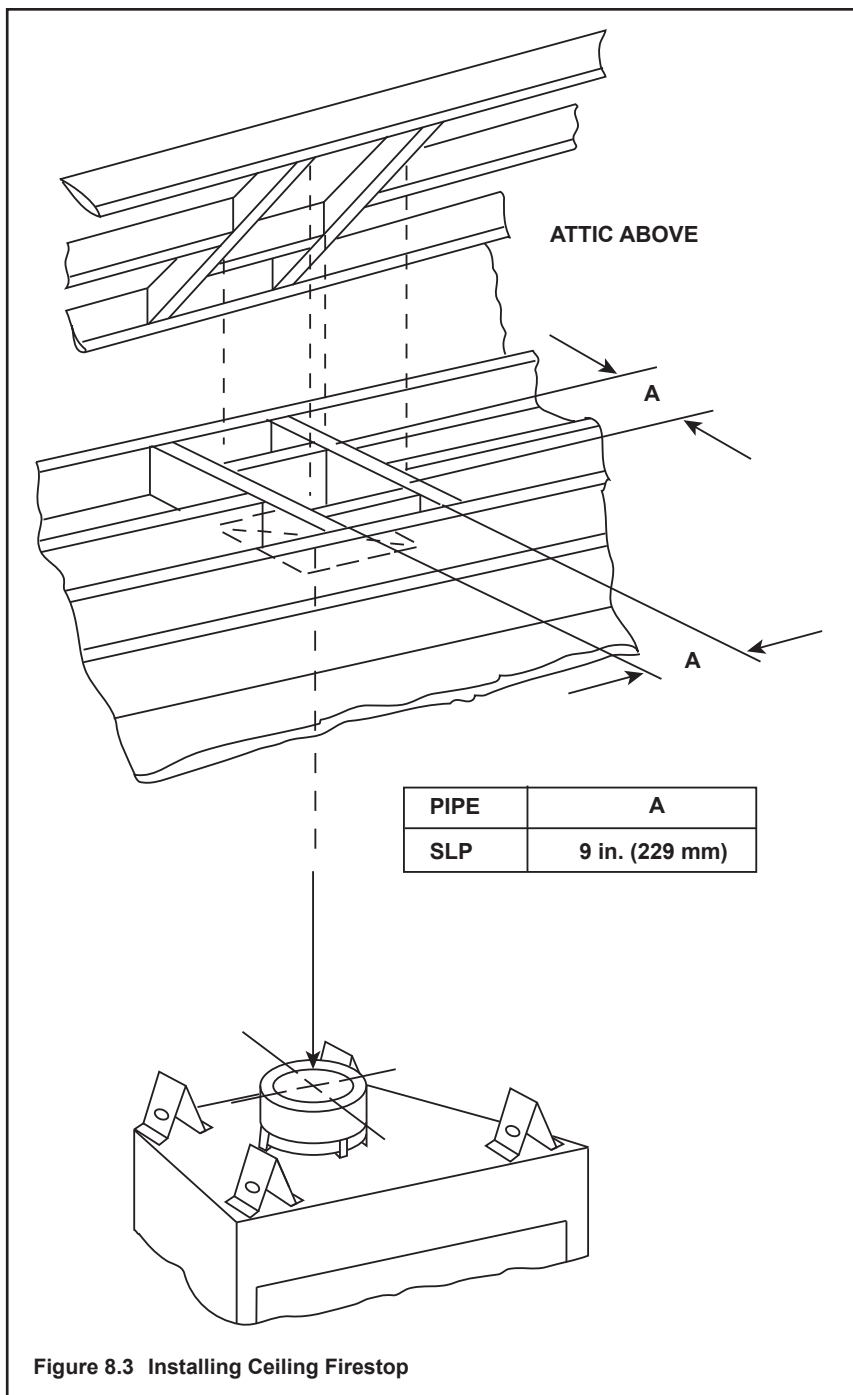


C. Install the Ceiling Firestop

A ceiling firestop **MUST** be used between floors and attics.

- **SLP pipe only** - Frame opening 9 in. x 9 in. (229 mm x 229 mm) whenever the vent penetrates a ceiling/floor (see Figure 8.3).
- Frame the area with the same sized lumber as used in ceiling/floor joist.
- The ceiling firestop may be installed above or below the ceiling joists when installed with a attic insulation shield. It must be under joists between floors that are not insulated. Refer to Figure 8.4.
- Secure with three fasteners on each side.

WARNING! Risk of Fire! DO NOT pack insulation around the vent. Insulation must be kept back from the pipe to prevent overheating.



D. Install Attic Insulation Shield

WARNING! Fire Risk. DO NOT allow loose materials or insulation to touch vent. *Hearth & Home Technologies* requires the use of an attic shield.

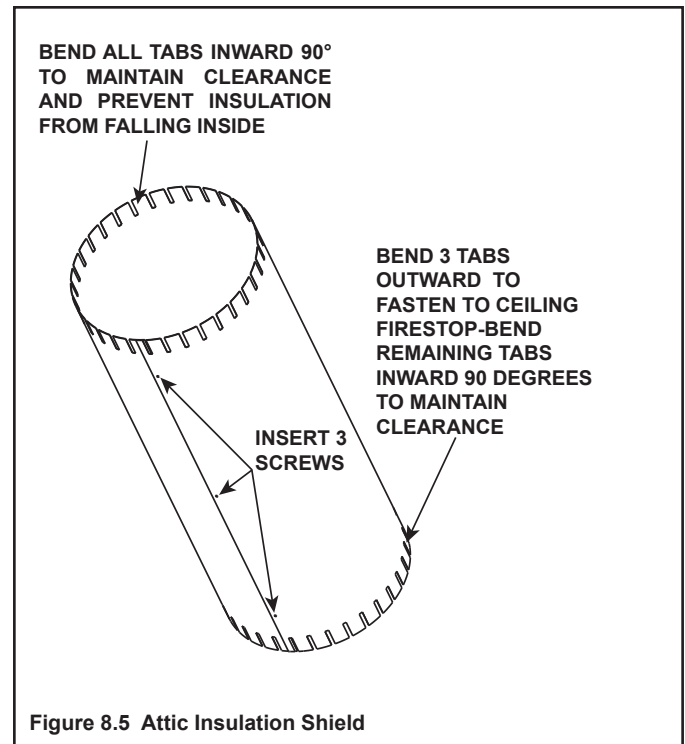
Attic shields must meet specified clearance and be secured in place.

Flat Ceiling Installation

- Remove one shield from box.

NOTICE: Cut previously installed batt insulation to make room for the attic insulation shield.

- Wrap shield around pipe if pipe is already installed in area to be insulated.
- Match the three holes in each side and fasten with three screws to form a tube.
- Bend three tabs on the bottom of the shield outward to allow attachment to the ceiling firestop.
- Bend the remaining bottom tabs inward 90° to maintain the air space between the pipe and the shield. Set the shield on the ceiling firestop and attach to the firestop.
- Bend all tabs inward 90° around the top of the shield. These tabs must be used to prevent blown insulation from getting between the shield and vent pipe, and to maintain air space clearance.



Vaulted Ceiling Installation

- Remove one shield from box.

NOTICE: Cut previously installed batt insulation to make room for the attic insulation shield.

- Cut the attic insulation shield (if application is for vaulted ceiling) to fit your ceiling pitch. Snip cut edge to recreate 1 in. (25 mm) bend tabs all the way around the bottom.
- Wrap shield around pipe if pipe is already installed in area to be insulated.
- Match the three holes in each side and fasten with three screws to form a tube.
- Bend three tabs on the bottom of the shield outward to allow attachment to the ceiling firestop.
- Bend the remaining bottom tabs inward 90° to maintain the air space between the pipe and the shield. Set the shield on the ceiling firestop and attach to the firestop.
- Bend all tabs inward 90° around the top of the shield. These tabs must be used to prevent blown insulation from getting between the shield and vent pipe, and to maintain air space clearance.

9 Appliance Preparation

A. Top Vent

CAUTION! Risk of Cuts, Abrasions or Flying Debris.
Wear protective gloves and safety glasses during installation. Sheet metal edges are sharp.

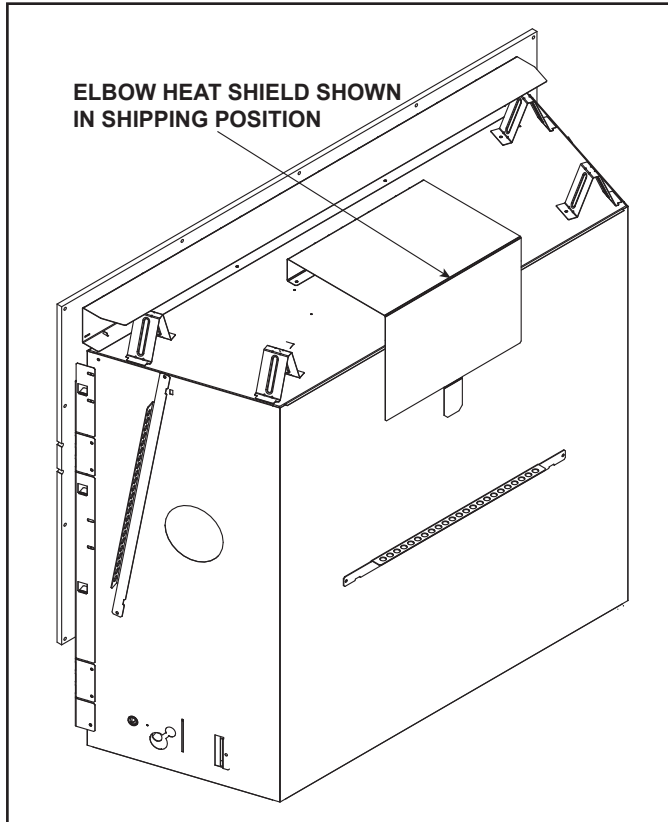


Figure 9.1 Elbow Shield Shown as Shipped

If venting with a 90 degree elbow directly off of the top of the appliance, the elbow heat shield must be repositioned as shown in Figure 9.2.

If venting vertically or using a straight section of vertical pipe, remove the elbow heat shield and discard by removing the two screws that secure the elbow heat shield to the top of the fireplace.

For all venting applications, ensure that the pipe gasket is in place before attaching any pipe section. This gasket is shipped in place around the starting collar. See Figure 9.2.

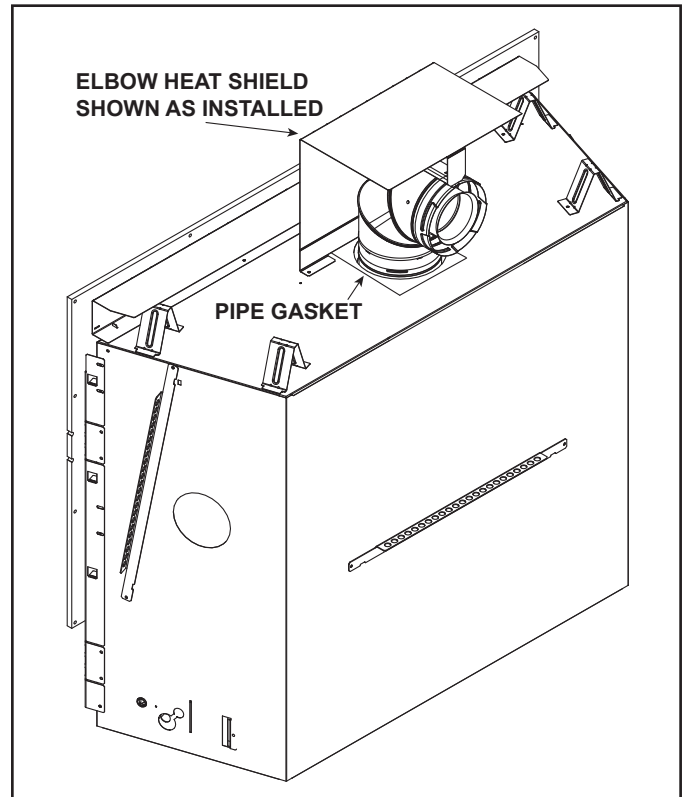


Figure 9.2 Elbow Shield Shown Installed

B. Securing and Leveling the Appliance

WARNING! Risk of Fire! Prevent contact with:

- Sagging or loose insulation
- Insulation backing or plastic
- Framing and other combustible materials

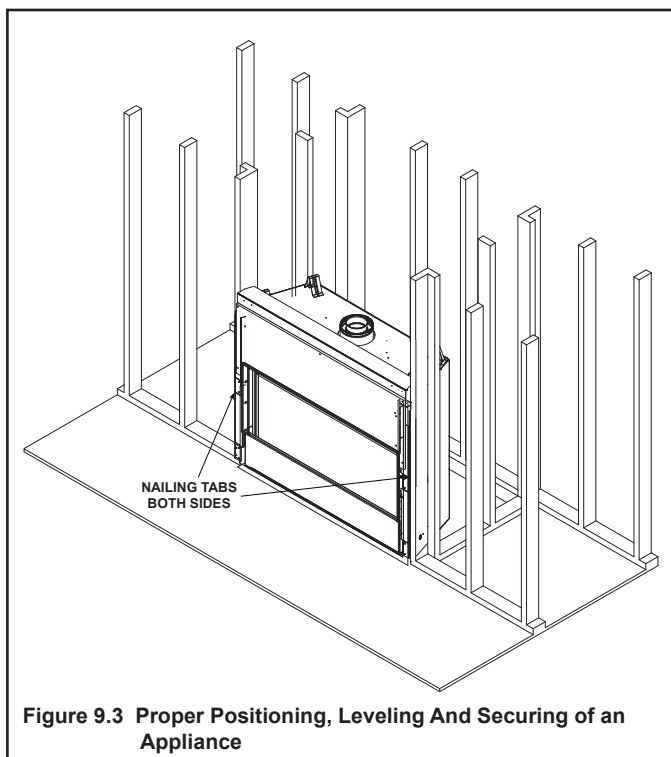
Block openings into the chase to prevent entry of blown-in insulation. Make sure insulation and other materials are secured.

DO NOT notch the framing around the appliance standoffs. Failure to maintain air space clearance may cause overheating and fire.

For details on setting the appliance in the framing, refer to section 13.A. The diagram shows how to properly position, level, and secure the appliance (see Figure 9.3). Nailing tabs are provided to secure the appliance to the framing members.

- Bend out nailing tabs on each side.
- Place the appliance into position.
- Keep nailing tabs flush with the framing.
- Level the appliance from side to side and front to back.
- Shim the appliance as necessary. It is acceptable to use wood shims underneath the appliance.
- Secure the appliance to the framing by using nails or screws through the nailing tabs.
- Secure the appliance to the floor by inserting two screws through the pilot holes at the bottom of the appliance.

Figure 9.3 shows the fireplace installed on the floor. However, this fireplace can be elevated off the floor provided that the fireplace is properly supported by framing materials and the ceiling clearances are maintained.

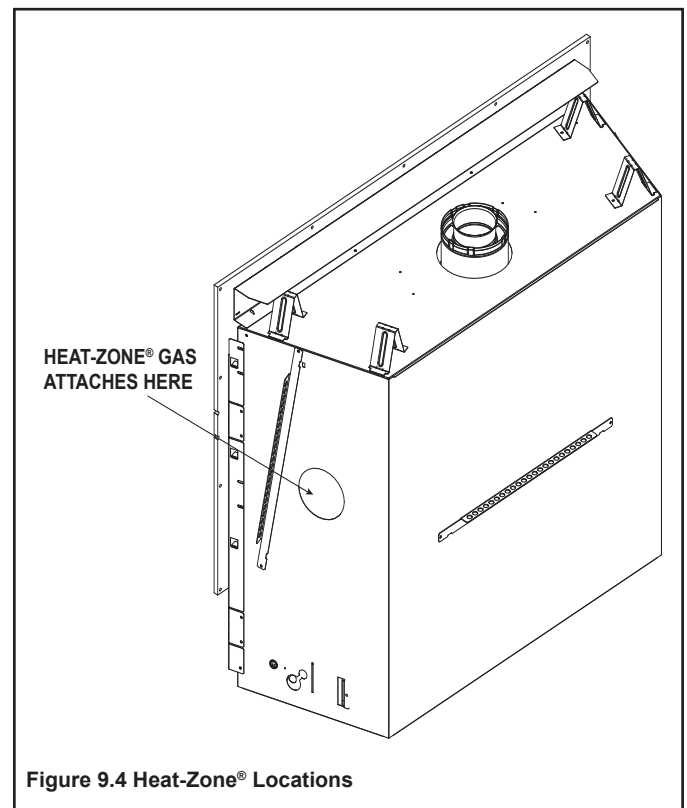


C. Installing the Optional Heat-Zone®-240V Kit

NOTICE: Additional clearance are required for Heat-Zone® installations. Provisions must be made in advance to ensure fit within the framing.

- Locate the Heat-Zone® ports on the left and right sides of the appliance. Either one or two Heat-Zones® may be installed. See Figure 9.4. Remove the knockouts from the appliance with a tin snips.
- Center the duct collar around the exposed hole and attach it to the appliance with 3 screws. Note: Do this BEFORE final positioning of the appliance.
- Determine the location for the air register/fan housing assembly.

Reference the Heat-Zone® Gas Kit instructions for the remaining installation steps.



10 Installing Vent Pipe (SLP Pipe)

A. Assemble Vent Sections

To attach the first vent component to the starting collars of the appliance:

- Lock the vent components into place by sliding the pipe section onto the collar.
- Align the seam of the pipe and seam of collar to allow engagement. Rotate the vent component to lock into place. Use this procedure for all vent components. See Figure 10.1.
- Slide the gasket over the first vent section and place it flush to the appliance. This will prevent cold air infiltration. High temperature caulk may be used to hold the part in place.
- Continue adding vent components, locking each succeeding component into place.
- Ensure that each succeeding vent component is securely fitted and locked into the preceding component.

Commercial, Multi-family (Multi-level exceeding two stories), or High-Rise Applications

For Installation into a commercial, multi-family (multi-level exceeding two stories) or high-rise applications: All outer pipe joints must be sealed with high temperature silicone, including the slip section that connects directly to the horizontal termination cap.

- Apply a bead of silicone sealant (149 °C (300 °F) minimum continuous exposure rating) inside the female outer pipe joint prior to joining sections. See Figure 7.1. **OR**

Apply a bead of silicone sealant (149 °C (300 °F) minimum continuous exposure rating) to the outside of connecting joint after joining sections **OR**

Apply aluminum foil tape (149 °C (300 °F) minimum continuous exposure rating) to the outside of connecting joint after joining sections. On horizontal pipe runs, it is recommended that the tape seam is positioned on the bottom side of the vent pipe.

- Only outer pipes need to be sealed. All unit collar, pipe, slip section, elbow and cap outer flues shall be sealed in this manner, unless otherwise stated.

WARNING! Risk of Fire or Explosion! DO NOT break silicone seals on slip sections. Use care when removing termination cap from slip pipe. If slip section seals are broken during removal of the termination cap, vent may leak.

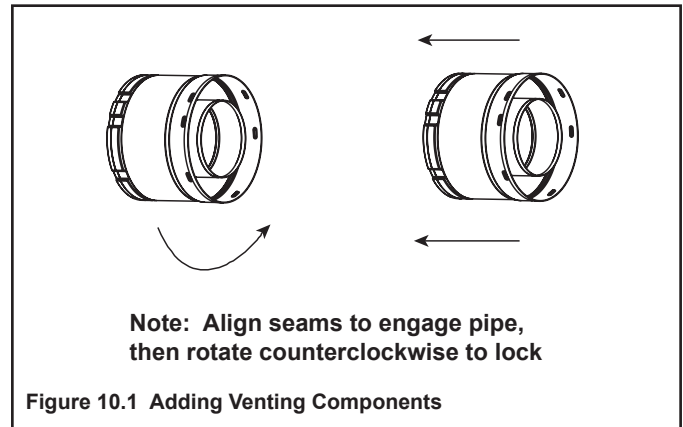


Figure 10.2 High Temperature Silicone Sealant

B. Assemble Slip Sections

- Slide the inner flue of the slip section into the inner flue of the pipe section and the outer flue of the slip section over the outer flue of the pipe section. See Figure 10.3.
- Slide together to the desired length.

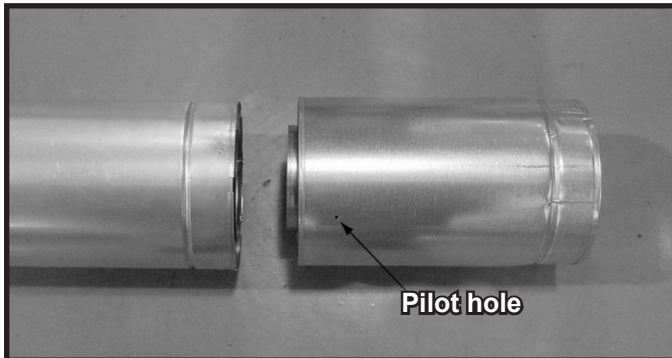


Figure 10.3 Slip Section Pilot Holes

- Maintain a 1-1/2 in. (38 mm) overlap between the slip section and the pipe section.
- Secure the pipe and slip section with two screws no longer than 1/2 in. (13 mm), using the pilot holes in the slip section. See Figure 10.4.

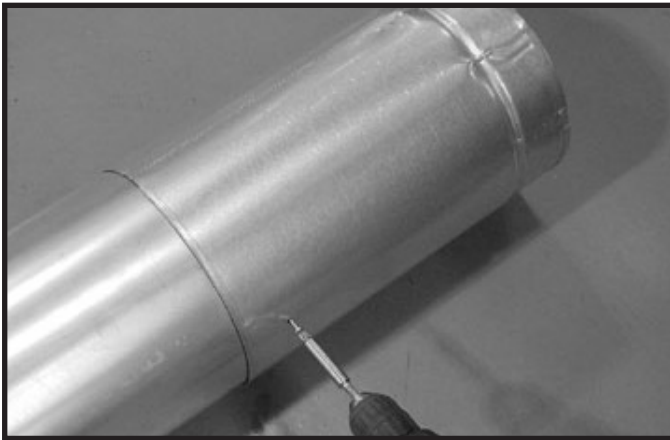


Figure 10.4 Screws into Slip Section

- Continue adding pipe as necessary following instructions in “Assembling Pipe Sections.”

NOTICE: If slip section is too long, the inner and outer flues of the slip section can be cut to the desired length.

NOTICE: When installing a vent system with an HRC termination cap, all pipe system joints shall be sealed using a high temperature silicone sealant.

- Apply a bead of silicone sealant inside the female outer pipe joint prior to joining sections.
- Only outer pipes are sealed, sealing the inner flue is not required.
- All unit collar, pipe, slip section, elbow and cap outer flues shall be sealed.

C. Secure The Vent Sections

- Vertical runs originating off the top of the appliance, with no offsets, must be supported every 8 ft. (2.44 m) after maximum allowed 25 ft. (7.62 m) of unsupported rise.
- Vertical runs originating off the rear of the appliance or after any elbow, must be supported every 8 ft. (2.44 m).
- Horizontal runs must be supported every 5 ft. (1.52 m).
- Vent supports or plumbers strap (spaced 120° apart) may be used to support. See Figures 10.5 and 10.6.
- Wall shield firestops may be used to provide horizontal support.
- Ceiling firestops have tabs that may be used to provide vertical support.

WARNING! Risk of Fire, Explosion or Asphyxiation! Improper support may allow vent to sag and separate. Use vent run supports and connect vent sections per installation instructions. **DO NOT** allow vent to sag below connection point to appliance.

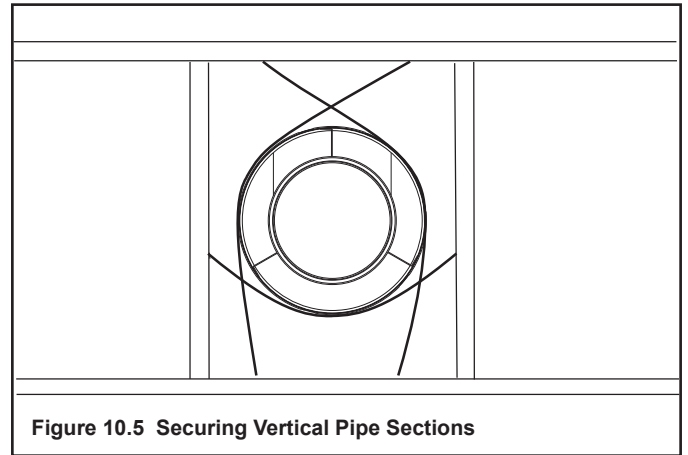


Figure 10.5 Securing Vertical Pipe Sections

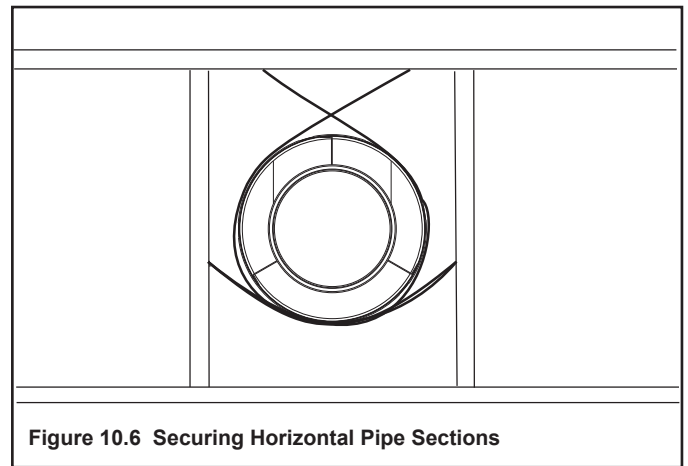


Figure 10.6 Securing Horizontal Pipe Sections

D. Disassemble Vent Sections

- Rotate either section (see Figure 10.7) so the seams on both pipe sections are aligned as shown in Figure 10.8.
- Pull carefully to separate the pieces of pipe.

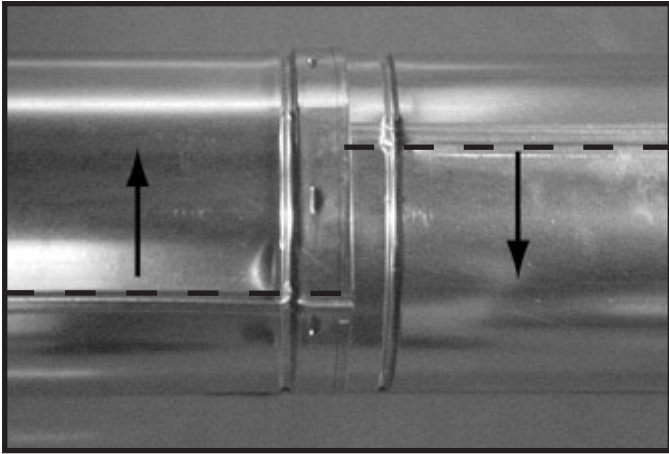


Figure 10.7 Rotate Seams for Disassembly

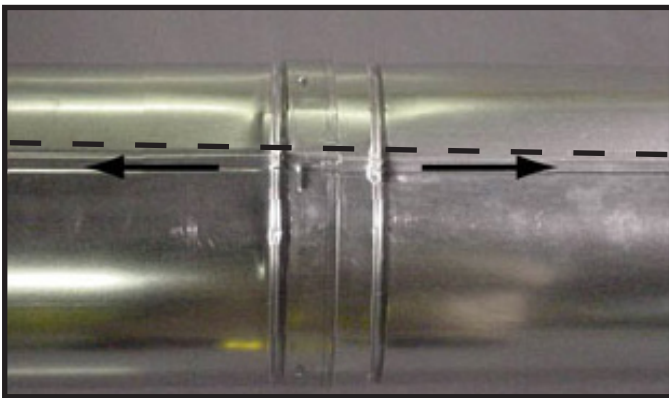


Figure 10.8 Align and Disassemble Vent Sections

E. Install Decorative Ceiling Components

A decorative ceiling thimble can be installed on a flat ceiling through which the vent passes. The decorative ceiling thimble is used to cover the firestop.

- Seal the gap between the vent pipe and firestop using high temperature silicone to prevent cold air infiltration.
- Install the decorative ceiling thimble by sliding it up to the ceiling and attaching it using the provided screws.

A decorative cathedral ceiling support box can be installed on a cathedral ceiling through which the vent passes.

- Use a plumb-bob to mark the center line of the venting system on the ceiling and drill a small hole through the ceiling and roof at this point. Locate the hole and mark the outline of the cathedral ceiling support box on the outside roof.
- Remove shingles or other roof covering as necessary to cut the rectangular hole for the support box. Cut the hole 3 mm larger than the support box outline.
- Lower the support box through the hole in the roof until its bottom is at least 2 in. (51 mm) below the ceiling (Figure 10.9).

- Level the support box both vertically and horizontally and temporarily tack it in place through the inside walls into the roof sheathing.
- Use tin snips to cut the support box from the top corners down to the roof line and fold the resulting flaps to the roof. See Figure 10.10.
- Nail the flaps to the roof AFTER running a bead of non hardening sealant between the flaps and the roof.

WARNING! Risk of Fire! Clean out ALL materials from inside the support box and complete the vertical vent run and termination.

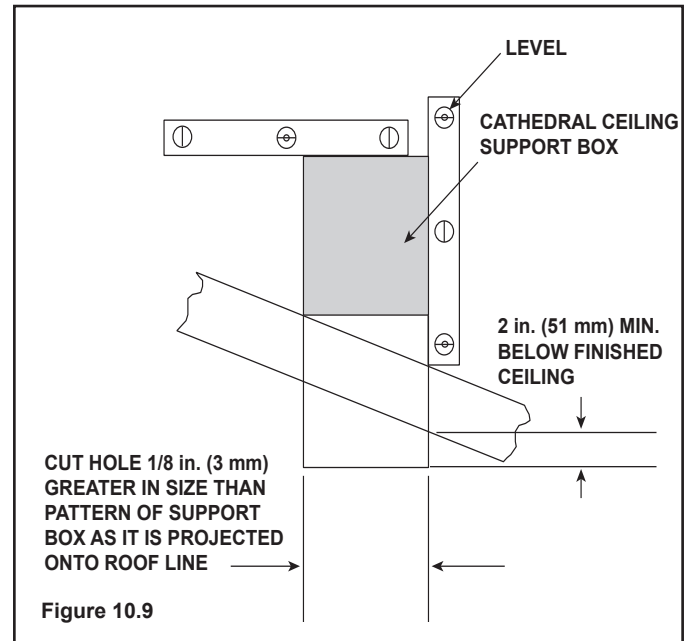


Figure 10.9

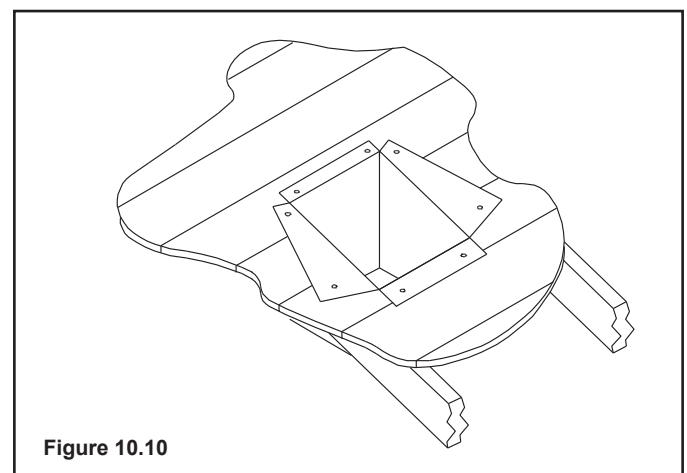
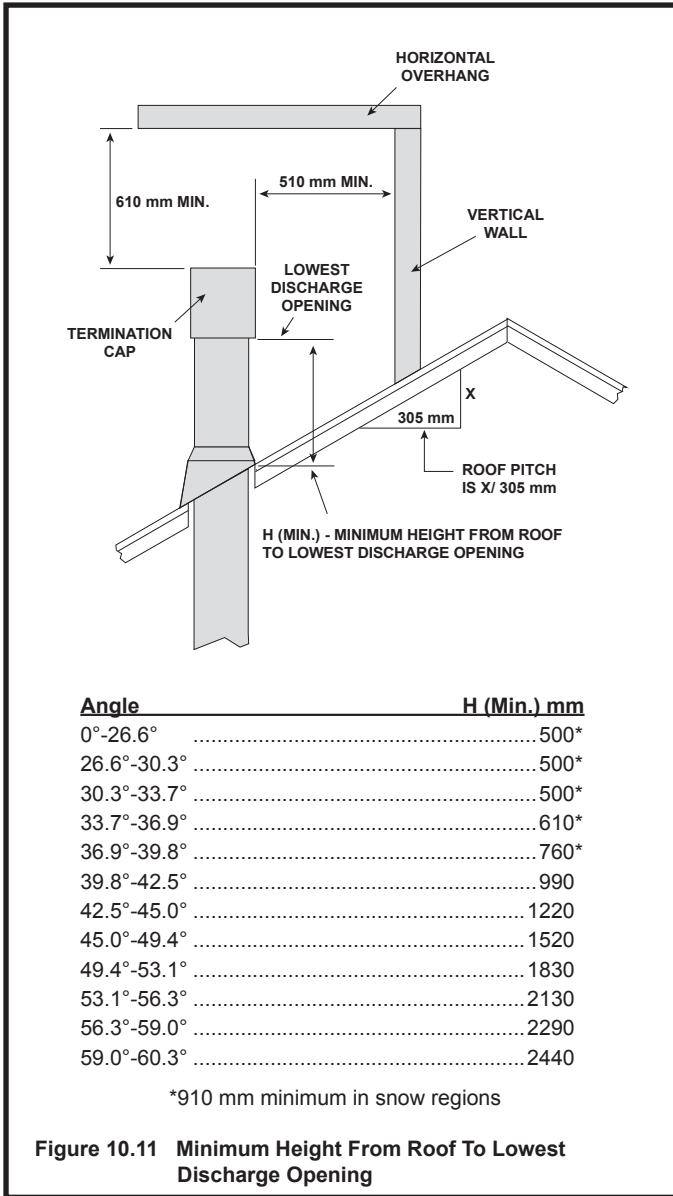


Figure 10.10

F. Install Metal Roof Flashing

- See minimum vent heights for various pitched roofs (Figure 10.11) to determine the length of pipe to extend through the roof.
- Slide the roof flashing over the pipe sections extending through the roof as shown in Figure 10.12.



NOTICE: Failure to properly caulk the roof flashing and pipe seams could cause water entry.

- Caulk the gap between the roof flashing and the outside diameter of the pipe.
- Caulk the perimeter of the flashing where it contacts the roof surface. See Figure 10.12.
- Caulk the overlap seam of any exposed pipe sections that are located above the roof line.

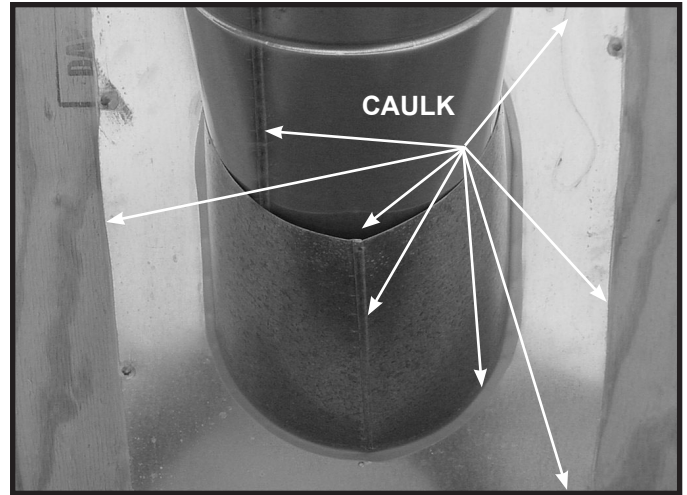


Figure 10.12

G. Assemble and Install Storm Collar

CAUTION! Risk of Cuts, Abrasions or Flying Debris. Wear protective gloves and safety glasses during installation. Sheet metal edges are sharp.

- Slide the storm collar onto the exposed pipe section and align brackets.
- Insert bolt (provided) through the brackets and install nut. Do not completely tighten.



Figure 10.13 Assembling the Storm Collar Around the Pipe

- Slide the assembled storm collar down the pipe section until it rests on the roof flashing. See Figure 10.13.
- Tighten nut and make sure the collar is tight against the pipe section.
- Caulk around the top of the storm collar (see Figure 10.13).

H. Install Vertical Termination Cap

- Attach the vertical termination cap by sliding the inner collar of the cap into the inner flue of the pipe section while placing the outer collar of the cap over the outer flue of the pipe section.
- Secure the cap by driving three self-tapping screws (supplied) through the pilot holes in the outer collar of the cap into the outer flue of the pipe (see Figure 10.14).

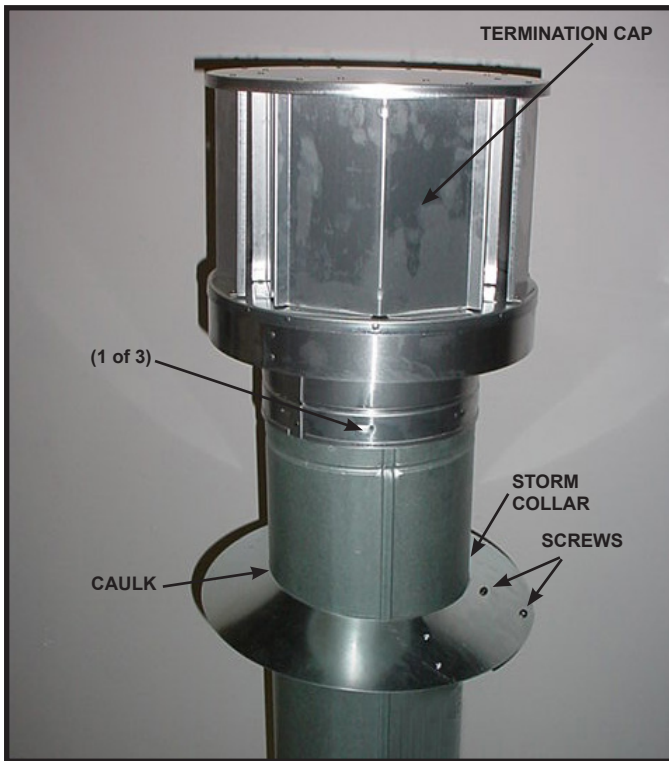


Figure 10.14

I. Install Decorative Wall Components

A decorative wall thimble can be installed on wall through which the vent passes. The decorative wall thimble is used to cover the firestop.

- Slide the decorative wall thimble over the last section of horizontal pipe before connecting the termination cap to the pipe.
- Once the pipe section and the termination cap have been connected, slide the wall thimble up to the interior wall surface and attach with screws provided. See Figure 10.15.

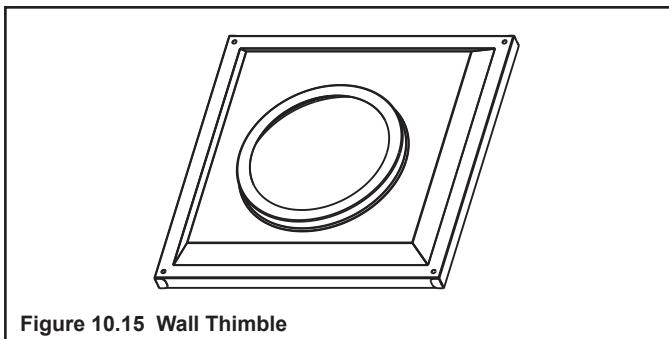


Figure 10.15 Wall Thimble

J. Heat Shield Requirements for Horizontal Termination

WARNING! Risk of Fire! To prevent overheating and fire, heat shields must extend through the entire wall thickness.

- **DO NOT** remove the heat shields attached to the wall shield firestop and the horizontal termination cap (shown in Figure 10.16).
- Heat shields must overlap 1-1/2 in. (38 mm) minimum.

There are two sections of the heat shield. One section is factory-attached to the wall shield firestop. The other section is factory-attached to the cap. See Figure 10.16.

If the wall thickness does not allow the required 1-1/2 in. (38 mm) heat shield overlap when installed, an extended heat shield must be used.

- If the wall thickness is less than 4-3/8 in. (111 mm) (SLP), the heat shields on the cap and wall shield firestop must be trimmed. A minimum 1-1/2 in. (38 mm) overlap **MUST** be maintained.
- Use an extended heat shield if the finished wall thickness is greater than 7-1/4 in. (184 mm).
- The extended heat shield may need to be cut to length maintaining sufficient length for a 1-1/2 in. (38 mm) overlap between heat shields.
- Attach the extended heat shield to either of the existing heat shields using the screws supplied with the extended heat shield. Refer to vent components diagrams in the back of this manual.
- Rest the small leg on the extended heat shield on top of the pipe section to properly space it from the pipe section.

Important Notice: Heat shields may not be field constructed.

K. Install Horizontal Termination Cap

WARNING! Risk of Fire! The telescoping flue section of the termination cap **MUST** be used when connecting vent.

- 1-1/2 in. (38 mm) minimum overlap of flue telescoping section is required.
- Failure to maintain overlap may cause overheating and fire.
- Vent termination must not be recessed in the wall. Siding may be brought to the edge of the cap base.
- Flash and seal as appropriate for siding material at outside edges of cap.
- When installing a horizontal termination cap, follow the cap location guidelines as prescribed by current local or national codes and refer to Section 6 of this manual.

CAUTION! Risk of Burns! Local codes may require installation of a cap shield to prevent anything or anyone from touching the hot cap.

Note: When using termination caps with factory-supplied heat shield attached, no additional wall shield firestop is required on the exterior side of a combustible wall.

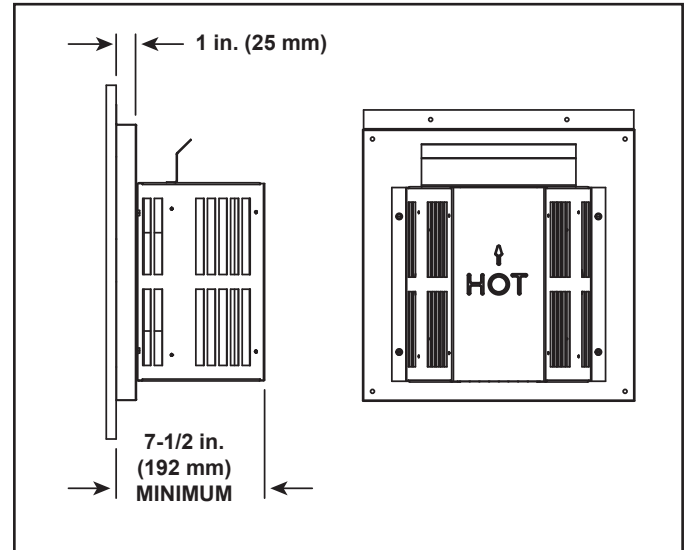


Figure 10.17 Termination Cap

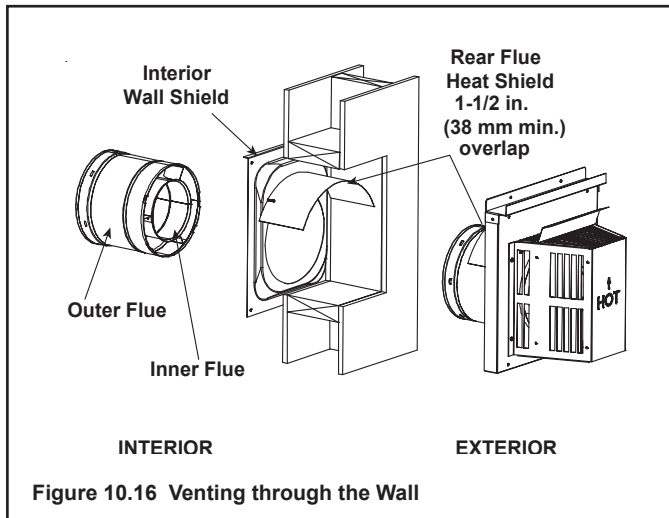


Figure 10.16 Venting through the Wall

- The termination kit should pass through the wall firestops from the exterior of the building.
- Adjust the termination cap to its final exterior position on the building and interlock the flue sections.

WARNING! Risk of Fire! the termination cap must be positioned so that the arrow is pointing up.

- Use a high-temperature sealant gasket to seal between the pipe and exterior firestop.

11 Gas Information

A. Gas Pressure Requirements

Pressure requirements for XLR-PLUS-AUB fireplaces are shown in Table 11.1 below.

Two taps are provided on the front face of the gas control for a test gauge connection to measure the inlet and outlet pressures. See Figure 11.1.

The fireplace and its individual shut-off valve must be disconnected from the gas supply piping system during any pressure testing of the system at test pressures in excess of 3.4 kPa.

If the fireplace must be isolated from the gas supply piping system by closing an individual shut-off valve, it must be of the handle-less type.

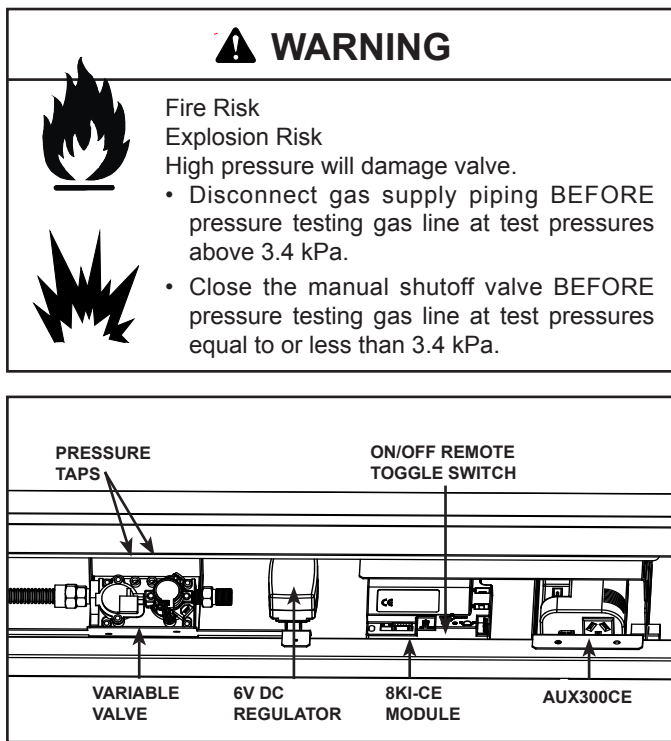


Figure 11.1. Valve Components

| | Natural Gas | Propane | ULPG |
|--------------------------------|------------------------|------------------------|------------------------|
| Inlet Gas Pressure | 1.13 - 3.40 kPa | 2.75 - 3.40 kPa | 2.75 - 3.40 kPa |
| Outlet (Manifold) Gas Pressure | .80 kPa | 2.36 kPa | 2.36 kPa |
| Gas Rate | .405 m ³ /h | .134 m ³ /h | .111 m ³ /h |
| Maximum Gas Consumption | 26 MJ/h | 25 MJ/h | 21 MJ/h |
| Burner Injector | DMS 42 (2.37 mm) | DMS .057 (1.450 mm) | DMS 55 (1.30) |
| Pilot Injector | Ø .023 (.584 mm) | Ø .014 (.356 mm) | Ø .014 (.356 mm) |

Columns highlighted in gray = The gas control valve supplied with this product is approved for a maximum inlet pressure of **3.40 kPa**. For pressures over **3.40 kPa**, an in line pressure regulator must be installed upstream from the gas control valve.

Table 11.1

B. Gas Connection

Note: Have the gas supply line installed in accordance with local building codes by a qualified installer approved and/or licensed as required by the locality.

Note: Before the first firing of the appliance, the gas supply line should be purged of any trapped air.

Note: Consult local building regulations to properly size the gas supply line leading to the (Rp 1/2 in.) hook-up at the unit.

Incoming gas line should be piped into the valve compartment and connected to the ISO 7-Rp 1/2 (BSP Rp 1/2) threaded gas inlet connection on the manual shutoff valve.

IMPORTANT NOTICE: (Items 1, 2 and 3 applies to ALL Heat & Glo gas appliances)

- 1/2 in. GAS LINE:** Run through cavity 70 mm above finished hearth level, **NOT RIGID, NOT CLIPPED**, with minimum 500 mm into cavity and 120 mm back from plaster face.
- PVC (COMPOSITE) GASLINE** must terminate minimum 500 mm short of gas heater. Copper pipe **MUST** be the final connection to the gas heater.
- ISOLATING SWITCH:** Location within 1 metre of fireplace, subject to mantelpiece etc. Check to ensure it remains clear of any mantelpiece installation.

Leak test all gas line points and the gas control valve prior to and after starting the gas appliance.

WARNING

CHECK FOR GAS LEAKS

Explosion Risk

Fire Risk

Asphyxiation Risk

- Check all fittings and connections.
- Do not use open flame.
- After the gas line installation is complete, all connections must be tightened and checked for leaks with a commercially-available, non-corrosive leak check solution. Be sure to rinse off all leak check solution following testing.

Fittings and connections may have loosened during shipping and handling.



Access Through the Valve Assembly

The lower access cover panel is removable if finishing material has not been previously installed.

Remove Media Tray, Burner Assembly, and Base pan.

To access components:

1. Remove eleven screws around perimeter of valve plate and one on the valve bracket that secure valve plate to the firebox bottom. See Figure 11.2.
2. Lift the valve plate from the back so that the gas valve can clear the valve plate hole in the bottom the firebox. See Figure 11.3.

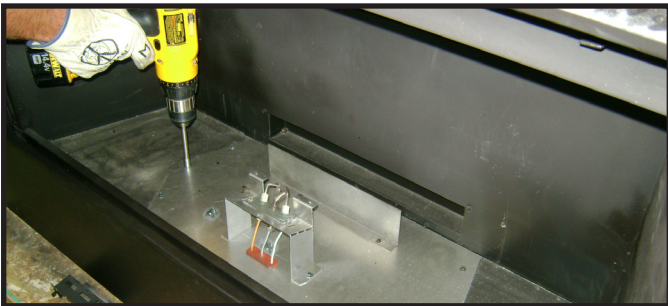


Figure 11.2. Remove Valve Plate Screws

3. Set the valve bracket on the front lip of the firebox bottom. Turn "off" the ball valve. Disconnect gas valve from the gas flex ball valve assembly at the pressure fitting. See Figure 11.4.



Figure 11.3. Remove Valve Plate

4. Lift the valve assembly up and out to make necessary service or repair.

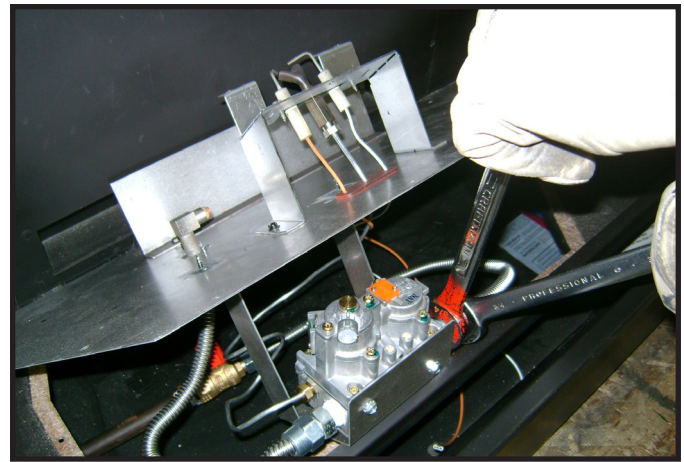


Figure 11.4. Disconnect Gas Valve

Valve Pressure Taps

The pressure taps are available through the front of the appliance. The decorative mesh front and fireplace gas assembly must be removed to gain access to the pressure taps.

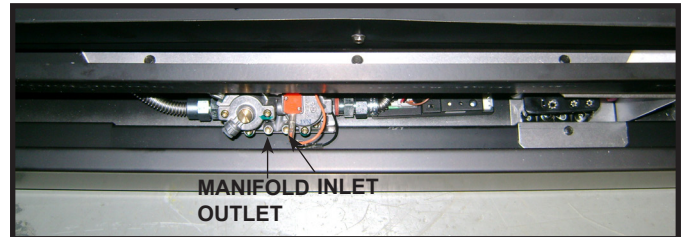


Figure 11.5. Pressure Taps

Note: The manifold and inlet pressure tabs can be accessed from the front of the fireplace, this requires the decorative front and fixed glass assembly to be removed (see Figure 11.5). The manifold and inlet pressure tabs can also be accessed by removing the valve assembly (see Figure 11.4).

C. High Altitude Installations

NOTICE: If the heating value of the gas has been reduced, these rules do not apply. Check with your local gas utility or authorities having jurisdiction.

When installing above 2000 ft. (610 m) elevation:

Reduce burner orifice 4% for each 1000 ft. (305 m) above 2000 (610 m).

12 Electrical Information

A. Wiring Requirements

NOTICE: This appliance must be installed by a qualified electrician in accordance with the relevant national and local regulations.

- Wire the appliance junction cord to 220/240 VAC. This is required for proper operation of the appliance.

WARNING! Risk of Shock or Explosion! DO NOT wire 220/240 VAC to the valve or to the appliance wall switch. Incorrect wiring will damage controls.

NOTICE: The mains supply to the appliance must have isolation of a minimum 1/8 in. (3 mm) contact separation in both poles.

WARNING! Risk of Injury! The gas supply shall be shut off prior to disconnecting the electrical power and removing batteries (if installed) before proceeding with any maintenance to the appliance.

B. IntelliFire™ Plus Ignition System Wiring

- Wire the appliance junction cord to 220/240 VAC for proper operation of the appliance.

WARNING! Risk of Shock or Explosion! DO NOT wire IPI controlled appliance junction cord to a switched circuit. Incorrect wiring will override IPI safety lockout.

- Refer to Figure 12.1, IntelliFire™ Plus Pilot Ignition (IPI) Wiring Diagram.

- This appliance is equipped with an IntelliFire™ Plus control valve which operates on a 6 volt system.
- For units installed in Australia, the residence's 220/240 wall outlet to which this appliance's power cord is connected, must be wired to an in-line on/off switch. This is required for servicing and/or resetting the control module in the event of a control module LOCK-OUT.
- Plug the 6-volt AC power supply into the appliance junction cord to supply power to the unit.

C. Optional Accessories Requirements

- This appliance may be used with a wall switch, wall mounted thermostat and/or a remote control, and module reset switch.

Wiring for optional Hearth & Home Technologies approved accessories should be done now to avoid reconstruction. Follow instructions that come with those accessories.

Optional Remote Control Receiver Location

The control module and remote control receiver can be accessed through the air space between the firebox front and the lower-front finishing cover panel. The decorative front and glass assembly must be removed to access these components.

The IPI control module and the remote control receiver are placed on the firebox bottom.

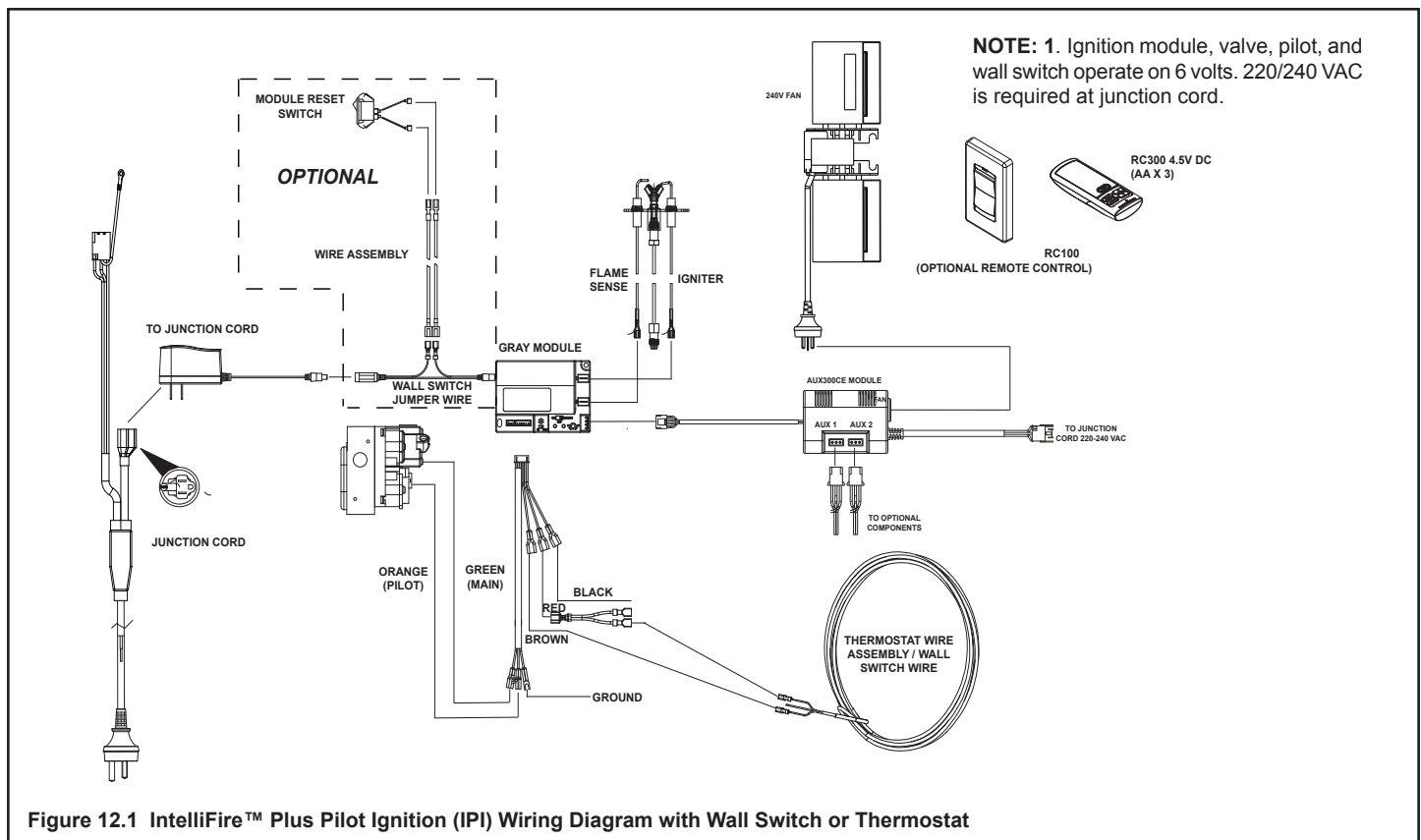


Figure 12.1 IntelliFire™ Plus Pilot Ignition (IPI) Wiring Diagram with Wall Switch or Thermostat

D. Junction Cord Information

The junction cord is installed at the factory. Refer to Figure 12.2 and 12.3. for more information.

Note: There is an alternative access to the junction cord. This can be accessed by removing the valve assembly. See Figures 11.2 and 11.3.

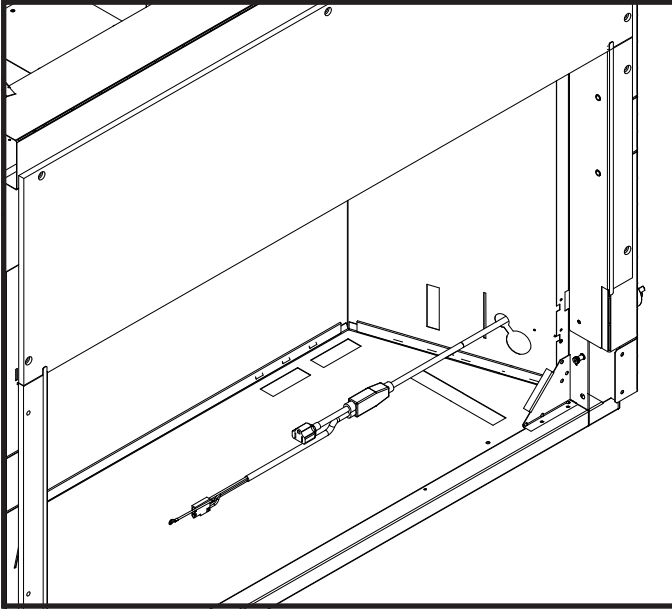


Figure 12.2. Junction Cord Information

E. Electrical Service and Repair

WARNING! Risk of Shock! Label all wires prior to disconnection when servicing controls. Wiring errors can cause improper and dangerous operation. Verify proper operation after servicing.

WARNING! Risk of Shock! Replace damaged wire with type 105 °C (221 °F) rated wire. Wire must have high temperature insulation.

F. Blower

These heaters have a factory-installed fan and electrical junction cord. These components are located behind the lower door.

Use of the fan requires that the Junction cord (factory installed) be connected to 220/240 VAC service before permanently enclosing the heater. The service cord is found on the right exterior side of the unit. See Figure 12.3 for wire connection detail.

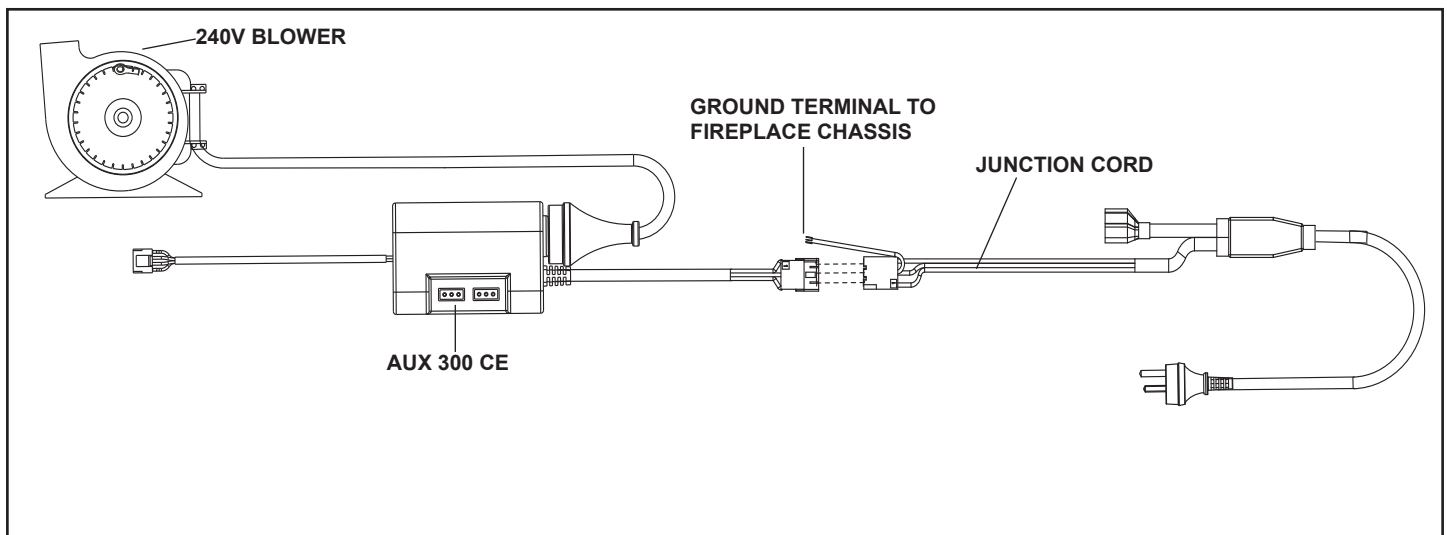


Figure 12.3 Blower Circuit-

G. Control Module Operation

1. The control module has an ON/OFF/REMOTE selector switch that must be set. See Figure 12.4.

OFF Position: Appliance will ignore all power inputs and will not respond to any commands from a wall switch or remote. The unit should be in the OFF position during installation, service, battery installation, fuel conversion, and in the event that the control goes into LOCK-OUT mode as a result of an error code.

ON Position: Appliance will ignite and run continuously in the HI flame setting, with no adjustment in flame output. This mode of operation is primarily used for initial installation or power outage operation with battery backup.

REMOTE Position: Appliance will initiate commands from an optional wired wall switch and/or the wireless remote (RC300AU).

2. If using a wired wall switch with the module in REMOTE mode, the flame output can be adjusted with the HI/LO selector switch on the module. See Figure 12.3. Note that the flame HI/LO selector switch will become inactive once an optional remote control (RC300AU) is programmed to the control module. Note that the control module will always ignite the fireplace on HI and remain so for the initial 10 seconds of operation. If the HI/LO is switched to the LO position, the flame output will automatically drop to the lowest setting after the flame has been established for 10 sec. After this 10 second period, the flame can be adjusted from HI to LO with the switch.
3. The control module has safety feature that automatically shuts down the fireplace after 9 hours of continuous operation without receiving a command from the RC300AU remote.
4. If you intend to use both an optional wired wall switch and the RC300AU remote control to operate your fireplace, the wall switch will override any commands given by the remote.
5. The module has the capability to recognize potential malfunctions. If these occur, it will fail to ignite and/or respond to a command to ignite via the wall switch and/or remote. In this case, the module may have gone into LOCK-OUT mode. In this state, it will emit a LED error code. To reset the error code, switch the selector to OFF, and then back to REMOTE or ON. If the ignition command again fails, the module will emit an LED error code, prior to going back into LOCK-OUT mode. Contact your dealer for service if this occurs.

Note: If the module is in LOCK-OUT mode, resetting the circuit breaker to the appliance will also reset the module.

Note: For units installed in Australia, the residence's 220/240 wall outlet to which this appliance's power cord is connected, must be wired to an in-line on/off switch. This is required for servicing and/or resetting the control module in the event of a control module LOCK-OUT.

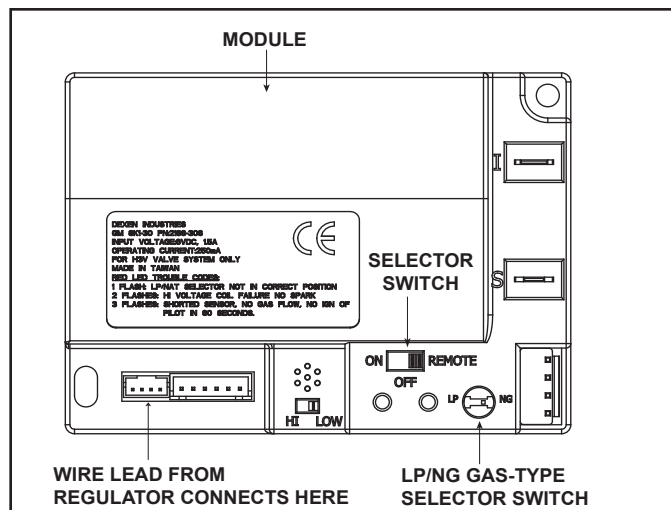


Figure 12.4 Control Module

Hearth & Home Technologies disclaims any responsibility for, and the warranty will be voided by, the following actions:

- Installation and use of any damaged system component.
- Modification of the system component.
- Installation other than as instructed by Hearth & Home Technologies.
- Installation and/or use of any component part not approved by Hearth & Home Technologies.

Any such action may cause a fire hazard.

- Read, understand and follow these instructions for safe installation and operation.

Fireplace Specific Information

Standard fireplace features vary. Consult the installation manual for available options.

The included **AUX300CE** receiver provides additional features: Fan control and two Aux functions.

The **REM300-HNG-AU** remote control system functions include: On/Off, Thermostat Mode, Timer Countdown, and Flame Adjustment (for fireplaces with variable flame).

Kit Contents

REM300-HNG-AU

- REM300-HNG-AU Transmitter
- AAA Batteries (3)
- Wall Holder
- Drywall Anchor (2)
- Screws (2)

Introduction

The RC300AU multifunctional remote control is designed to control pilot light, flame height, blower speed, and up to two 220/240VAC auxiliary functions on your gas fireplace. The RC300AU is equipped with thermostat functions which can automatically control the temperature in the room in which it is installed. The control is only for use with the Hearth & Home Technologies IntelliFire™ Plus system (IPI). The AUX300CE module is rated for 220/240VAC, 50-60 Hz, and is required for operation of this remote control device.

Installation Precautions

The installation of this remote control must be performed by a qualified service technician. This remote control is tested and safe when installed in accordance with this installation manual. Do not install any components that may be damaged.

Do not modify, disassemble, or substitute any of the components included with this kit. Installation of this unit must be done by a qualified service technician.

Placement of this remote control may affect performance. An assessment of the space should be done prior to installation for optimum performance.

Determine Location

Determine the location for the remote control. The selected location should be in the same space as the gas fireplace. Never place this unit in a separate room. The remote control must be placed within 30 ft. (9.14 m) of the fireplace but should not be exposed to extreme heat.

The RC300AU is approved for interior installation and should not be used in exterior applications.

- Keep remote control out of reach of children.

FCC Requirements

WARNING! Risk of Fire! Changes or modifications to this unit not expressly approved by the party responsible for compliance could void the user's authority to operate the equipment.

Note: This equipment has been tested and found to comply with the limits for a Class B digital device, pursuant to Part 15 of the FCC Rules and EN298 for multi-functional control. These limits are designed to provide reasonable protection against harmful interference in a residential installation. This equipment generates, uses, and can radiate radio frequency energy and, if not installed and used in accordance with the instructions, may cause harmful interference to radio communications. However, there is no guarantee that interference will not occur in a particular installation. If this equipment does cause harmful interference to radio or television reception, which can be determined by turning the equipment off and on, the user is encouraged to try to correct the interference by one or more of the following measures:

- Reorient or relocate the receiving antenna.
- Increase the separation between the equipment and receiver.
- Connect the equipment into an outlet on a circuit different from that to which the receiver is connected.
- Contact the dealer or an experienced radio TV technician for help.

Changing Temperature Scale

To change the temperature display between Celsius and Fahrenheit, remove the battery cover from the back of the remote control and slide the switch to your desired temperature scale (see Figure 12.5). The screen will automatically change the indicators on the room temperature and set temperature portion.

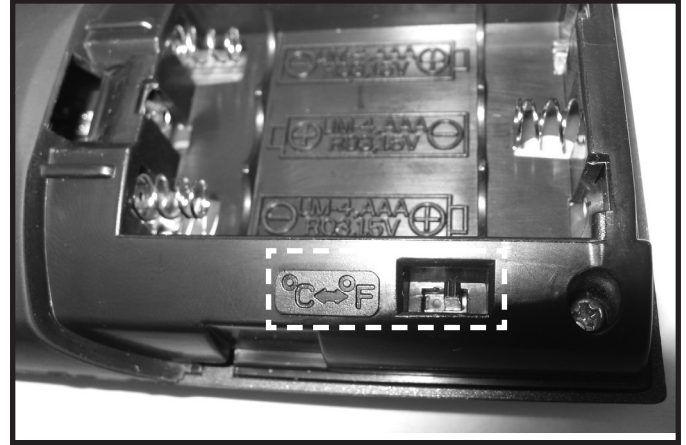


Figure 12.5 Temperature Scale

Installation of Remote Control Housing

CAUTION! Risk of Fire! DO NOT install damaged or modified components. Warranty will be voided if damaged or modified components are installed.

1. Remove remote control components from packaging.
2. Remove battery cover from the back of the remote by sliding it down and install 3 AAA batteries.

To prevent unintended operation when not using your fireplace for an extended period of time (summer months, vacation, trips, etc):

- Remove batteries from remote control.
 - Unplug switching adapter and remove back-up batteries.
3. Secure the remote control housing on a flat wall surface using the two screws and wall anchors provided. See Figure 12.6.

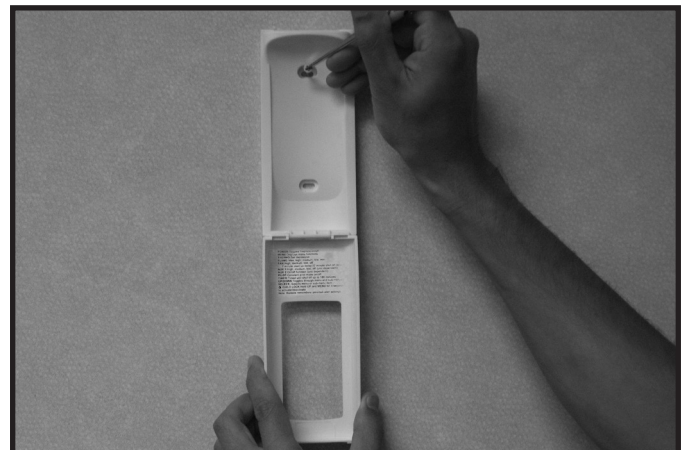


Figure 12.6 Mounting Remote Control Housing

4. Place remote control inside housing. See Figure 12.7.



Figure 12.7 Remote in Housing

5. Close the housing door. See Figure 12.8.



Figure 12.8 Mounting Remote Control Housing

AUX300CE Module Installation

- Insert the 4 hole harness from the AUX300CE module into the 4 pin plug on the control module. See Figure 12.9.

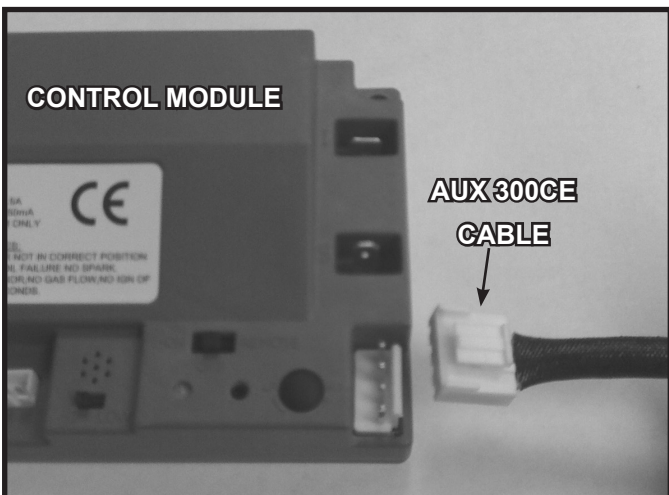


Figure 12.9 AUX 300 module installation

Fan Installation

- Insert the 3 prong plug from the fan into the receptacle located in the AUX300CE module. See Figure 12.10.
- Insert 3 prong plug from AUX300CE module into REM/AUX receptacle of fireplace junction cord.

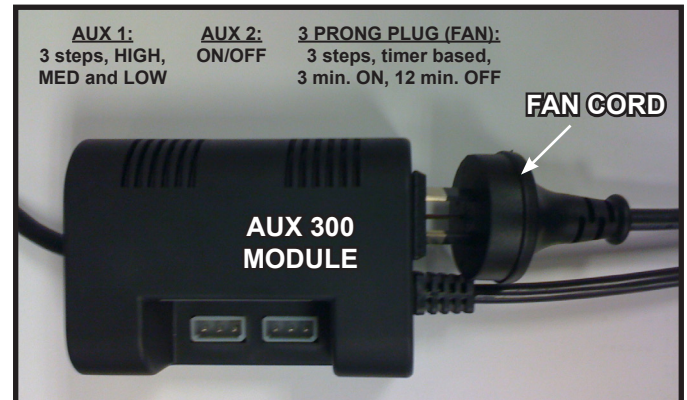


Figure 12.10 Plug Fan into AUX300CE Module

Programming the RC300AU to the Control Module

CAUTION! Risk of burns! DO NOT program the remote control to the control module when fireplace is hot.

- Verify the ON/OFF/REMOTE switch is in the REMOTE position. Green LED light will blink three times and the control module will beep once 5 seconds later when ready. See Figure 12.4.
- Using a small item (such as a paper clip) press and release the LEARN button located near the ON/OFF/REMOTE switch. See Figure 12.11.
- Control module will beep once and LED will blink green for 10 seconds.
- While the LED is blinking, press the POWER button on the remote control. A double beep will come out of the control module to indicate that it has been programmed successfully.

NOTICE: Up to three remote controls can be programmed into the control module. Simply press a button on the other remote controls during the 10 second programming process to add another remote into the system. It is recommended to program only one RC300AU remote control.

To clear memory in the control module, use a small item (such as a paper clip) to press and release the LEARN button. Control module will beep once and LED will blink green for 10 seconds **DO NOT** press any buttons on the remote during the ten seconds that the green LED blinks. The memory will be cleared. Note that the RC300AU will not be programmed if it's in STANDBY mode. Press the ON/OFF button twice to switch to IDLE mode.

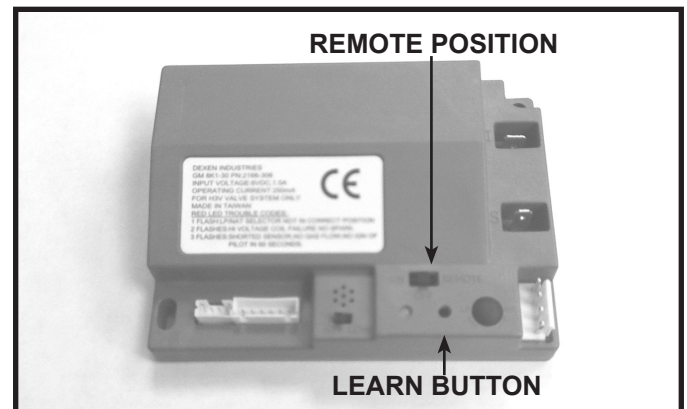
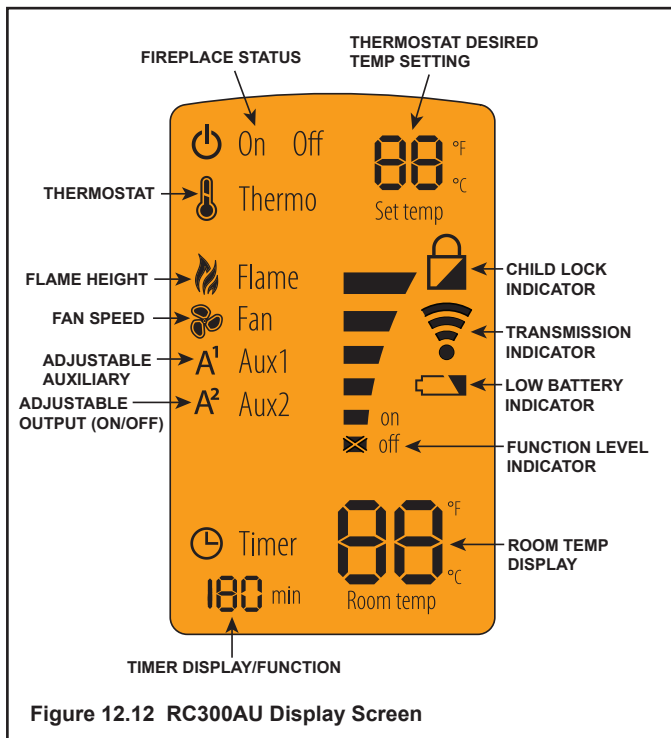


Figure 12.11 Programming RC300AU

Display Screen



Function Buttons

- POWER** Use POWER button to turn the unit on and off.
- Menu** Use MENU button to display the menu functions. Only functions that can be activated will be displayed. *For example: Flame Height will not be displayed when the remote status is OFF.*
- Select** Use the SELECT button to select the current feature.
- UP** Use the UP and DOWN arrows to toggle through the menu functions and value selections in the submenus.
- DOWN**

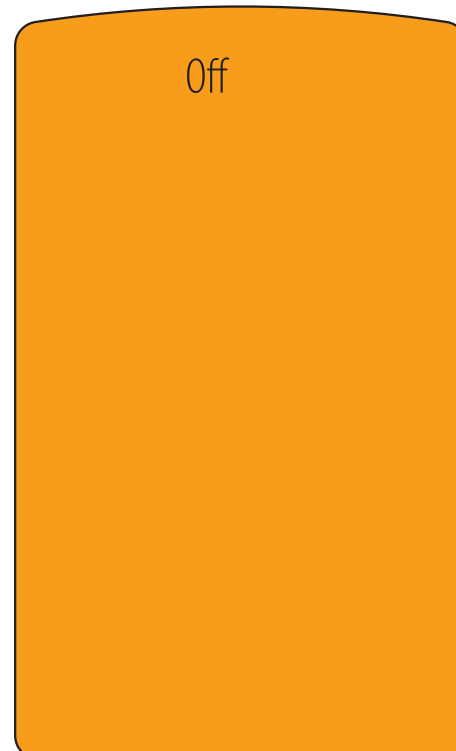
Idle When Remote is in ON Mode

The remote control will go into an idle mode if no buttons are pressed within 5 seconds. Press any button to resume full functionality. In idle mode only active functions will show on the screen.



Standby mode

The remote control will go into a standby mode if no buttons are pressed within 5 minutes. Press the POWER button to reactivate the remote control to ON mode. Active functions will be displayed



About ON Mode

- All functions can be accessed when the remote control is in the ON mode.
- Only active functions will be displayed when the remote control is in the ON mode. For example: if the fan is the only function that's active, the fan icon and flame will be the only icon shown in the display.

About OFF Mode

Only the following functions can be accessed in the OFF mode:

- AUX1
- AUX2

Only active functions will be displayed when the remote control is in the OFF mode.

Turning ON the Fireplace

- Press the **POWER** button to turn the fireplace ON. The fireplace will first ignite the pilot. Once the pilot flame is established the main burner will be lit.

NOTICE: Whenever the fireplace is cycled from OFF to ON, the main burner will light on high for 10 seconds before returning to the previous user setting.

Adjusting Flame Height

- Press the **MENU** button to activate the menu.
- Using the **UP** and **DOWN** arrows highlight the **FLAME** icon and press **SELECT**.
- Use the **UP** and **DOWN** arrows to adjust the **FLAME HEIGHT**, then press **SELECT**. The **FLAME HEIGHT** can be adjusted to 5 different settings.

NOTICE: FLAME HEIGHT will not be adjustable for first ten seconds when fireplace is turned on.

NOTICE: The system will remember the previous FLAME HEIGHT setting and will automatically adjust after 10 seconds.

Adjusting Fan Speed

- Press the **MENU** button to activate the menu.
- Using the **UP** and **DOWN** arrows highlight the **FAN** icon and press **SELECT**.
- Use the **UP** and **DOWN** arrows to adjust the **FAN SPEED**, then press **SELECT**. The **FAN SPEED** can be adjusted to 3 different settings: HIGH, MEDIUM, LOW.

NOTICE: The fan has a timer built into the control module. After the fireplace is turned ON the timer will wait for 3 minutes before turning on the fan. In addition, the fan will remain on for 12 minutes after the fireplace has been turned OFF.

NOTICE: Whenever the fan is turned ON, the FAN will start up on the high setting for 10 seconds before adjusting to the previous user setting.

AUX1 Function (Unit dependent Function)

- Press the **MENU** button to activate the menu.
- Using the **UP** and **DOWN** arrows highlight the **AUX1** icon and press **SELECT**.
- Use the **UP** and **DOWN** arrows to adjust the **AUX1** output, then press **SELECT**. The **AUX1** function can be adjusted to 4 different settings: HI, MED, LOW and OFF.

AUX2 Function (Unit dependent Function)

- Press the **MENU** button to activate the menu.
- Using the **UP** and **DOWN** arrows highlight the **AUX2** icon and press **SELECT**.
- Use the **UP** and **DOWN** arrows to turn the **AUX2 ON** or **OFF**, then press **SELECT**. The **AUX2** function can be either be turned **ON** or **OFF**.

NOTICE: When the fireplace is turned OFF both AUX1 and AUX2 will be turned off. The AUX1 and AUX2 functions can be activated from the remote's OFF mode, when the flame is off. When the fireplace is turned back ON, the AUX1 and AUX2 settings will be restored to the previous setting.

Adjusting Thermostat

- Press the **MENU** button to activate the menu.
- Using the **UP** and **DOWN** arrows highlight the **THERMO** icon and press **SELECT**.
- Use the **UP** and **DOWN** arrows to turn the **THERMO ON** or **OFF**, then press **SELECT** (the **SET TEMP** will start blinking). Using the **UP** and **DOWN** arrows select the desired temperature and press **SELECT**.

NOTICE: If the *THERMO* function is on, the *SET TEMP* can be adjusted at any time by pressing the *UP* and *DOWN* arrows.

NOTICE: As the *ROOM TEMP (RT)* approaches *SET TEMP (ST)*, the remote system will automatically adjust the flame height. If the *RT* rises above *ST*, the fireplace will shut down the main burner. After this, the fireplace will turn back on after the *RT* drops below the *ST*.

NOTICE: The system will remember the previous *TEMPERATURE* setting when *THERMOSTAT* mode is cycled *ON* or *OFF*.

NOTICE: If your installation includes an optional wired *ON/OFF* wall switch, it should be in the *OFF* position when using the *RC300AU* in thermostat mode.

Adjusting Timer

- Press the **MENU** button to activate the menu.
- Using the **UP** and **DOWN** arrows highlight the **TIMER** icon and press **SELECT**.
- Use the **UP** and **DOWN** arrows to turn the **TIMER ON** or **OFF**, then press **SELECT**. Using the **UP** and **DOWN** arrows select the desired set time and press **SELECT**. Timer operates in increments of 15, 30, 45, 60, 90, 120 and 180 minutes.

Setting the Child Lock

- Press and hold the **MENU** and **UP** arrow buttons simultaneously for 4 seconds to enable or disable the child lock feature.

NOTICE: No functions will be usable until child lock feature is disabled.

Power Outage

- If fireplace battery backup system IS installed at time of power outage, fireplace operation will not be interrupted.
- If fireplace battery backup system IS NOT installed at time of power outage, fireplace will shut off. To resume fireplace operation, install battery backup.

NOTICE: Battery polarity must be correct or module damage will occur.

Manual Fireplace Shutoff

In the unlikely event that the remote wall switch malfunctions and will not turn off the fireplace, call your dealer for service assistance. In the meantime, you may choose one of the following actions to turn off the fireplace:

CAUTION! Risk of burns! Fireplace surfaces are hot when operating and during cool down. Use care and wear gloves when opening the front and accessing components inside the fireplace.

Check remote screen for battery level indicator, replace the batteries if low battery is indicated (See Figure 12.12).

Turn off the control module:

- Open or remove the decorative front to access the control module.
- Move switch to *OFF* (See Figure 12.10).

Disconnect power to the control module:

- Open or remove the decorative front to access power cord and/or back-up batteries.
- Unplug the control module and/or remove back-up batteries.

Shut off gas to the appliance:

- Open or remove the decorative front and locate the gas shut-off valve to the left of the gas control.
- Rotate the shut off valve 90 degrees to turn off gas supply.

Turn off power to the fireplace (if back-up batteries are not installed):

- Locate house circuit breaker for fireplace.
- Turn off the circuit breaker.

Frequently Asked Questions/Troubleshooting

| Symptom | Possible Cause | Corrective Action |
|---|--|---|
| Remote control will not transmit | Batteries | Verify batteries are functional and installed correctly. |
| | Remote control is in Child Lock mode | Disengage Child Lock mode. |
| | Buttons not being pressed firmly | Press button firmly for one to two seconds to ensure transmission to module. |
| Control module will not take commands from remote control | Control module is not in "REMOTE" mode | Ensure module switch is set to REMOTE. |
| | Control module and remote control are not programmed to each other | The control module will beep when it successfully receives a command. If it does not beep, clear module memory and reprogram the remote control. |
| | Control module is unplugged. In case of power outage, backup batteries are depleted or missing | If the transmission indicator comes on when power button is pressed, verify that the control module is plugged in the fireplace junction cord located in the controls area. Also verify that the batteries are installed in the battery pack. |
| Fan does not turn on when fireplace is started | Built in time delay | The fireplace must run for seven minutes in order for the fan to engage. |
| Fan does not turn off when fireplace turned off | Built in time delay | The fan will run for twelve minutes after the fireplace is turned off. |
| Fireplace shuts down after extended periods | Built-in timer | The fireplace will automatically shut down after nine hours of continuous operation if it does not receive a command from the remote. |
| Fireplace is on but will not shut off with the remote control | External wired wall switch | The fireplace cannot be turned off by remote if an external wired switch is installed and in the ON position. Turn external wall switch to OFF. |
| | Remote control or control module failure | At control module, turn off fireplace by sliding the ON/OFF/REMOTE switch to OFF. Warning! Risk of Burns! Fireplace is hot. Use caution when accessing module. |

13 Finishing

A. Framing and Finishing Instructions

WARNING! Risk of Fire! Comply with all minimum clearances to combustibles as specified. Framing closer than the minimums listed must be constructed entirely of noncombustible materials (i.e., steel studs, concrete board, etc.)

Finishing Instructions

It is important to follow the framing and finishing instructions to ensure proper placement of fireplace into the surrounding framing/finishing materials.

Wall sheathing materials 3/8 in. (10 mm) thick are specified in this installation manual to properly align with the factory-installed non-combustible material.

WARNING! Risk of Fire! DO NOT remove the factory-installed non-combustible board or cover it with combustible material, such as:

- Drywall (gypsum board)
- Plywood
- Materials that do not meet the ASTM E 136 Non-combustibility standard (below).

Removal of factory-installed, non-combustible board and/or use of materials not meeting the ASTM E 136 standard may cause fire.

NOTE: Unit must be installed (and gas connected) prior to plaster sheeting.

Non-Combustible Materials Specification

Material which will not ignite and burn. Such materials are those consisting entirely of steel, iron, brick, tile, concrete, slate, glass or plasters, or any combination thereof.

Materials that are reported as passing **ASTM E 136, Standard Test Method for Behavior of Materials in a Vertical Tube Furnace at 750 °C (1385 °F)** shall be considered non-combustible materials.

Setting the Fireplace into the Framing

Unlike many traditional, single-sided Heat & Glo fireplaces, this fireplace is recessed into surround framing. The left and right nailing tabs were designed so the fireplace is recessed to the correct location within the framing materials.

1. Bend two nailing tabs away from fireplace 180 degrees on both left and right nailing tabs. Do not adjust the column standoffs. See Figure 13.1.
2. Screw each nailing tab to the adjoining framing material. Ensure that the air space clearance is maintained on the sides of the fireplace. See Figure 13.2.

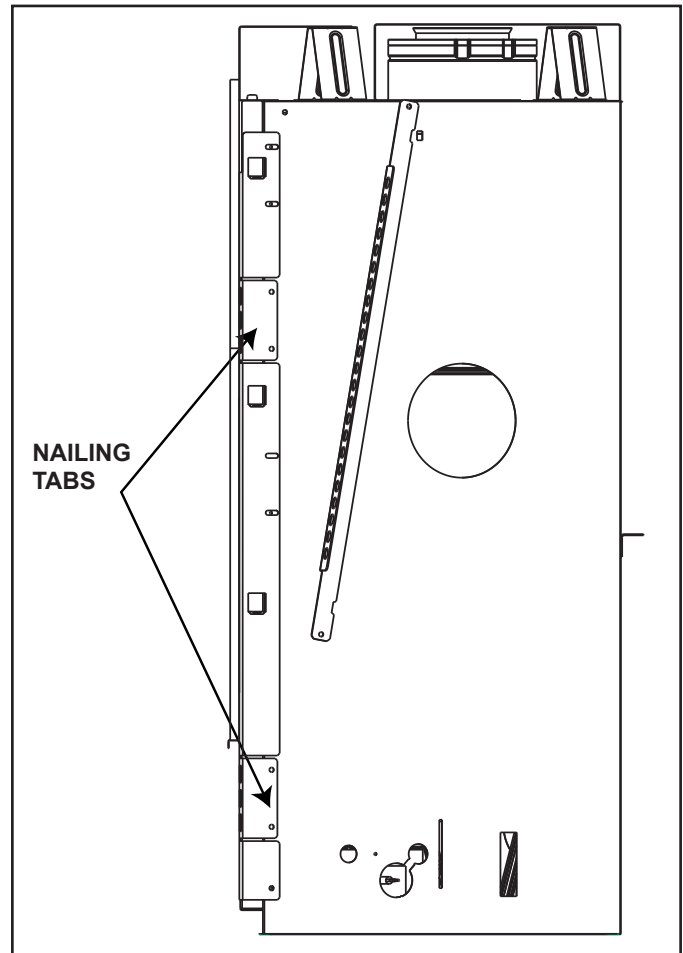


Figure 13.1 Nailing Tabs Installation Position

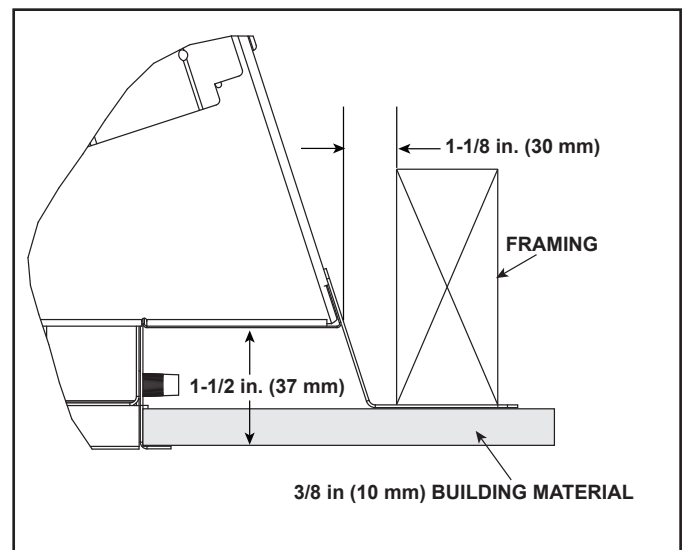


Figure 13.2 Front Side Finishing Detail

WARNING! Risk of Fire! Maintain specified air space clearances to combustibles.

Failure to comply with these instructions may cause a fire or cause the appliance to overheat.

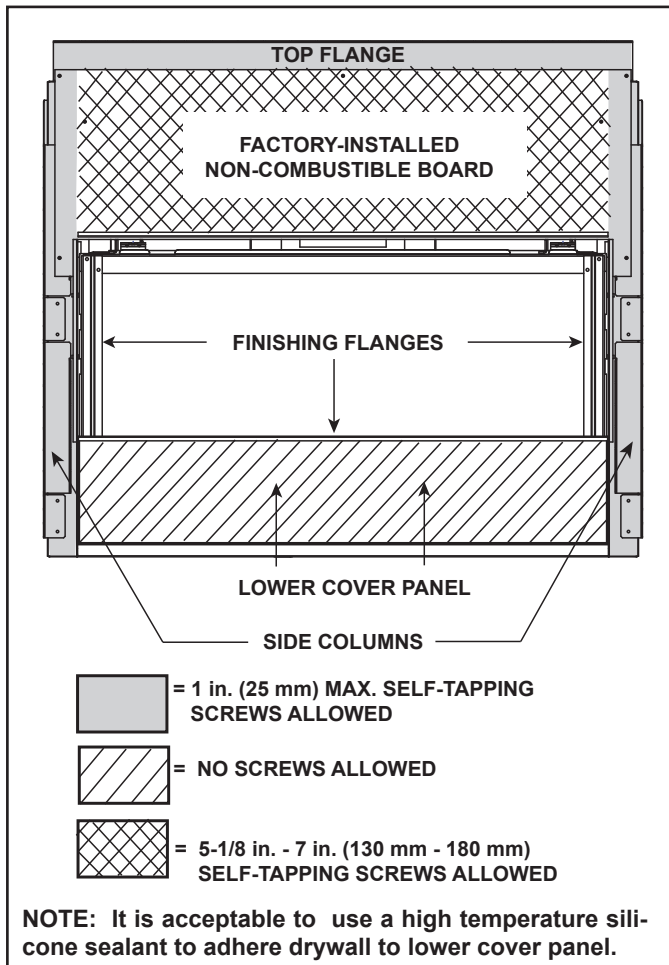


Figure 13.3 Finishing Details

Note: Refer to Section 13.C regarding installation details associated with the Inside and Overlap Fit methods.

CAUTION! Risk of Glass Damage and Cuts! DO NOT drill or install any type of screw or fastener into the lower cover panel. Sharp screw or fastener tips may penetrate and break the glass or cause cuts.

The XLR-PLUS-AUB must be finished using the Tonic decorative front. See Figure 13.12. The final fireplace installation can be accomplished by either the Overlap Fit or Inside Fit method. Reference Section 13.C regarding installation details associated with the Inside Fit and Overlap Fit methods.

It is acceptable to pre-drill holes and use self-tapped screws in the factory-installed non-combustible board to attach non-combustible backer board for tile, marble, etc. Refer to Figure 13.3 for acceptable screw location and screw length requirements.

Self-tapping screws up to 1 in. (25 mm) long can be installed through the nailing tab and outer 1-3/4 in. (45 mm) edges of the factory-installed non-combustible board to secure the drywall adjacent to the factory-installed non-combustible board. See Figure 13.3.

Do not drill or install screws which may penetrate the lower cover panel as this will restrict required access to the glass, battery-back-up, and remote receiver. See Figure 13.3.

The appliance is designed to accept 1/2 in. (13 mm) wall sheathing materials such as drywall, plywood, wood composites, or non-combustible materials. The type of material used depends whether the installation is an Inside or Overlap Fit Method. Refer to Section 13.C regarding installation details associated with the Inside an Overlap Fit methods.

The left/right sides and bottom of the fireplace opening utilize finishing flanges that will overlap the 3/8 in. (10 mm) wall sheathing. The 3/8 in. (10 mm) thick wall sheathing can be installed tight to the left, right, and bottom finishing flanges such that the rough edges of the sheathing are tucked behind the flanges when using the Overlap Method of finishing.

Note: Finishing materials are designed to overlap the outer edges of the finishing flanges up to the fireplace opening.

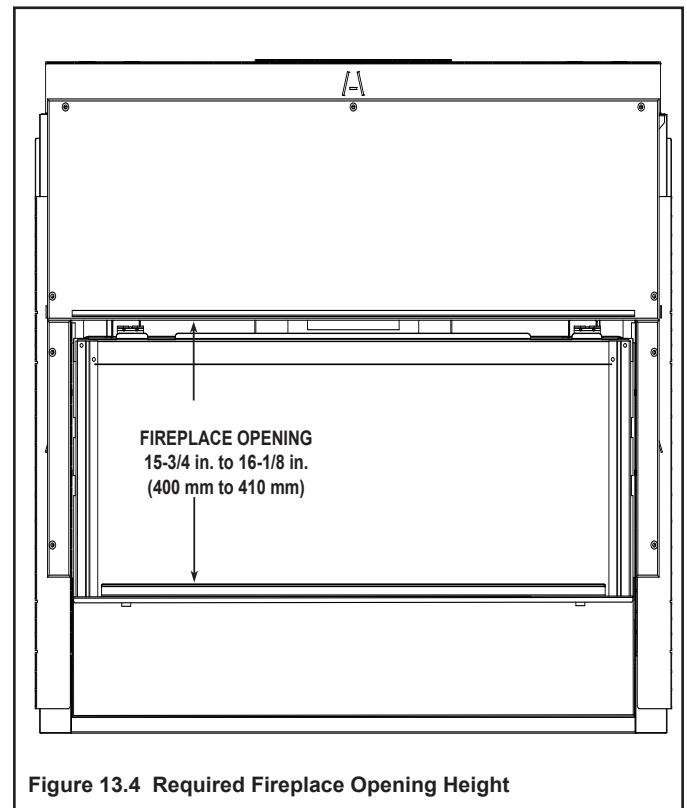


Figure 13.4 Required Fireplace Opening Height

Note: The lower cover panel must be pushed all the way down. The outer finishing flanges should line up. The fireplace opening must be between 15-3/4 in. (400 mm) and 16-1/8 in. (410 mm) for the decorative fronts to fit correctly. See Figure 13.4.

Finish and Sealing Joints

All joints between the finished wall sheathing and the appliance must be sealed with non-combustible materials. Sealants, such as caulk or mastic used to seal the gap between the wall and the fireplace, should be rated at a minimum continuous exposure to 149 °C (300 °F). Wall board joints can be taped and sealed with combustible drywall tape.

Finishing Around Opening with Gypsum Wallboard

Gypsum wallboard (drywall) joints adjacent to the fireplace opening require special attention to minimize potential development of cracking. Hearth and Home Technologies recommends the following steps to minimize potential cracks in the finished drywall around the fireplace opening:

- When installing gypsum wallboard around the fireplace, install the hole for the fireplace opening in a single wallboard sheet, if possible. This will minimize the joints adjacent to the fireplace opening.
- The factory-supplied non-combustible board and the gypsum wallboard must join on the structural framing, where applicable. Wallboard and non-combustible board should be fastened to the framing with at least 1-1/4 in. (32 mm) long screw fasteners, located within 1-1/2 in. (38 mm) from each corner, and at no more than 12 in. (305 mm) intervals along the joint length.
- The wall-board joints should be finished with a Taping Coat, followed by at least two subsequent Finish Coats of joint compound.
- For the initial Taping Coat, it is critical that a general-purpose chemically hardening joint compound, such as SHEETROCK™ Brand Durabond™ Setting-Type Joint Compound, be used to fill the joint and embed the mesh tape. Fiberglass-mesh tape is recommended because it will provide a more crack-resistant joint than one finished with paper tape. Let the Taping Coat properly cure before applying subsequent Finish Coats.
- For the second and third finishing coats, it is acceptable to use a light-weight joint compound and standard application, curing and sanding methods.
- Do not operate the fireplace during the drywall finishing process. Allow the finish coat to cure for at least 24 hours prior to using the appliance.

- Retain 1/2 in. (13 mm) clearance between plasterboard and vertical sides of unit. Butt join plasterboard and white insulation board at top of heater. USING ONLY FIBERGLASS TAPE finish insulation board to plasterboard as per normal plasterboard procedures. Ensure that top coat finish extends down to top of heater, as indicated in diagram below. Insulation board will remain exposed as part of the finished plaster face.

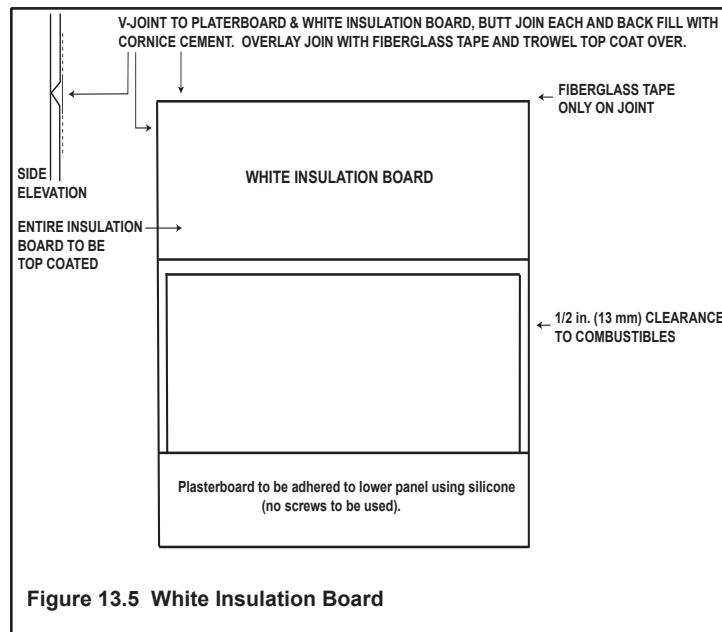


Figure 13.5 White Insulation Board

Gas Pipe Requirements

1. If polyethylene composite gas pipe is to be used, a clearance of 6 in. (150 mm) must be maintained from all flues.
2. Polyethylene composite gas pipe must not be used as the final connection onto the heater.
3. Leave a 40 in. (1 m) tail of 1/2 in. (13 mm) copper pipe.

Painting

If desired finishing includes a painted wall, 100% acrylic latex with compatible primer is recommended around the appliance. Oil-based or standard acrylic paints may discolor due to heat exposure.

Wallboard Joint-Crack Prevention and Repair

Wallboard joints around the fireplace will be affected by exposure to elevated temperatures, along with other environmental and structural factors. The specific methods presented in the previous section will help prevent or minimize development of cracks.

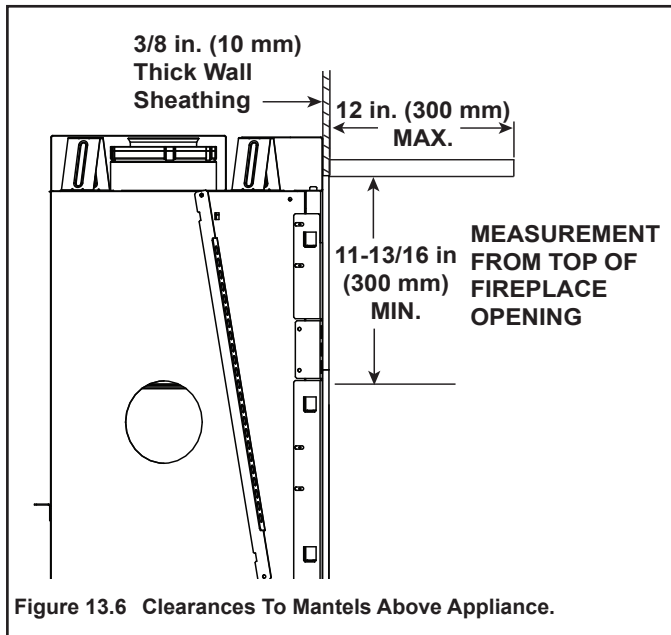
If a crack does emerge adjacent the fireplace, it can be permanently repaired by filling it with spackling paste or paintable latex caulk, followed by repainting.

B. Mantel and Wall Projections

WARNING! Risk of Fire! Comply with all minimum clearances to combustibles as specified. Framing closer than the minimums listed must be constructed entirely of noncombustible materials (i.e., steel studs, concrete board, etc.) Failure to comply could cause fire.

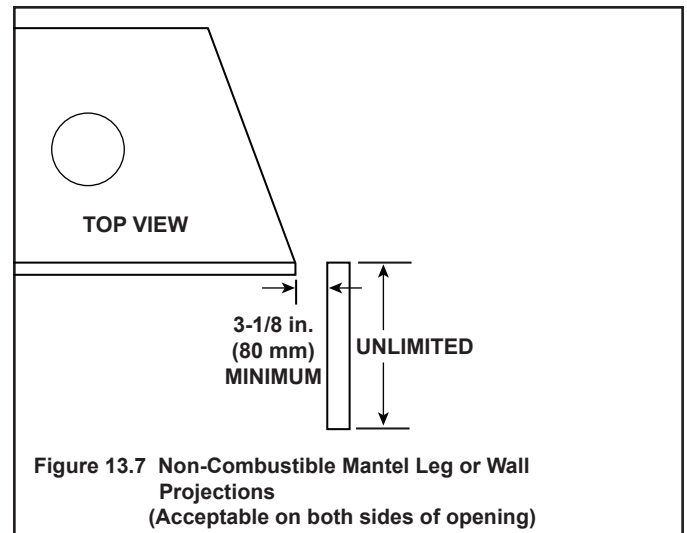
Note: For non-combustible fireplace finish material (marble, stone, etc) specifications refer to Section 13.C.

Mantels (Combustible/Non-Combustible)

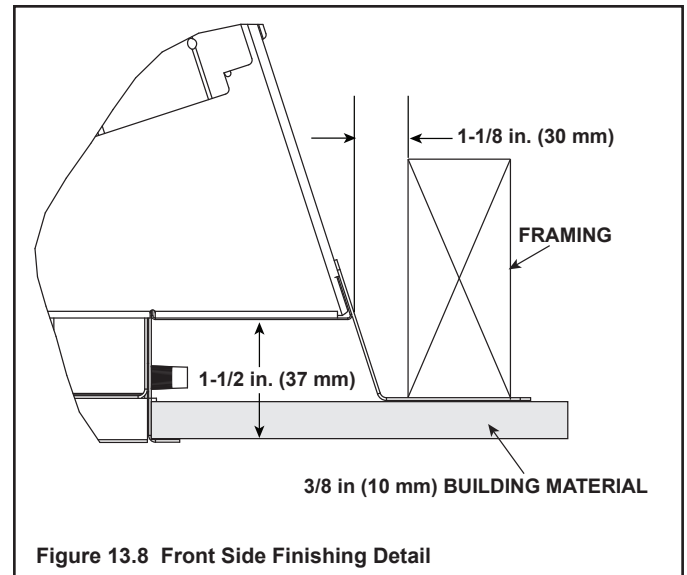


Note: For non-combustible fireplace finish material (marble, stone, etc) specifications refer to Section 13.C.

Mantel Leg (Combustible/Non-Combustible)



Front Side Finishing Detail



C. Facing Material

- Facing and/or finishing materials must not interfere with air flow through louvers, operation of louvers or doors, or access for service.
- Facing and/or finishing materials must never overhang into the glass opening.
- Observe all clearances when applying combustible materials.

WARNING! Risk of Fire! DO NOT apply combustible materials beyond the minimum clearances. Comply with all minimum clearances to combustibles as specified in this manual. Overlapping materials could ignite and will interfere with proper operation of doors and louvers.

WARNING! Risk of Fire! DO NOT install drywall or other combustible materials over the factory-installed non-combustible board. Overlapping materials could ignite.

Decorative facing material thickness is measured from the face of the factory-installed non-combustible board. See Figure 13.9 and Figure 13.11.

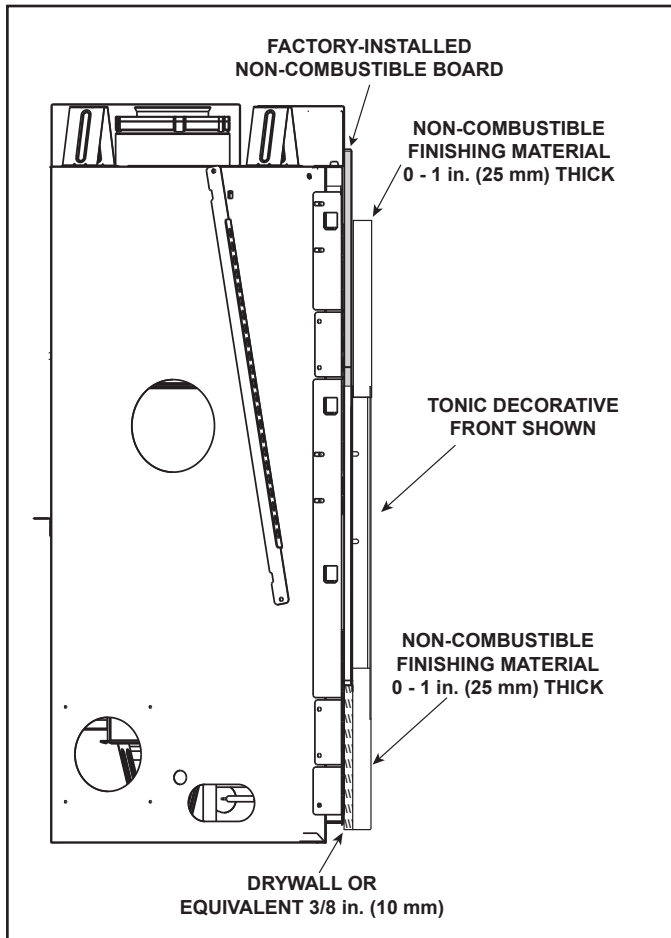


Figure 13.8 Overlap Fit Method (Tonic Decorative Front)

The Tonic decorative front can be installed with an “Overlap” or “Inside Fit” method:

Overlap Requirement: See Figure 13.9 and Figure 13.10.

Inside Fit requirement: See Figure 13.11 and Figure 13.12.

Non-Combustible Finish Materials 0 - 1 in. (25 mm) Thickness-Overlap Fit Method

The Tonic decorative front is designed to overlap finish materials 0 - 1 in. (25 mm) thick. See Figure 13.9 and Figure 13.11.

NOTICE: This 1 in. (25 mm) maximum not only includes the decorative finish materials (marble, tile, slate, etc) but also the mortar or adhesive used to attach the decorative finish material.

The non-combustible finish material can be installed up to the fireplace opening.

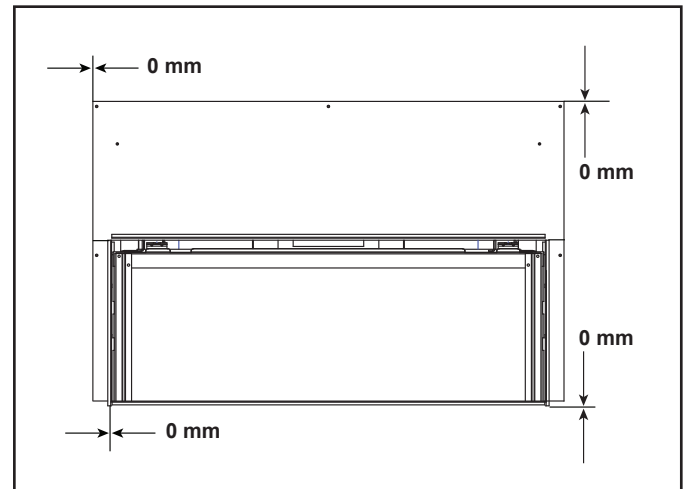


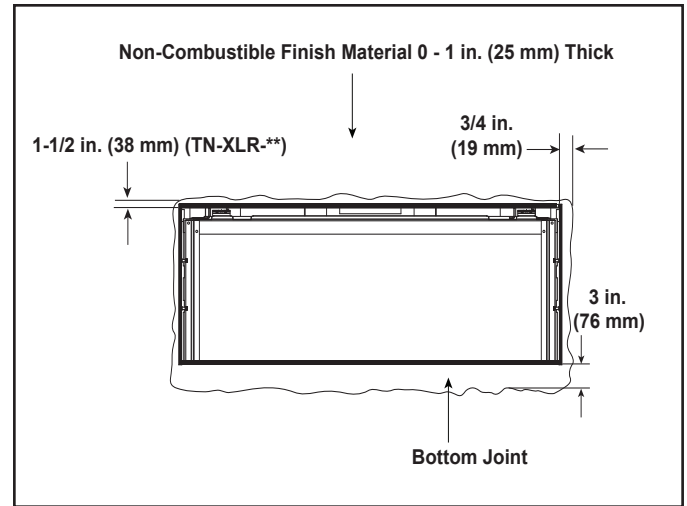
Figure 13.9 Non-Combustible Finish Material Diagram for 0 - 1 in. (25 mm) Thick Overlap Fit Method (Tonic Decorative Front)

**Non-Combustible Finish Materials
0 mm to 1 in. (25 mm) Thick Inside Fit Method**

The Tonic decorative front is approved for inside fit applications. Non-combustible finishing materials up to 1 in. (25 mm) thick can be installed around the front (left, right, top, and bottom).

For the Tonic decorative front inside fit applications, the decorative front must be installed tight to the finishing flanges and must not overlap any finish material.

Ensure that no non-combustible finish materials are installed within 1-1/2 in. (38 mm) (TN-XLR-**) of the top of the fireplace opening, or within 3 in. (76 mm) of the bottom of the fireplace opening. The top spacing is required to provide clearance for removing and installing the Tonic decorative front. See Figure 13.12.



**Figure 13.12 Noncombustible Surface Finishing Material
0 - 1 in. (25 mm) Thick-Inside Fit Method
(Tonic Decorative Front)**

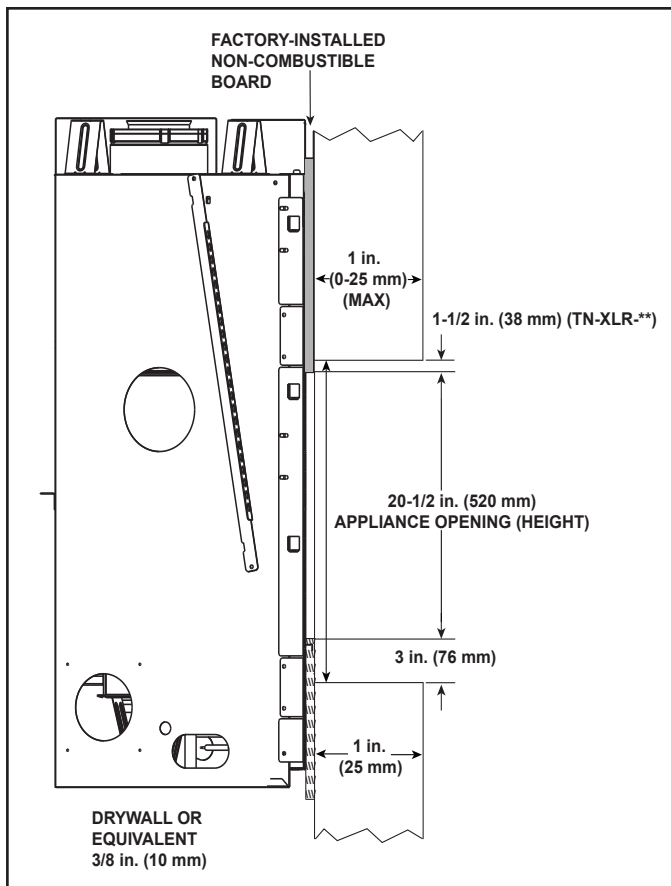


Figure 13.11 Inside Fit Method (Tonic Decorative Front)

D. Decorative Fronts

WARNING! Risk of Fire! A decorative front is required for this model. DO NOT operate this appliance without a decorative front in place.

Only doors certified for use with this appliance model may be used. Contact your dealer for a list of doors that may be used.

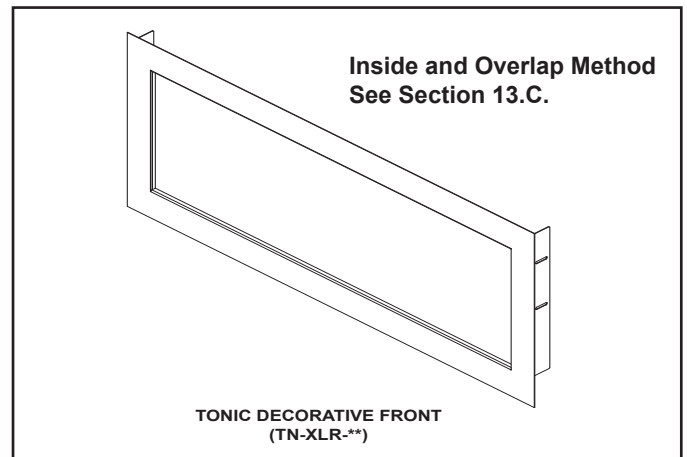


Figure 13.13 Tonic Decorative Front

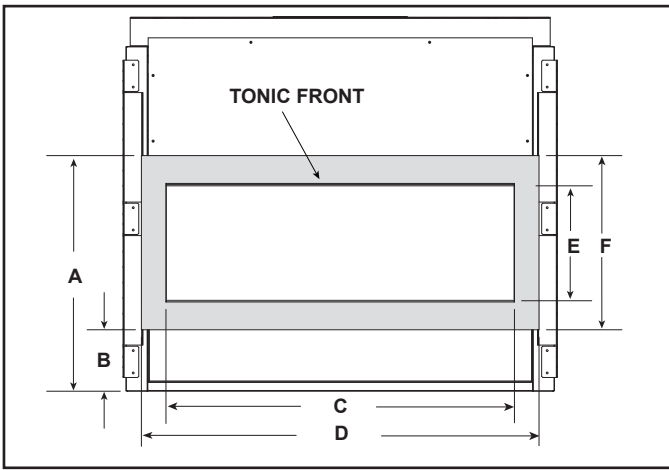


Figure 13.14. Dimensions of Tonic Decorative Front.

| | | TN-XLR-** | |
|---|--|------------|---------|
| A | Top of decorative front to bottom of appliance. | 27-1/8 in. | 689 mm |
| B | Bottom of decorative front to bottom of appliance. | 6-7/8 in. | 175 mm |
| C | Inside dimension of decorative front (width). | 39 in. | 991 mm |
| D | Outside dimension of decorative front (width). | 44-1/2 in. | 1130 mm |
| E | Inside dimension decorative front (height). | 13-3/4 in. | 349 mm |
| F | Outside dimension of decorative front (height). | 20-1/4 in. | 514 mm |

This appliance requires field-installation of heat shield(s) on the firebox glass frame. These shields function to manage convective heat transfer during blower operation. These shields are critical to the performance and reliability of the appliance because they prevent overheating of gas control components.

For installations finished with the Tonic decorative front, both an upper and lower glass heat shields are installed in the top and bottom of the firebox glass frame. These will be installed prior to installing the framed mesh and the Tonic surround. See Figures 13.15 and 13.16.

WARNING! Risk of Valve / Control Damage! This appliance requires field-installation of heat shields onto the firebox glass frame. Do not operate this appliance without the specified heat shield(s).

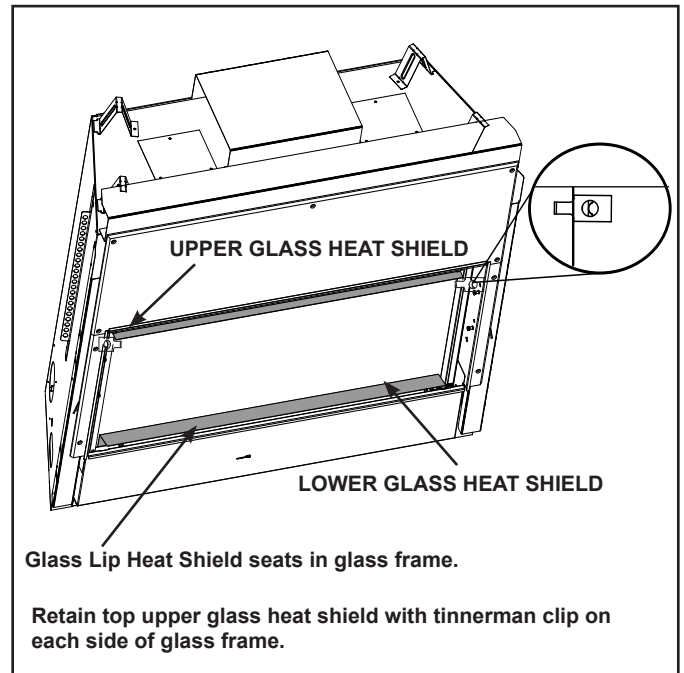


Figure 13.15 Glass and Heat Shield - Tonic

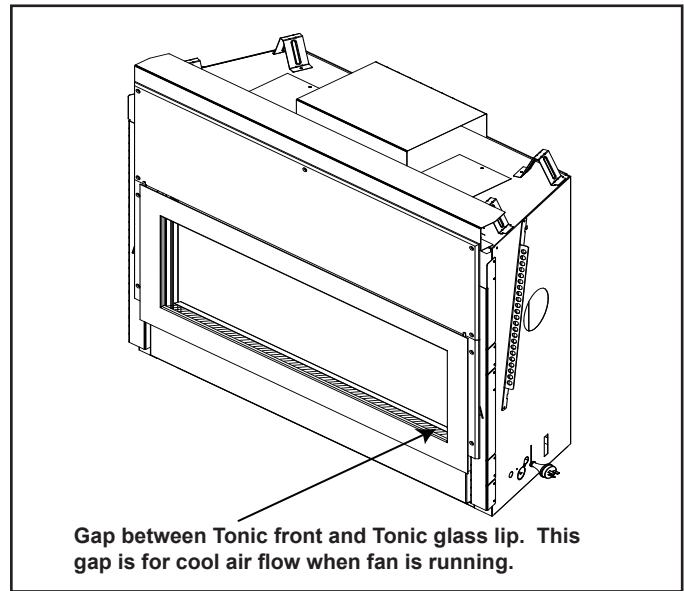


Figure 13.16 Tonic Front Gap

14 Appliance Setup

A. Remove Fixed Glass Assembly

See Section 14.E.

B. Remove the Shipping Materials

Remove shipping materials from inside or underneath the firebox. The standard black rock media and manual bag assembly are also shipped underneath the firebox.

C. Clean the Appliance

Clean/vacuum any sawdust that may have accumulated inside the firebox or underneath in the control cavity.

D. Accessories

Install approved accessories per instructions included with accessories. Contact your dealer for a list of approved accessories.

WARNING! Risk of Fire and Electric Shock! Use ONLY Hearth & Home Technologies-approved optional accessories with this appliance. Using non-listed accessories could result in a safety hazard and will void the warranty.

E. Fixed Glass Assembly

WARNING! Risk of Asphyxiation! Handle fixed glass assembly with care. Inspect the gasket to ensure it is undamaged and inspect the glass for cracks, chips or scratches.

- **DO NOT** strike, slam or scratch glass.
- **DO NOT** operate fireplace with glass removed, cracked, broken or scratched.
- Replace as a complete assembly.

Removing Fixed Glass Assembly

1. Remove the decorative front.
2. Locate the two spring latches that are on the upper left and right of the fireplace.
3. Use both index fingers to release spring latches. See Figure 14.1.
4. Allow glass to tilt forward. Grasp glass on the upper right and left sides and lift glass “up” and “out.”

Replacing Fixed Glass Assembly

1. Locate glide tabs on lower left and right corners.
2. Grasp glass on upper right and left sides and tilt bottom of glass assembly toward fireplace.
3. Allow of the bottom gasketing of the glass assembly to touch the face of the fireplace.
4. Put pressure on the glass as you allow the glass assembly to drop into the two lower tabs. See Figure 14.1.
5. Tilt top of glass towards fireplace and engage both top spring latches

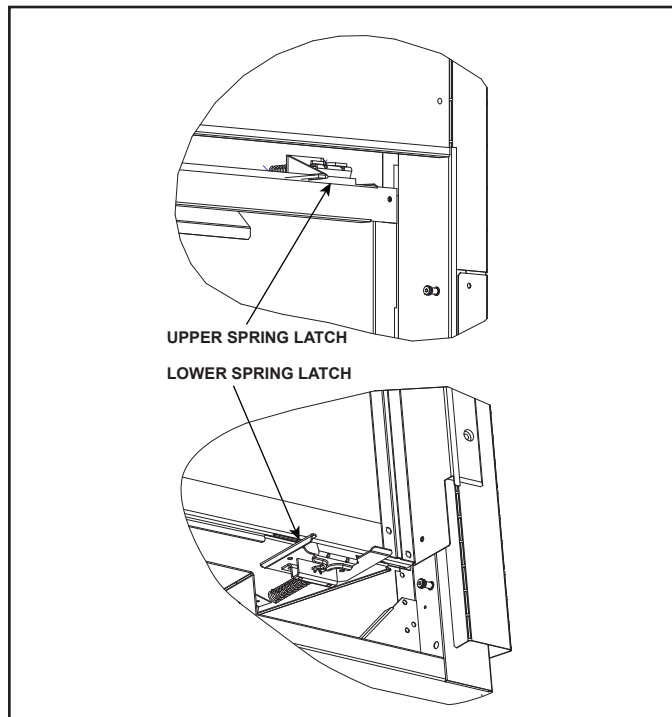


Figure 14.1 Fixed Glass Assembly

F. Air Shutter Setting

Air shutter settings may be adjusted by a qualified installer at the time of installation. The air shutter is set at the factory for minimum vertical vent run. Adjust air shutter for longer vertical runs. See Figure 14.2.

- Loosen the 1/4 in. (6 mm) screw.
- Twist shutter to adjust
- Shutter may be open for longer horizontal vent runs.
- Do not close the air shutter more than 16 mm for NG or 80 mm for LP. Note: the air shutter should be fully open when using ULPG.
- Tighten the screw.

NOTICE: If the flames appear to be orange, open the air shutter to prevent residue buildup on the glass.

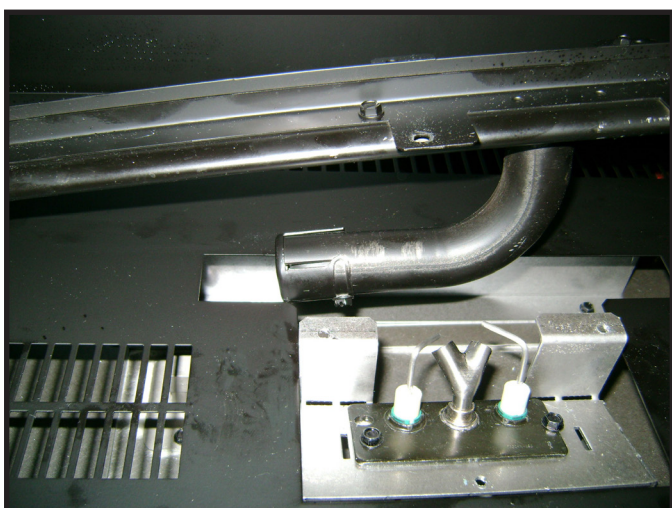


Figure 14.2 Air Shutter

Shutter Settings

| | Logs | Glass Media | Fiber Stones |
|----------------|-----------|-------------|--------------|
| NG | 13 mm | 5 mm | 6 mm |
| Propane | Full Open | 10 mm | Full Open |
| ULPG | Full Open | Full Open | Full Open |

G. Media Options

Unit ships without a media option. Available approved media options are:

- MEDIA-AMBER
- MEDIA-BLACK
- MEDIA-CLEAR
- MEDIA-COBALT
- MEDIA-BK2-GEMS
- MEDIA-WH2-GEMS
- MEDIA-GEMS
- XLR-LOGS
- MEDIA-STONES-2

H. Verify Performance of Appliance

1. Verify pilot sparks, pilot lights, pilot stops sparking, and the main burner turns "ON" by turning wall control "ON".
2. Turn fireplace "OFF". Verify that the both the pilot and burner turn "OFF".
3. Repeat Step 1 above.
4. With the burner "ON" remove the green wire connected to the gas valve after the second audible "beep" from the control module is heard. The main burner should shut off. Turn appliance "OFF".
5. Reattach the green wire to the valve and turn "ON" the fireplace. The main burner should light after the second audible "beep" from the control module is heard.
6. With the burner "ON" remove orange wire both the main burner and pilot should go out.
7. Turn fireplace "OFF" and reattach orange wire to the valve.
8. Repeat steps 1 & 2 to ensure proper functionality of appliance.

15 Troubleshooting

With proper installation, operation, and maintenance your gas appliance will provide years of trouble-free service. If you do experience a problem, this troubleshooting guide will assist a qualified service technician in the diagnosis of a problem and the corrective action to be taken. This troubleshooting guide can only be used by a qualified service technician. Contact your dealer to arrange a service call by a qualified service technician.

A. IntelliFire™ Plus Ignition System

| Symptom | Possible Cause | Corrective Action |
|--|---|--|
| 1. Pilot won't light. The ignitor/module makes noise, but no spark. | a. Incorrect wiring. | Verify "S" wire (white) for sensor and "I" wire (orange) for ignitor are connected to correct terminals on module and pilot assembly. |
| | b. Loose connections or electrical shorts in the wiring. | Verify no loose connections or electrical shorts in wiring from module to pilot assembly. Verify connections underneath pilot assembly are tight; also verify connections are not grounding out to metal chassis, pilot burner, pilot enclosure, mesh screen if present, or any other metal object. |
| | c. Ignitor gap is too large. | Verify gap of igniter to right side of pilot hood. The gap should be approximately 1/8 in (3 mm). |
| | d. Module. | Turn ON/OFF rocker switch or wall switch to OFF position. Remove ignitor wire "I" from module. Place a grounded wire about 3/16 in. (5 mm) away from "I" terminal on module. Place ON/OFF rocker switch or wall switch in ON position. If there is no spark at "I" terminal module must be replaced. If there is a spark at "I" terminal, module is fine. Inspect pilot assembly for shorted sparker wire or cracked insulator around electrode. Replace pilot if necessary. |
| 2. Pilot won't light, there is no noise or spark. | a. No power or transformer installed incorrectly. | Verify that transformer is installed and plugged into module. Check voltage of transformer under load at spade connection on module with ON/OFF switch in ON position. Acceptable readings of a good transformer are between 6.4 and 6.6 volts DC. |
| | b. A shorted or loose connection in wiring configuration or wiring harness. | Remove and reinstall the wiring harness that plugs into module. Verify there is a tight fit. Verify pilot assembly wiring to module. Remove and verify continuity of each wire in wiring harness. Replace any damaged components. |
| | c. Improper wall switch wiring. | Verify that 220-240 VAC service power is "ON" to appliance. |
| | d. Module not grounded. | Verify black ground wire from module wire harness is grounded to metal chassis of appliance. |
| | e. Module. | Turn ON/OFF rocker switch or wall switch to OFF position. Remove ignitor wire "I" from module. Place ON/OFF rocker switch or wall switch in ON position. If there is no spark at "I" terminal module must be replaced. If there is a spark at "I" terminal, module is fine. Inspect pilot assembly for shorted sparker wire or cracked insulator around electrode. |
| 3. Pilot sparks, but Pilot will not light. | a. Gas supply. | Verify that incoming gas line ball valve is "open". Verify that inlet pressure reading is within acceptable limits, inlet pressure must not be exceeded. |
| | b. Ignitor gap is incorrect. | Verify that spark gap from ignitor to pilot hood is 1/8 in. (3 mm). |
| | c. Module is not grounded. | Verify module is securely grounded to metal chassis of appliance. |
| | d. Module voltage output / Valve/Pilot solenoid ohms readings. | Verify battery voltage is at least 5.7 volts. Replace batteries if voltage is below 5.7. |

IntelliFire Plus™ Ignition System - (continued)

| Symptom | Possible Cause | Corrective Action |
|--|--|---|
| 4. Pilot lights but continues to spark, and main burner will not ignite. (If the pilot continues to spark after the pilot flame has been lit, flame rectification has not occurred.) | a. A shorted or loose connection in flame sensing rod. | Verify all connections to wiring diagram in manual. Verify connections underneath pilot assembly are tight. Verify connections are not grounding out to metal chassis, pilot burner, pilot enclosure or screen if present, or any other metal object. |
| | b. Poor flame rectification or contaminated flame sensing rod. | With fixed glass assembly in place, verify that flame is engulfing flame sensing rod on left side of pilot hood. Flame sensing rod should glow shortly after ignition. Verify correct pilot orifice is installed and gas inlet is set to pressure specifications. Polish flame sensing rod with fine steel wool to remove any contaminants that may have accumulated on flame sensing rod. |
| | c. Module is not grounded. | Verify module is securely grounded to metal chassis of appliance. Verify that wire harness is firmly connected to the module. |
| | d. Damaged pilot assembly or contaminated flame sensing rod. | Verify that ceramic insulator around the flame sensing rod is not cracked, damaged, or loose. Verify connection from flame sensing rod to white sensor wire. Polish flame sensing rod with fine steel wool to remove any contaminants that may have accumulated on flame sensing rod. Verify continuity with a multimeter with ohms set at lowest range. Replace pilot if any damage is detected. |
| | e. Module. | Turn ON/OFF rocker switch or wall switch to OFF position. Remove ignitor wire "I" from module. Place ON/OFF rocker switch or wall switch in ON position. If there is no spark at "I" terminal module must be replaced. If there is a spark at "I" terminal, module is fine. |
| 5. Carbon Deposition | a. Log Placement | Verify placement and assure flame is not excessively impinging on log. |
| | b. Shutter Setting | Check to assure correct shutter setting for your model and gas type. |
| | c. Gas Type | Assure correct fuel matches unit gas model and components. |

Frequently Asked Questions/Troubleshooting

| Symptom | Possible Cause | Corrective Action |
|---|--|---|
| Remote control will not transmit | Batteries | Verify batteries are functional and installed correctly. |
| | Remote control is in Child Lock mode | Disengage Child Lock mode. |
| | Buttons not being pressed firmly | Press button firmly for one to two seconds to ensure transmission to module. |
| Control module will not take commands from remote control | Control module is not in "REMOTE" mode | Ensure module switch is set to REMOTE. |
| | Control module and remote control are not programmed to each other | The control module will beep when it successfully receives a command. If it does not beep, clear module memory and re-program wall switch. |
| | Control module is unplugged. In case of power outage, backup batteries are depleted or missing | If the transmission indicator comes on when power button is pressed, verify that the control module is plugged in the fireplace junction cord located in the controls area. Also verify that the batteries are installed in the battery pack. |
| Fan does not turn on when fireplace is started | Built in time delay | The fireplace must run for three minutes in order for the fan to engage. |
| Fan does not turn off when fireplace turned off | Built in time delay | The fan will run for twelve minutes after the fireplace is turned off. |
| Fireplace shuts down after extended periods | Built-in timer | The fireplace will automatically shut down after nine hours of continuous operation if it does not receive a command from the remote. |
| Fireplace is on but will not shut off with the remote control | External wired wall switch | The fireplace cannot be turned off by remote if an external wired switch is installed and in the ON position. Turn external wall switch to OFF. |
| | Remote control or control module failure | At control module, turn off fireplace by sliding the ON/OFF/REMOTE switch to OFF. Warning! Risk of Burns! Fireplace is hot. Use caution when accessing module. |

16 Component Access

WARNING! Risk of Fire, Electric Shock and Burns!
Turn off power to module and valve by unplugging the 6V transformer from the junction cord, before removing fixed glass assembly.

A. Decorative Front and Fixed Glass Assembly Removal

- The decorative front can be removed by unscrewing (4) screws that secure the decorative front to the fireplace. Refer to the installation instructions that were included with the decorative front option for more detailed instruction.
- Refer to Section 14.E for fixed glass removal and installation instructions.

B. Valve Pressure Taps

The pressure taps are available through the front of the appliance. The decorative mesh front and fireplace gas assembly must be removed to gain access to the pressure taps.

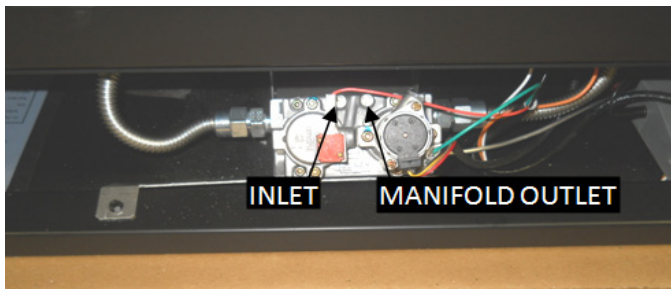


Figure 16.1 Pressure Taps

C. Control Module Access

The control module on this appliance can be accessed by following the following steps:

1. Remove decorative front and fixed glass assembly.
2. Locate the control module. See Figure 16.2.
3. Unplug the black wire from the transformer, unplug the wire harness to the valve, and unplug the orange and white wires from the pilot assembly.
4. Verify the replacement module is installed to the wire diagram listed in Section 12.

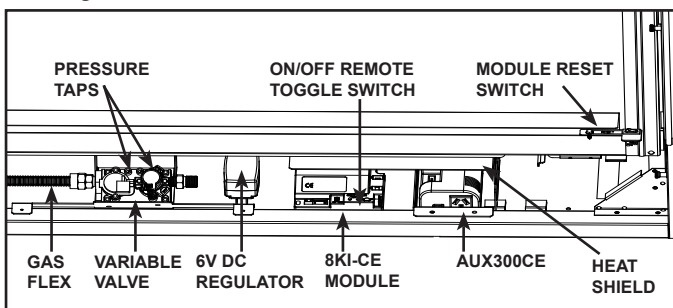


Figure 16.2 Valve Components

D. Media Tray Removal

1. Remove decorative front and fixed glass assembly.
2. Remove media tray by removing two screw located on the front edge of the media tray. See Figure 16.3.

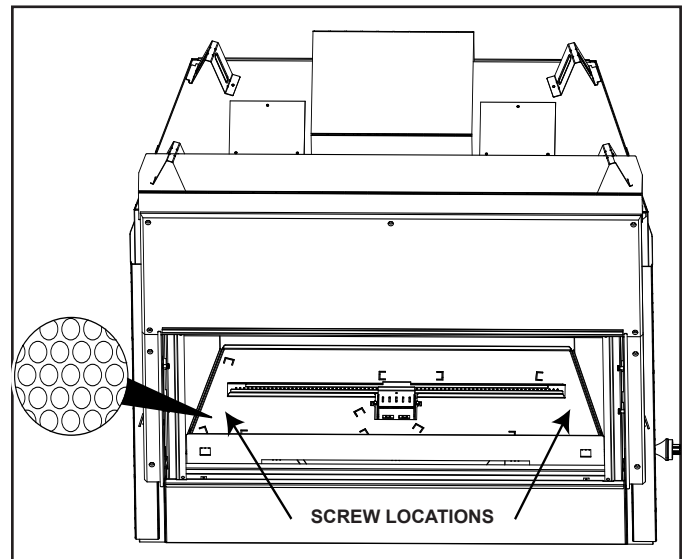


Figure 16.3 Remove Media Tray

E. Burner and Base Pan Removal

Once the media tray is removed, the burner assembly and base pan may be removed.

1. Remove burner assembly by removing two screws that secure the burner to the pilot assembly bracket and remove the one screw that secures the burner clip that secures the burner to the base pan. See Figure 16.4.
2. Once the burner is removed, the base pan can be removed by lifting "up" and "out".

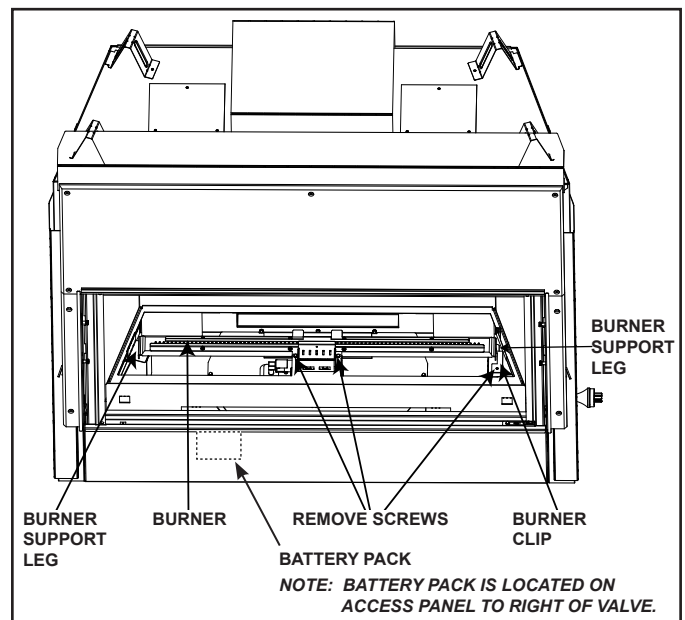


Figure 16.4 Remove Burner Assembly

F. Access Through the Valve Assembly

The lower access cover panel is removable if finishing material has not been previously installed.

Remove media tray, burner assembly, and base pan.

To access components:

1. Remove eleven screws around perimeter of valve assembly that secure valve plate to the firebox bottom. See Figure 16.5.
2. Lift the valve assembly from the back so that the gas valve can clear the valve plate hole in the bottom the firebox. See Figure 16.6.

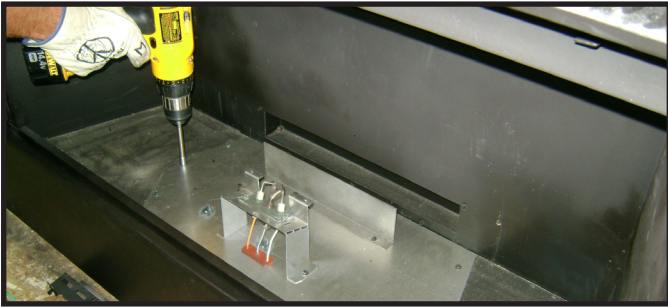


Figure 16.5 Remove Valve Plate Screws

3. Set the valve bracket on the front lip of the firebox bottom. Turn “off” the ball valve. Disconnect gas valve from the gas flex ball valve assembly at the pressure fitting. See Figure 16.6.



Figure 16.6 Remove Valve Plate

4. Lift the valve assembly up and out to make necessary service or repair.
5. Replace gasket before reinstalling the valve assembly.

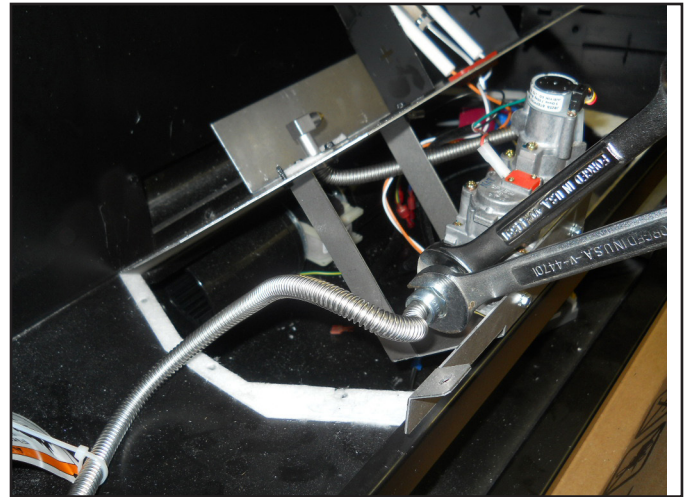


Figure 16.7 Disconnect Gas Valve

G. Gas Valve Replacement

Once the valve assembly has been removed, the gas valve, pilot assembly, orifice flex tube, and flex ball valve can be replaced.

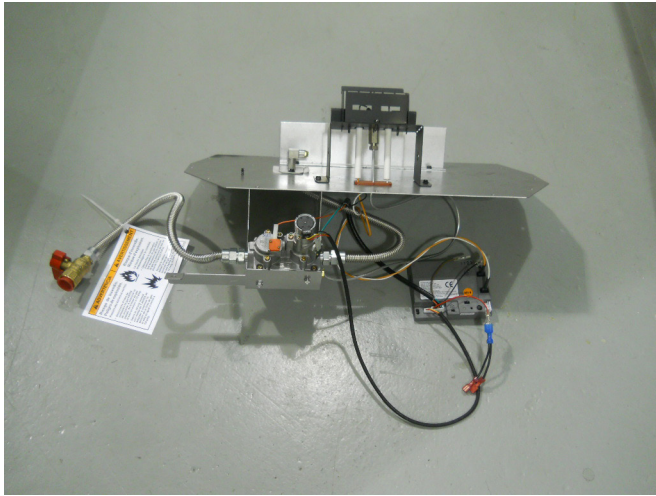


Figure 16.8

1. Place the valve assembly on a clean, stable surface to service or replace any components.
2. Disconnect the orange and green wires from the valve.
3. Removed the Pilot fitting from the valve assembly
4. Disconnect the orifice gas flex and gas ball valve flex from the (2) flare fittings.
5. Unscrew (2) screws located under the pressure taps to remove the gas valve from the valve bracket.

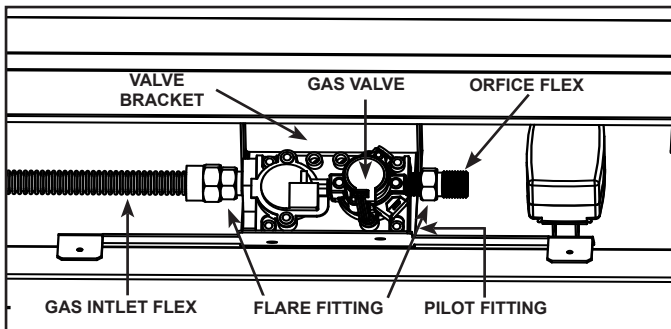


Figure 16.9

H. Pilot Assembly Replacement

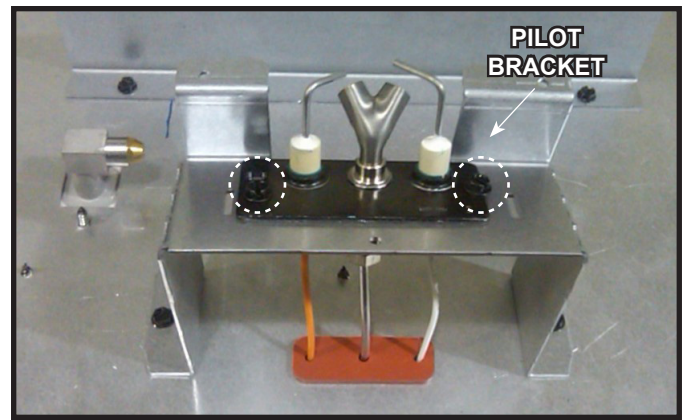


Figure 16.10

1. Disconnect the orange and white wires from the control module.
2. Remove the pilot fitting from the valve assembly.
3. Remove two screws that secure pilot assembly to the pilot bracket.

17 Reference Materials

A. Appliance Dimension Diagram

Dimensions are actual appliance dimensions. Use for reference only. For framing dimensions and clearances refer to Section 5.

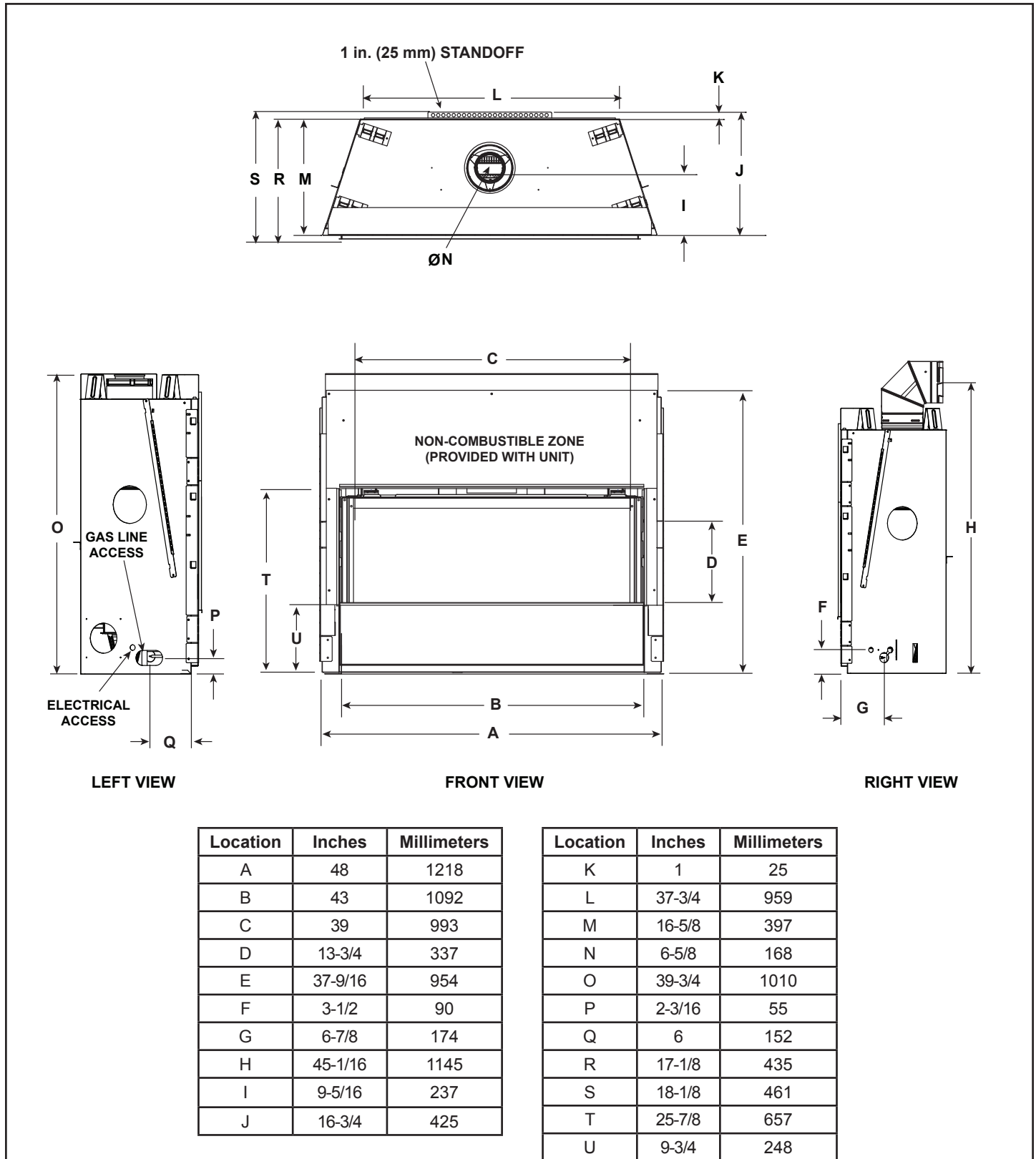


Figure 17.1 Appliance Dimensions

B. Maintenance Tasks

| Inspect | Maintenance Tasks |
|---------------------------------------|---|
| Doors | 1. Inspect for scratches, dents or other damage and repair as necessary. |
| | 2. Verify no obstructions to airflow. |
| | 3. Verify maintenance of proper clearance to combustible household objects. |
| Gasket Seal, Glass Assembly and Glass | 1. Inspect gasket seal and its condition. |
| | 2. Inspect glass panels for scratches and nicks that can lead to breakage when exposed to heat. |
| | 3. Confirm there is no damage to glass or glass frame. Replace as necessary. |
| | 4. Verify that latches engage properly, clip studs are not stripped, and glass attachment components are intact and operating properly. Replace as necessary. |
| | 5. Clean glass. Replace glass assembly if severely coated with silicate deposits that cannot be removed. |
| Valve Compartment and Firebox Top | 1. Vacuum and wipe out dust, cobwebs, debris or pet hair. Use caution when cleaning these areas. Screw tips that have penetrated the sheet metal are sharp and should be avoided. |
| | 2. Remove any foreign objects. |
| | 3. Verify unobstructed air circulation. |
| Logs | 1. Inspect for broken, damaged, or missing logs. Replace as necessary. |
| | 2. Verify correct log placement and no flame impingement causing sooting. Correct as necessary. |
| Firebox | 1. Inspect for paint condition, warpage, corrosion or perforation. Sand and repaint as necessary. |
| | 2. Replace appliance if firebox has been perforated. |
| Burner Ignition and Operation | 1. Verify burner is properly secured and aligned with pilot or igniter. |
| | 2. Clean off burner top, inspect for plugged ports, corrosion or deterioration. Replace burner if necessary. |
| | 3. Replace ember materials with new dime-size and shape pieces. Do not block ports or obstruct lighting paths. |
| | 4. Check for smooth lighting and ignition carryover to all ports. Verify there is no ignition delay. |
| | 5. Inspect for lifting or other flame problems. |
| | 6. Inspect orifice for soot, dirt or corrosion. |
| | 7. Verify manifold and inlet pressures. Adjust regulator as required. |
| | 8. Inspect pilot flame strength. Clean or replace orifice as necessary. |
| | 9. Inspect thermocouple/thermopile or IPI sensor rod for soot, corrosion and deterioration. Polish with fine steel wool or replace as required. |
| Flueing | 1. Inspect venting for blockage or obstruction such as bird nests, leaves, etc. |
| | 2. Confirm that termination cap remains clear and unobstructed by plants, etc. |
| | 3. Verify that termination cap clearance to subsequent construction (building additions, decks, fences or sheds) has been maintained. |
| | 4. Inspect for corrosion or separation. |
| | 5. Verify weather stripping, sealing and flashing remains intact. |
| Remote controls | 1. Verify operation of remote. |
| | 2. Replace batteries in remote transmitters and battery-powered receivers. |
| Carbon Deposition | 1. Appliances incorporating a live fuel effect, and designed to operate with luminous flames, may exhibit slight carbon deposition. |

C. Vent Components Diagrams

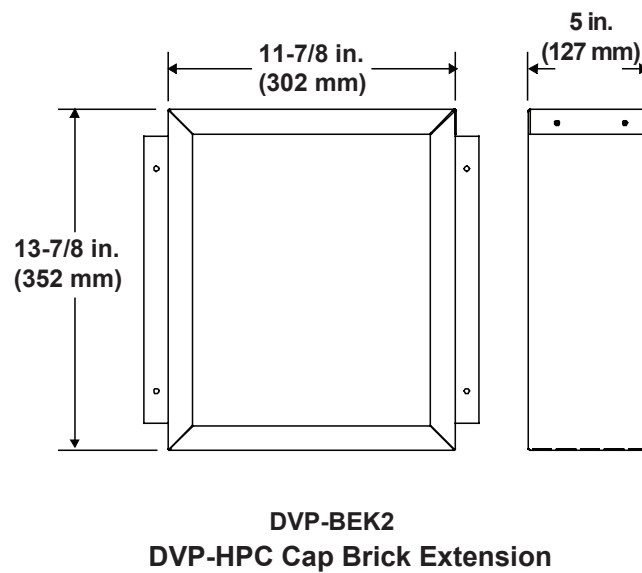
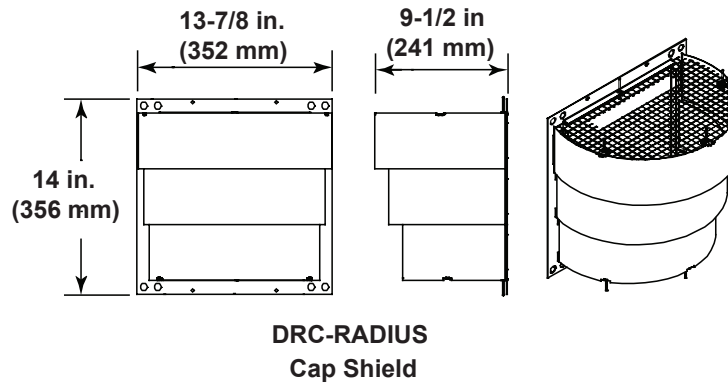
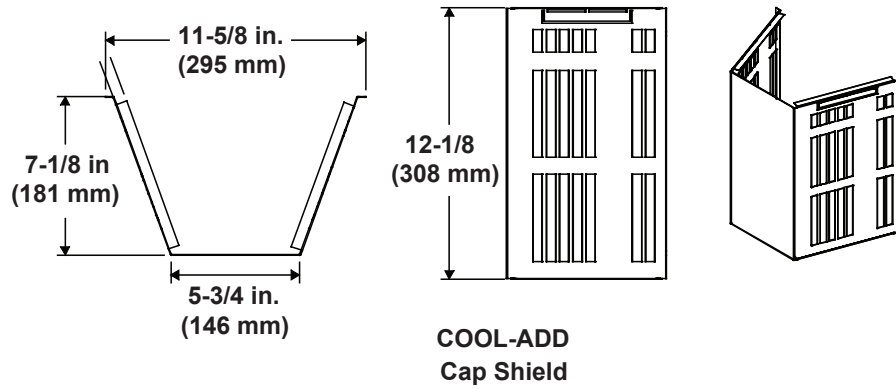
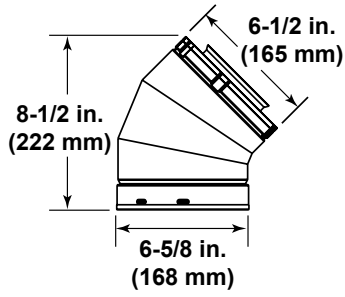
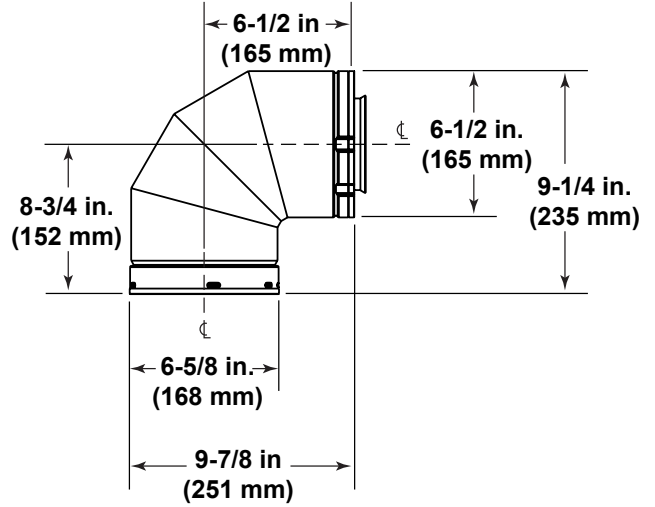


Figure 17.2 Vent Components

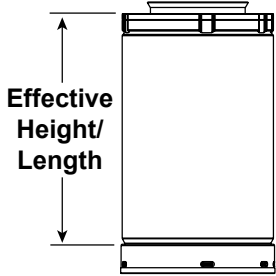
C. Vent Components Diagrams (continued)



SLP-45 - 45° Elbow

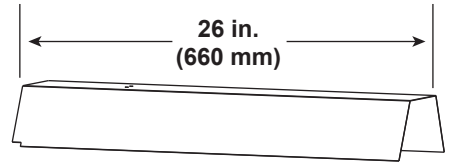


SLP90- 90° Elbow

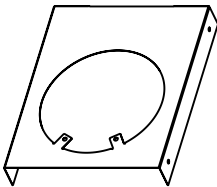


SLP-PIPE

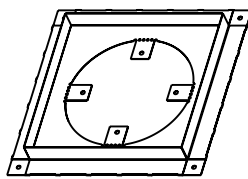
| Pipe | Effective Length | |
|--------|------------------|-------------|
| | Inches | Millimeters |
| SLP4 | 4 | 102 |
| SLP6 | 6 | 152 |
| SLP12 | 12 | 305 |
| SLP24 | 24 | 610 |
| SLP36 | 36 | 914 |
| SLP48 | 48 | 1219 |
| SLP6A | 2 to 6 | 51 - 152 |
| SLP12A | 2 to 12 | 51 - 305 |



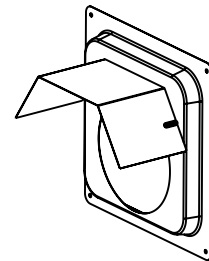
DVP-HSM-B
Extended Heat Shield



SLP-HVS
Horizontal Pipe
Support



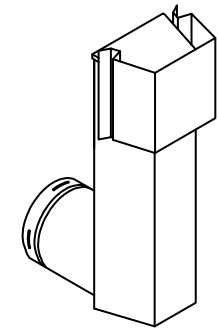
SLP-FS
Ceiling Firestop



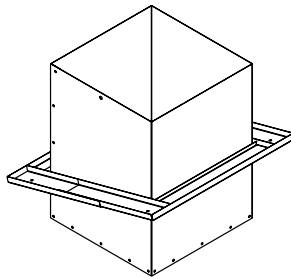
SLP-WS
Wall Shield Firestop

Figure 17.5 SLP Series Vent Components

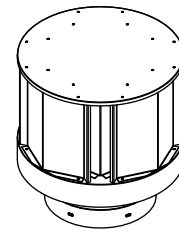
C. Vent Components Diagrams (continued)



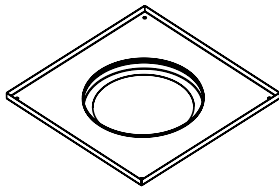
SLK-SNKD
Snorkel
Termination Cap



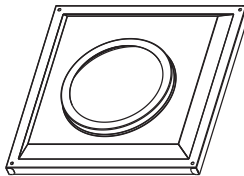
SLP-CCS-BK
Cathedral Ceiling
Support Box-Black



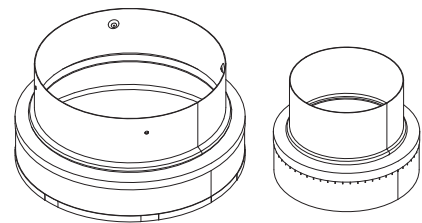
SLP-TVHW
Vertical
Termination Cap



SLP-DCF-BK
Ceiling Firestop
Black



SLP-WT-BK
Wall Thimble-Black



SL-2DVP
Adapter

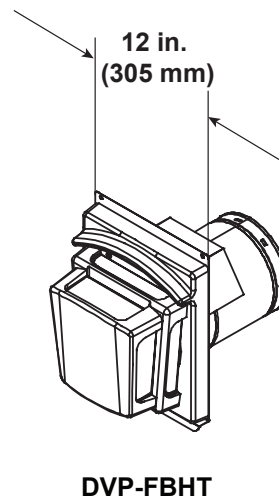
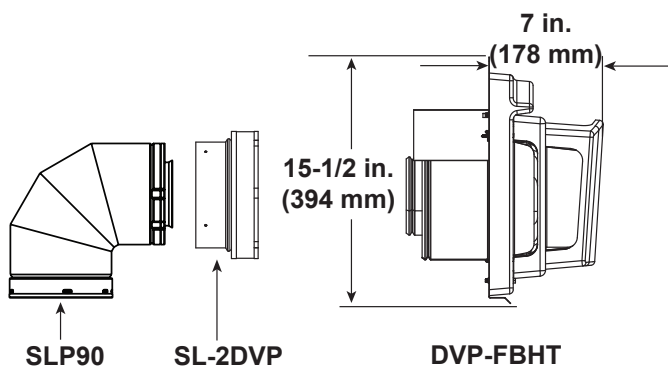
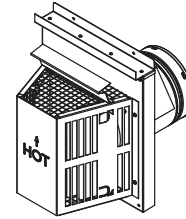
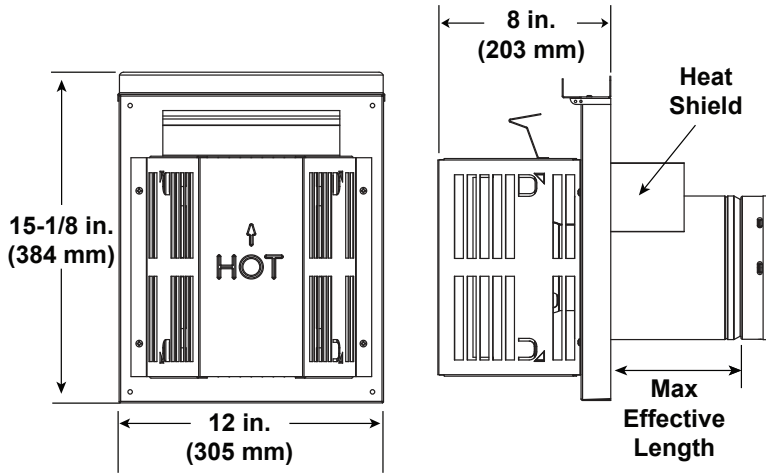


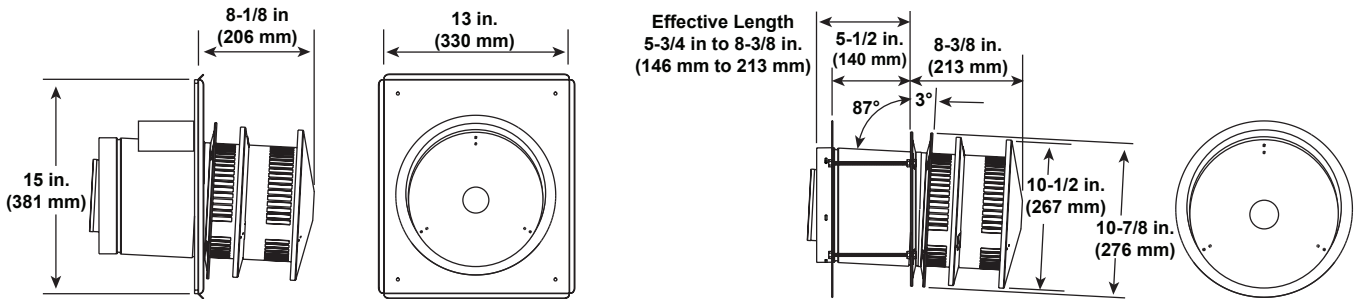
Figure 17.6 SLP Series Vent Components

C. Vent Components Diagrams (continued)

Note: Heat shields MUST overlap by a minimum of 1-1/2 in. (38 mm). The heat shield is designed to be used on a wall 4 in. (102 mm) to 7-1/4 in. (184 mm) thick. If wall thickness is less than 4 in. (102 mm) the existing heat shields must be field trimmed. If wall thickness is greater than 7-1/4 in. (184 mm) a DVP-HSM-B will be required.



| Term Cap | Minimum Effective Length | Maximum Effective Length |
|----------|--------------------------|--------------------------|
| Trap | 133 mm 5-1/4 in. | 235 mm 9-1/4 in. |

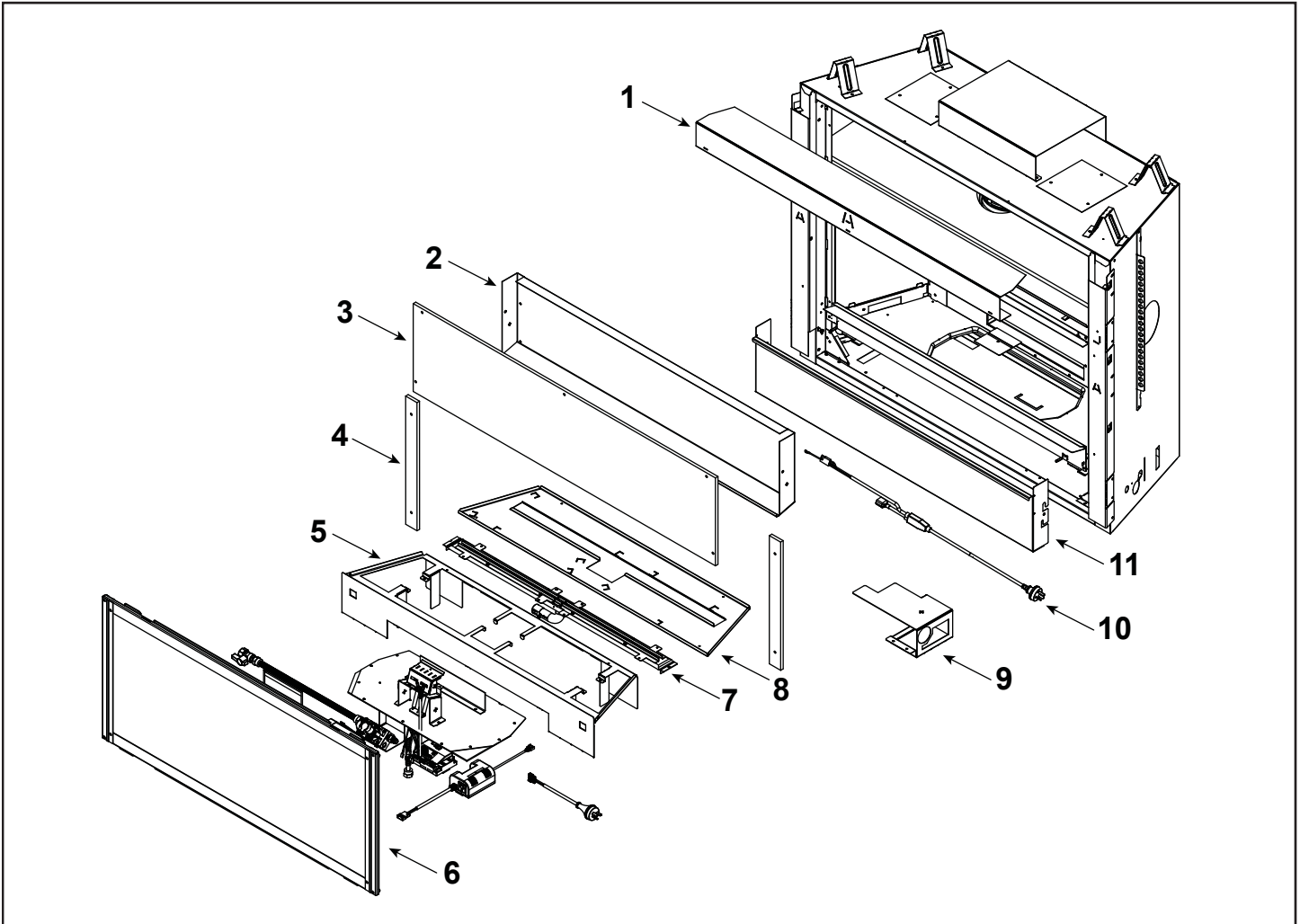


SLP-HRC-SS
 SLP-HRC-ZC-SS
 HORIZONTAL TERMINATION CAP

Figure 17.7 SLP Series Vent Components

XLR-PLUS-N-AUB - Active

XLR-PLUS-PB-AUB - End Manufacturing Date: July 2017



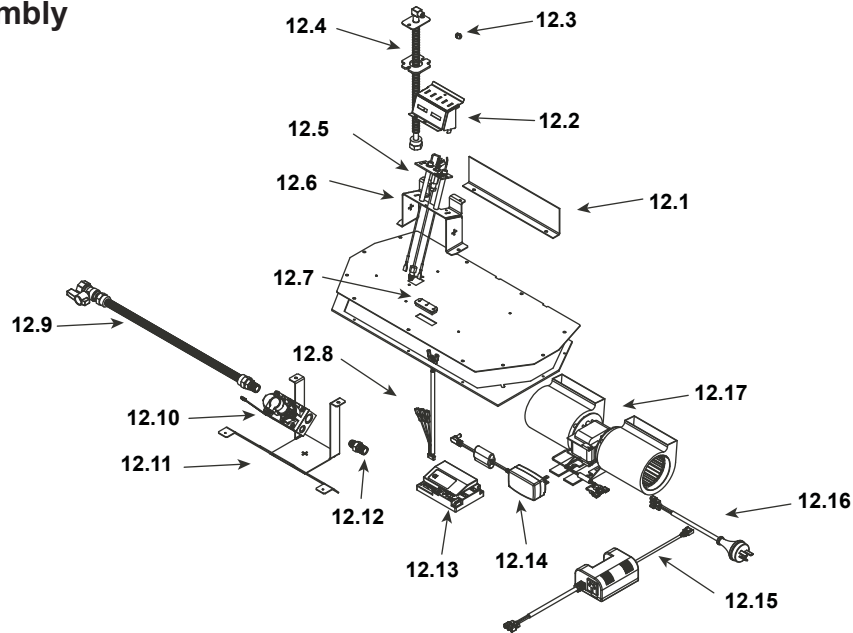
IMPORTANT: THIS IS DATED INFORMATION. Parts must be ordered from a dealer or distributor. **Hearth and Home Technologies does not sell directly to consumers.** Provide model number and serial number when requesting service parts from your dealer or distributor.

| ITEM | DESCRIPTION | COMMENTS | PART NUMBER |
|------|------------------------------------|-----------|--------------|
| 1 | Sheet Rock Ledge, 10 mm | | 2198-147 |
| 2 | Top Panel Finishing Edge | | 2335-102 |
| 3 | Non Combustible Board, Top, 10 mm | | 2335-410 |
| 4 | Non Combustible Board, Side, 10 mm | Qty 2 req | 2335-411 |
| 5 | Base Pan | | 2264-117 |
| 6 | Glass Door Assembly | | GLA-XLR-PLUS |
| 7 | Burner N | | 2264-007 |
| | Burner P & B | | 2264-008 |
| 8 | Media Tray | | 2264-118 |
| 9 | Bracket, J-Box | | 2264-154 |
| 10 | Junction Cord | | 2222-037 |
| 11 | Lower Cover Panel | | 2264-103 |

Additional service part numbers appear on following page.

5/17

#12 Valve Assembly



IMPORTANT: THIS IS DATED INFORMATION. Parts must be ordered from a dealer or distributor. **Hearth and Home Technologies does not sell directly to consumers.** Provide model number and serial number when requesting service parts from your dealer or distributor.

| ITEM | DESCRIPTION | COMMENTS | PART NUMBER |
|-------|--|----------|-------------|
| 12.1 | Bracket | | 2143-143 |
| 12.2 | Pilot Shield | | 2184-123 |
| 12.3 | Orifice N (#42C) | | 582-842 |
| | Orifice B (#55C) | | 582-855 |
| | Orifice P (.057C) | | 582-057 |
| 12.4 | Bulkhead W/Flex Tube | | 383-302A |
| 12.5 | Pilot Assembly N | | 2208-012 |
| | Pilot Assembly P & B | | 2208-013 |
| 12.6 | Pilot Bracket | | 2264-174 |
| 12.7 | 3-Hole Grommet | | 2118-420 |
| 12.8 | Module Wire Assembly | | 2166-304 |
| 12.9 | Flex Ball Valve Assembly | | 302-320A |
| 12.10 | Valve N | | 2166-302 |
| | Valve P & B | | 2166-303 |
| 12.11 | Valve Bracket | | 2264-153 |
| 12.12 | Male Connector | Pkg of 5 | 303-315/5 |
| 12.13 | Module, Gray | | 2166-306 |
| 12.14 | DC Regulator | | 2326-131 |
| 12.15 | AUX300-CE, Pre SN #0023019789 must also order Jumper Wire (2166-375) | | 2166-340 |
| 12.16 | Jumper Wire | | 2166-375 |
| 12.17 | Fan Kit | | GFK-240V |

Additional service part numbers appear on following page.

IMPORTANT: THIS IS DATED INFORMATION. Parts must be ordered from a dealer or distributor. **Hearth and Home Technologies does not sell directly to consumers.** Provide model number and serial number when requesting service parts from your dealer or distributor.

| ITEM | DESCRIPTION | COMMENTS | PART NUMBER |
|------|---|-----------|---------------|
| | Battery Pack | | 4067-223 |
| | Cover Plate , Heat-Zone | Qty 2 req | 2198-104 |
| | Elbow Heat Shield | | 2143-168 |
| | Gasket Assembly | | 2113-080 |
| | Contains burner neck, shutter bracket, vent, seal cap, valve plate, and air passage gaskets | | |
| | Glass Bracket Left | | 2264-124 |
| | Glass Bracket Right | | 2264-125 |
| | Glass Latch Assembly , Lower | Qty 2 req | 2264-017 |
| | Glass Latch Assembly , Top | Pkg of 2 | 33858/2 |
| | Glass Lip Shield, Tonic | | 2264-126 |
| | Heat Shield Assembly | | 2264-016 |
| | Nailing Tabs, 10 mm | Qty 2 req | 2335-133 |
| | Rock Jig | | 2195-124 |
| | Top Trap, Outer | | 2198-103 |
| | Touch Up Paint | | TUP-GBK-12 |
| | Wall Switch Kit | | WSK-21-W |
| | | | |
| | | | |
| | | | |
| | | | |
| | | | |
| | | | |
| | | | |
| | | | |
| | | | |
| | | | |
| | | | |
| | | | |
| | | | |
| | | | |
| | | | |
| | Conversion Kit N | | PB2N-XLR-PLUS |
| | Conversion Kit B | | P2B-XLR-PLUS |
| | Conversion Kit P | | N2PB-XLR-PLUS |
| | Pilot Orifice N | | 593-528 |
| | Pilot Orifice B | | 593-529 |
| | Pilot Orifice P | | 593-527 |
| | Regulator N | | NGK-DXV-50 |
| | Regulator P & B | | LPK-DXV-50 |

