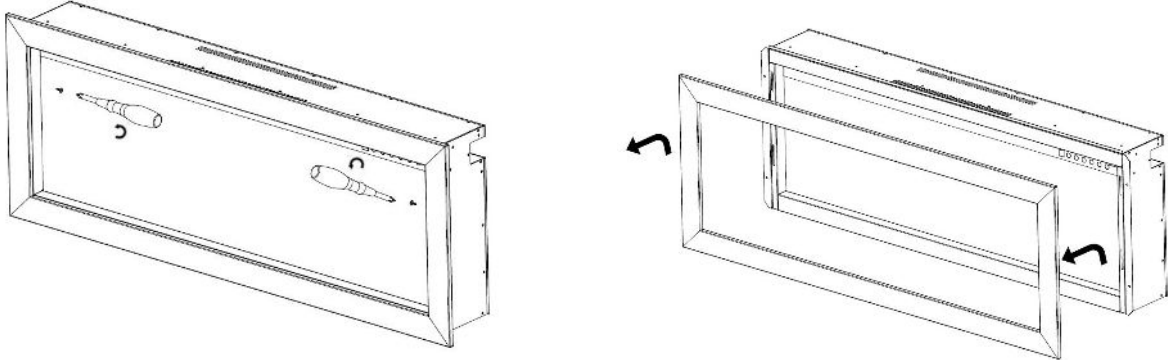


Vesta flame file update instructions.

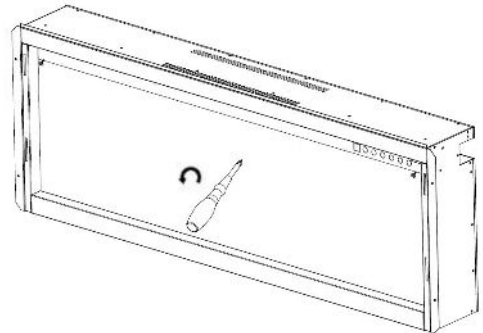
1. Remove decorative surround by removing shoulder screws (fig 1.) then lift the surround upwards and out (fig 2.)



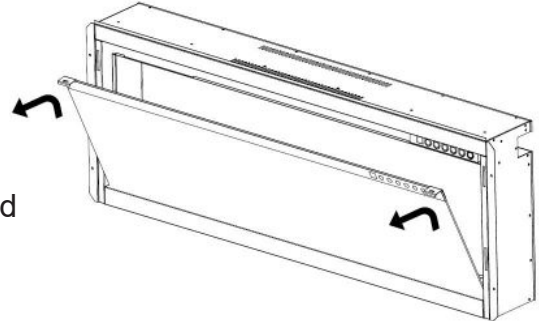
2. Locate and carefully remove glass retainer screws one at a time.

2x screws Vesta-50

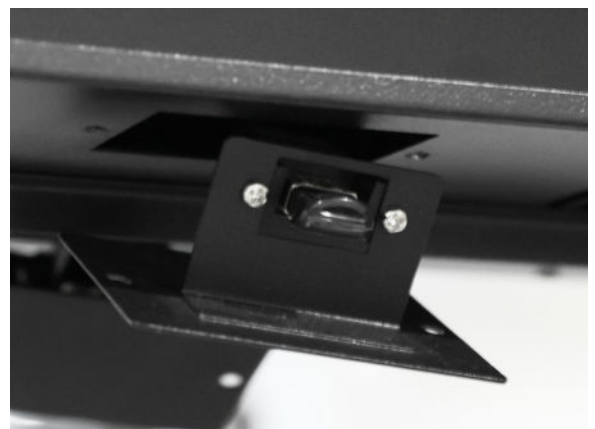
4x screws Vesta-70



3. Lean the glass assembly forward and lift out placing it in a safe place.



4. Locate USB cover plate on left side of appliance and remove the two screws to reveal USB thumb drive



5. Remove the thumb drive and upload the chosen video file from the Visionline website onto it. You can then plug it back into your Vesta fireplace and re-assemble it.

