








Jetmaster Quadro 1050 wood fire & BBQ

4-in-1 Wood-fired, BBQ grilling and heating.

There is nothing quite like the enchanting ambience of an open wood fire. World-renowned Jetmaster fireplaces are built to provide striking centrepieces with class-leading performance and visual appeal.

The Jetmaster Quadro 1050 adds a whole lot more to your outdoor fire experience, providing wood-fired BBQ grilling and cooking functionality as well as a removable pizza oven. For the astute BBQ chef this versatile outdoor fireplace really is the master in its class.

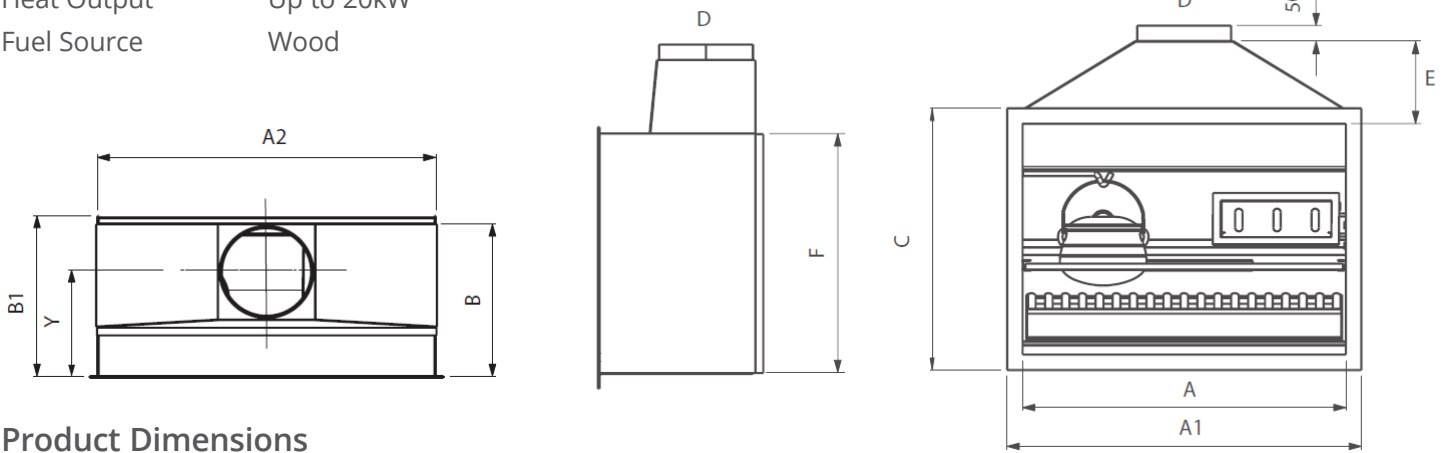
Key Features

-  Versatile 4-in-1 cooking & heating
-  Removable BBQ grill, pizza oven & pot
-  High heat output
-  Minimal ash & cleaning
-  Stainless weather shield

Product Specifications

(All dimensions in millimetres)

Heat Output Up to 20kW
Fuel Source Wood



Product Dimensions

MODEL	A	A1	A2	B	B1	C	D	E	F	Y
Quadro 1050	1050	1150	1100	502	530	850	300/400	240	800	350

Installation Information

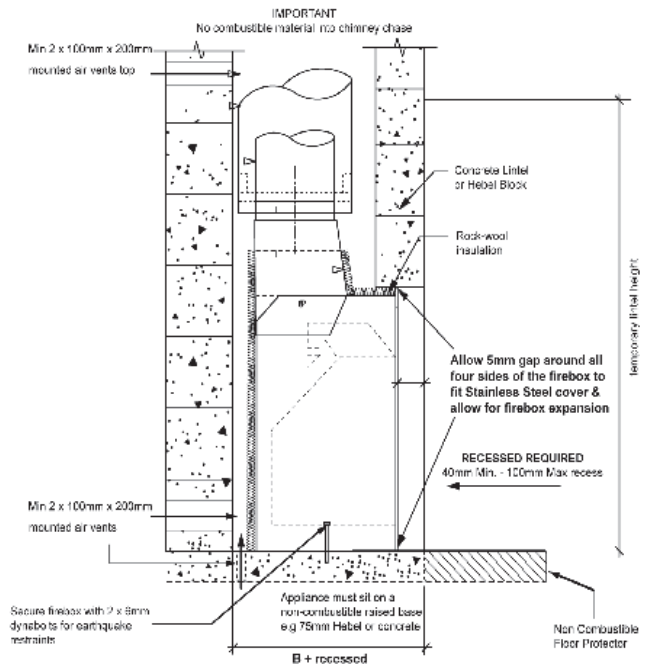
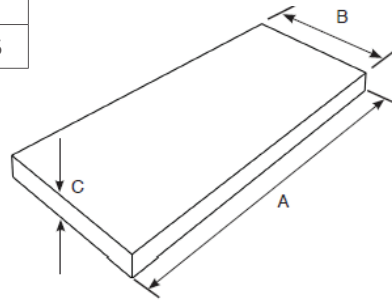
IMPORTANT: PLEASE REFER TO COMPREHENSIVE INSTALLATION INSTRUCTIONS PRIOR TO CONSTRUCTION AND INSTALLATION
DOWNLOAD FROM: www.thefireplace.co.nz

Cavity Dimensions (refer to full instructions for timber cavity dimensions)

	Cavity Width	B + Recess	Temporary Lintel
Cavity (mm) Minimums	1400	760 + Recess	1400

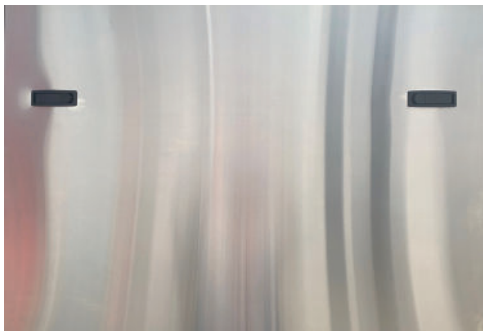
Floor Protector Dimensions

Floor Protector	A	B	C
Appliance Raised 500mm	1400	800	75
Floor Level	1400	1000	75

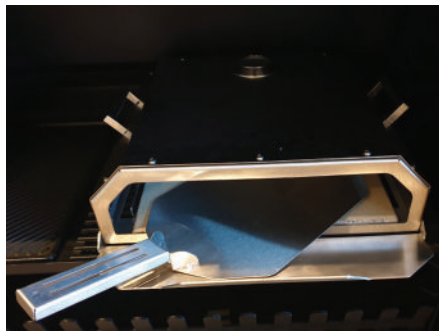


Options & Accessories

Stainless steel weather shield



Removable pizza oven



Cast iron pot



Jetmaster

Jetmaster VIC

444 Swan St, Richmond VIC 3121

Ph: 1300 219 875

www.jetmastervic.com.au

Your Local Retailer