

**Installation and Owners
Manual**

Keep these instructions for
future reference

Phoenix

Freestanding

Inbuilt Masonry

Insulated Zero Clearance



TABLE OF CONTENTS

IMPORTANT: Read all instructions carefully before starting installation.
Failure to follow these instructions may result in a fire hazard and will void the warranty.

Compliance	3
Components	7
Dimensions	11
Installation	15
Flue and Venting	24
Operating Instructions	29
Warranty Information	35

1

Compliance

As/NZS 4012/4013

4

General Installation

5

1. Compliance - AS/NZS 4012/4013



WOODFIRE COMPLIANCE LABEL

This appliance has been TESTED TO AS/NZS4013 for Hardwood by ASFT Report 21076 Date tested: 29 SEPTEMBER 2021

VisionLINE Phoenix

Freestanding and Inbuilt

OVERALL AVERAGE EFFICIENCY
WHEN TESTED IN ACCORDANCE WITH AS/NZS 401261%

AVERAGE PARTICULATE EMISSION FACTOR
WHEN TESTED IN ACCORDANCE WITH AS/NZS 40131.0 G/KG

MAXIMUM AVERAGE HEAT OUTPUT9.8 KW

CATALYTIC COMBUSTORNO

APPROVED FUELBURN ONLY HARDWOOD WITH A MOISTURE
CONTENT LESS THEN 25% (dry basis)

Wetback - All ModelsWetbacks are NOT approved option and must
Not be fitted

Manufactured By:Burning Technology - Stupkova - 952/18, Nova
Ulice, 77900, Olomouc - Czech Republic EU

Serial No.

BARCODE LABEL

2020 2021 2022 JAN FEB MAR APR MAY JUN JUL AUG SEP OCT NOV DEC

Date of manufacture / Date de fabrication 7038-200 R4

Made in the EU

INSTALLATION
DATE: / /



WARNING



If the information in these instructions is not followed exactly, a fire could result causing property damage, personal injury, or death.

- Do not store or use gasoline or other flammable vapours and liquids in the vicinity of this or any other appliance.
- Do not over fire - If appliance or chimney connector glows, you are over firing. Over firing will void your warranty.
- Comply with all minimum clearances to combustibles as specified. Failure to comply may cause house fire.

Fire Risk.

For use with solid wood fuel only.

Other fuels may over fire and generate poisonous gases (i.e. carbon monoxide).

INSTALLATIONS TO COMPLY WITH AS/NZS 2918:2018



IMPORTANT

Compliance label is positioned on the unit inner heat shield. Record the serial number on the above label for reference prior to installation when using the unit rear heat shield or installation as an insert or zero clearance.

1. Compliance - General installation

GETTING STARTED

A. Design and Installation Considerations

Consideration must be given to:

- Safety
- Convenience
- Traffic flow
- Chimney and chimney connector required

It is a good idea to plan your installation on paper, using exact measurements for clearances and floor protection, before actually beginning the installation. If you are not using an existing chimney, place the appliance where there will be a clear passage for a factory-built listed chimney through the ceiling and roof.

We recommend that a qualified building inspector and your insurance company representative review your plans before and after installation.

If this appliance is in an area where children may be near it is recommended that you purchase a decorative barrier to go in front of the appliance. Remember to always keep children away while it is operating and do not let anyone operate this appliance unless they are familiar with these operating instructions.

CAUTION

Check building codes prior to installation.

- Installation MUST comply with local, regional, state and national codes and regulations.
- Consult insurance carrier, local building, fire officials or authorities having jurisdiction about restrictions, installation inspection, and permits.

B. Fire Safety

To provide reasonable fire safety, the following should be given serious consideration:

1. Install at least one smoke detector on each floor of your home to ensure your safety. They should be located away from the heating appliance and close to the sleeping areas. Follow the smoke detector

manufacturer's placement and installation instructions, and be sure to maintain regularly.

2. A conveniently located Class A fire extinguisher to contend with small fires resulting from burning embers.
3. A CO detector should be installed in the room with the appliance.
4. A practiced evacuation plan, consisting of at least two escape routes.
5. A plan to deal with a chimney fire as follows: In the event of a chimney fire:
 - Evacuate the house immediately
 - Notify fire department.

WARNING

Asphyxiation Risk.



- Do NOT connect this appliance to a chimney flue servicing another appliance.
- Do NOT connect to any air distribution duct or system.

May allow flue gases to enter the house.

C. Negative Pressure

WARNING

Asphyxiation Risk.



- Negative pressure can cause spillage of combustion fumes, soot and carbon monoxide.
- Appliance needs to draft properly for safety.

Negative pressure results from the imbalance of air available for the appliance to operate properly. It can be strongest in lower levels of the house.

Causes include:

- Exhaust fans (kitchen, bath, etc.)
- Range hoods
- Combustion air requirements for furnaces, water appliances and

other combustion appliances

- Clothes dryers
- Location of return-air vents to furnace or air conditioning
- Imbalances of the HVAC air handling system
- Upper level air leaks such as:
 - Recessed lighting
 - Attic hatch
 - Duct leaks

NOTICE

VisionLINE ASSUMES NO RESPONSIBILITY FOR THE IMPROPER PERFORMANCE OF THE APPLIANCE SYSTEM CAUSED BY:

- Inadequate draft due to environmental conditions
- Down drafts
- Tight sealing construction of the structure
- Mechanical exhausting devices
- Over drafting caused by excessive chimney heights
- Ideal performance is with height of chimney between 14-16 feet (4.26-4.88m) measured from the base of the appliance.

To minimise the effects of negative air pressure:

- Install optional outside air kit with the intake facing prevailing winds during the heating season
- Ensure adequate outdoor air for all combustion appliances and exhaust equipment
- Ensure furnace and air conditioning return vents are not located in the immediate vicinity of the appliance
- Avoid installing the appliance near doors, walkways or small isolated spaces
- Recessed lighting should be a "sealed can" design
- Attic hatches weather stripped or sealed
- Attic mounted duct work and air handler joints and seams taped or sealed
- Basement installations should be avoided

1. Compliance - General installation



WARNING



Fire Risk.

VisionLINE fireplaces disclaims any responsibility for, and the warranty will be voided by, the following actions:

- Installation and use of any damaged appliance.
- Modification of the appliance.
- Installation other than as instructed by VisionLINE fireplaces.
- Installation and/or use of any component part not approved by VisionLINE fireplaces.
- Operating appliance without fully assembling all components.
- Operating appliance without legs attached (if supplied with appliance).
- Do NOT Over fire - If appliance or chimney connector glows, you are over firing.

Any such action that may cause a fire hazard.

D. Tools And Supplies Needed

Before beginning the installation be sure the following tools and building supplies are available:

Reciprocating saw	Flat blade screwdriver
Framing material Pliers	Electric drill and bits
High temp caulking material	Plumb line
Hammer	Safety glasses
Gloves	level
Phillips screwdriver	Tape measure
Framing square	Misc. Screws and nails
10mm socket or wrench	10-20mm self-drilling screws

E. Inspection of Appliance and Components

- Remove appliance and components from packaging and inspect for damage.
- Report to your dealer any parts damaged in shipment.

- **Read all the instructions before starting the installation. Follow these instructions carefully during the installation to ensure maximum safety and benefit.**



Fire Risk.

Inspect appliance and components for damage. Damaged parts may impair safe operation.

- Do NOT install damaged components.
- Do NOT install incomplete components.
- Do NOT install substitute components. Report damaged parts to dealer.



NOTICE

VisionLINE ASSUMES NO RESPONSIBILITY FOR THE IMPROPER PERFORMANCE OF THE APPLIANCE SYSTEM CAUSED BY:

- Inadequate draft due to environmental conditions
- Down drafts
- Tight sealing construction of the structure
- Mechanical exhausting devices
- Over drafting caused by excessive chimney heights
- Ideal performance is with height of chimney between 14-16 feet (4.26-4.88m) measured from the base of the appliance.

2

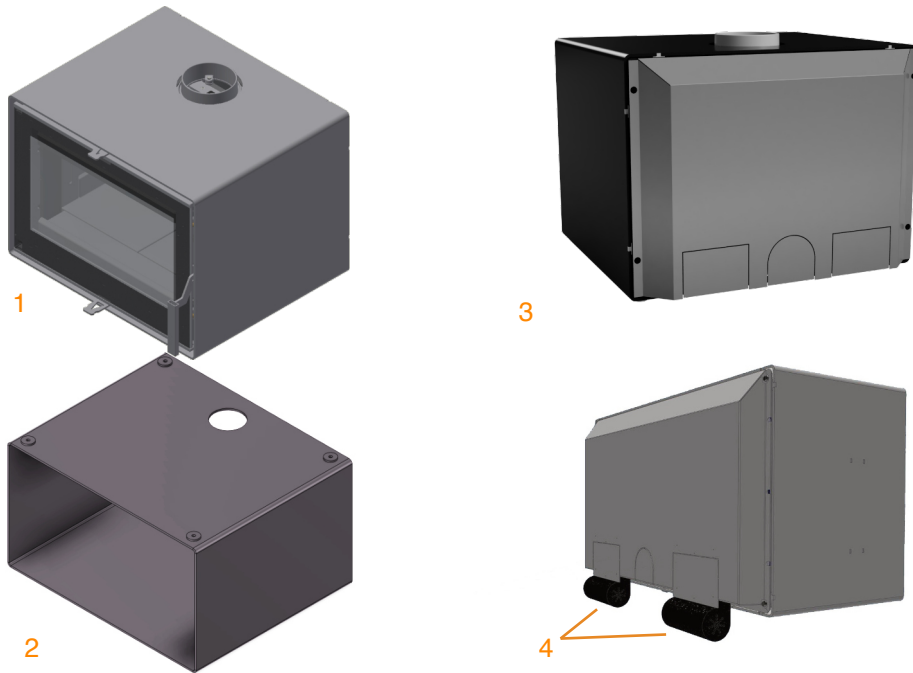
Components

Phoenix Freestanding	8
Phoenix Inbuilt- Zero Clearance	8
Phoenix ZC Flue	10

2. Components -

Phoenix Freestanding

#	PRODUCT CODE	DESCRIPTION	INCLUDED OR OPTION	QTY
1	PHOENIX	Phoenix wood stove		1
2	PED-PHOENIX	Phoenix wood storage pedestal	Option	1
3	PHOENIX-HEATSHIELD	Phoenix rear heat shield for FS installs	option	1
4	TAURUS-FAN	Fan to suit Taurus/Phoenix	option	2



Phoenix Inbuilt - Zero Clearance

#	PRODUCT CODE	DESCRIPTION	INCLUDED OR OPTION	QTY
1	PHOENIX	Phoenix wood stove		1
5	ZC-INPH	Phoenix insulated zero clearance case	required	1
	Shown in image	50mm standard fascia	Included	1
	Info on options on page 9	80mm pellet pipe kit	required	1
	VFKIT6-ZC1	3.5mtr Safety vent inbuilt kit	required	1
8	ZC-IN-LVPH	Forward facing vent kit	Option 1	1
	ZC-IN-SV	Side facing vent kit	Option 2	2
	ZC-IN-IV	Side intake vent	Option	2

Actual vent component may vary from sample image



2. Components -

Phoenix Inbuilt - Zero Clearance

VENT OPTIONS

The insulated zero clearance box requires relief venting (in and out) for the zero clearance box and chimney breast.

- Intake vents are to be an indirect connection to provide air flow into the cavity passively. Intake size should be minimum 40,000mm² in total. (2x 200mm x 100mm vents)
 - ZC-IN-IV is not compulsory and alternate self sourced intake vents can be used and do not need to be constructed of metal
- Outlet vents are to be a direct connection via the 80mm insulated pipe to either the forward facing vent or 2x side facing vents.
 - Metal outlet vents are compulsory due to heat and connection to the 80mm insulated pipe.

Outlet vents also provide venting for the cavity via a central cutout (not visible)

Note: Outlet vents must be a minimum 200mm down from the ceiling

ZC-IN-LVPH

Forward facing vent



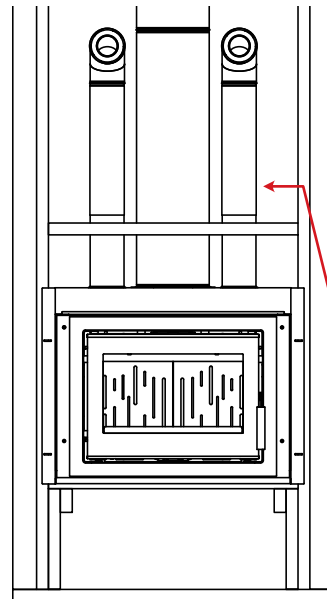
ZC-IN-SV

Side facing vent - 2x required



ZC-IN-IV

Side intake vent - 2x required



Relief venting can be pointed to exit the sides of the cavity

RELIEF VENT KITS

CODE	DESCRIPTION	COMPRISING
INPH-FRVK	Phoenix ZC REG Relief Vent kit - FWD Facing	Forward Facing Vent 2x 540-900mm adjustable pipe 2x 90 degree elbows 2x 220-380mm adjustable pipe
INPH-FLVK	Phoenix ZC LRG Relief Vent kit - FWD Facing	Forward Facing Vent 2x 500mm straight pipe 2x 540-900mm adjustable pipe 2x 90 degree elbows 2x 220-380mm adjustable pipe
INPH-SRVK	Phoenix ZC REG Relief Vent kit - SIDE Facing	2x Side facing vent 2x 540-900mm adjustable pipe 2x 90 degree elbows 2x 45 degree elbows 2x 150mm pipe
INPH-SLVK	Phoenix ZC LRG Relief Vent kit - SIDE Facing	2x Side facing vent 2x 500mm straight pipe 2x 540-900mm adjustable pipe 2x 90 degree elbows 2x 45 degree elbows 2x 150mm pipe

Extra pipe is available in various sizes for custom lengths

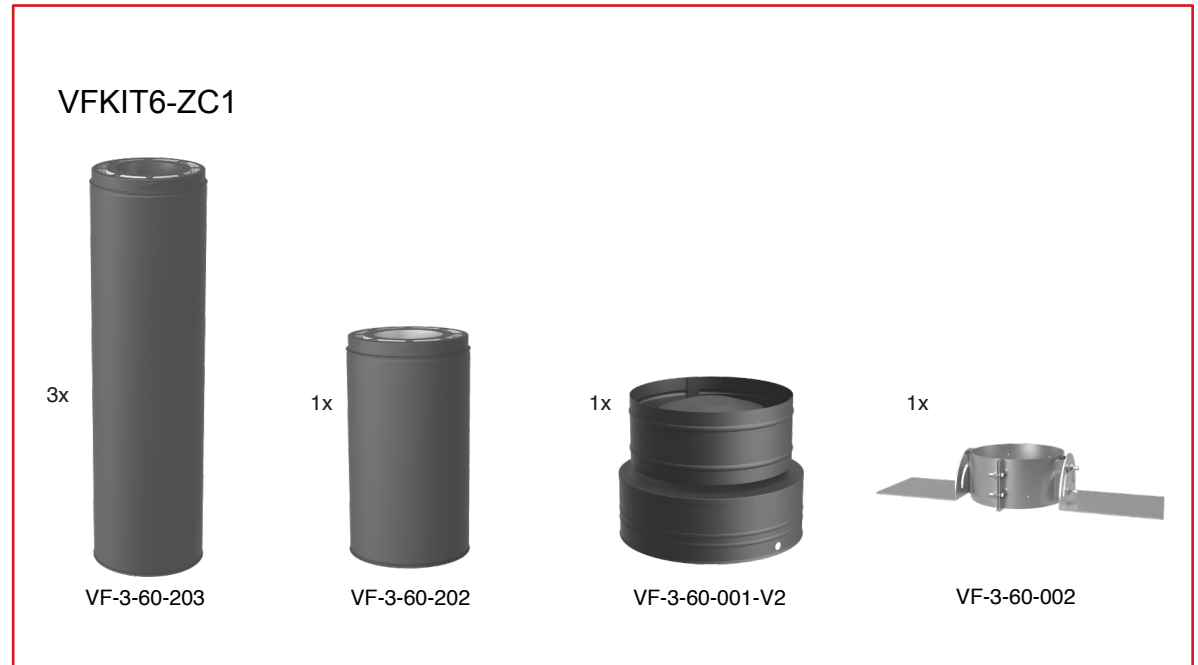
Kits required or build your own

2. Components -

Phoenix ZC flue

	Product Code	Description
FLUE KIT	VFKIT6-ZC1	SAFETY VENT KIT - INSULATED ZC ONLY
EXTRA COMPONENTS		
SAFETY VENT LENGTHS	VF-3-60-201	AIR FLUE 6" SAFETY VENT 250MM
	VF-3-60-202	AIR FLUE 6" SAFETY VENT 500MM
	VF-3-60-203	AIR FLUE 6" SAFETY VENT 1000MM
ELBOW	VF-3-60-245	AIR FLUE 6" SAFETY VENT 45 ELBOW
	VF-3-60-246	AIR FLUE 6" ELBOW SUPPORT BRACKET KIT (v2) (2 PIECES)
BRACING OPTIONS	VF-3-60-002	AIR FLUE 6" SUPPORT 1
	VF-3-60-003	AIR FLUE 6" SUPPORT 2
	VL6RB-KIT-BL	AIR FLUE ROOF BRACE KIT - BLACK
COWL	VF-3-60-001-V2	AIR FLUE 6" RAIN CAP V2

Refer to the air flue installation manual for full instructions



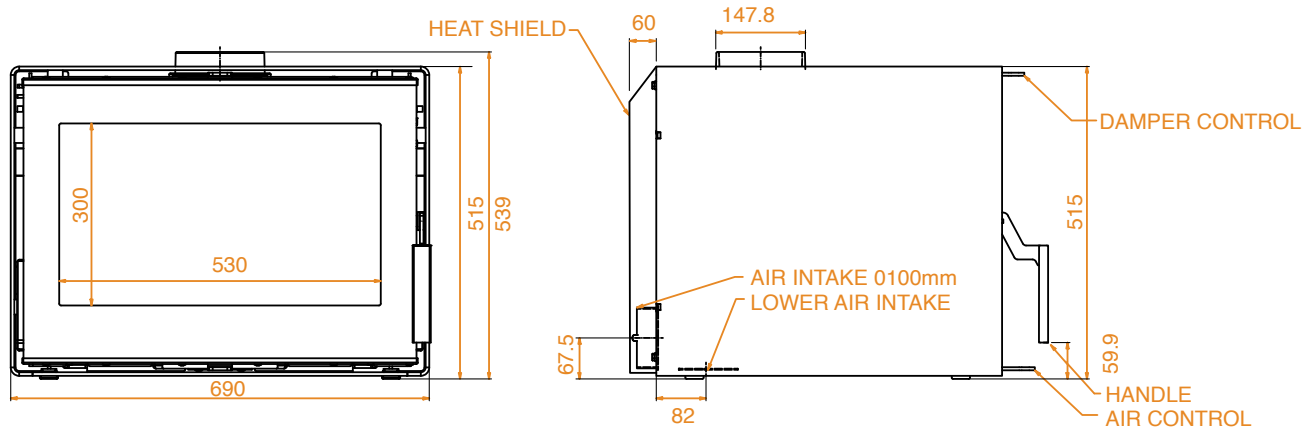
3

Dimensions

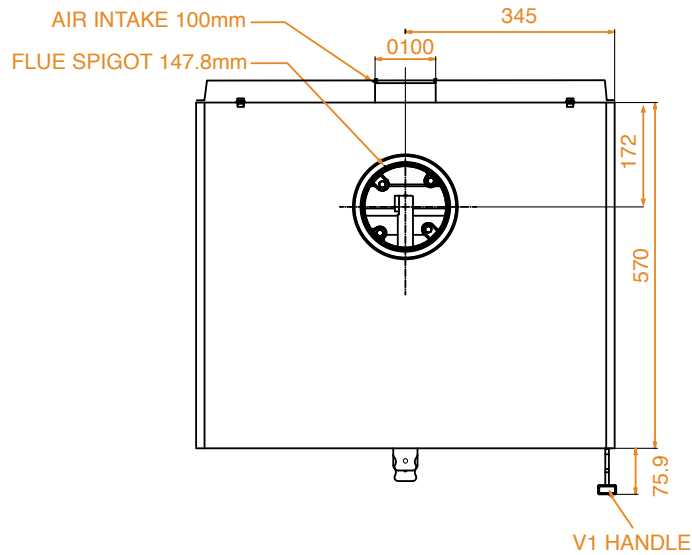
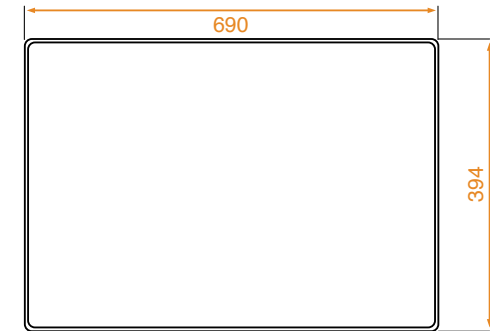
Unit and Base	12
Zero Clearance Case	13
Relief Vents	14

3. Dimensions - Unit and Base

UNIT



BASE

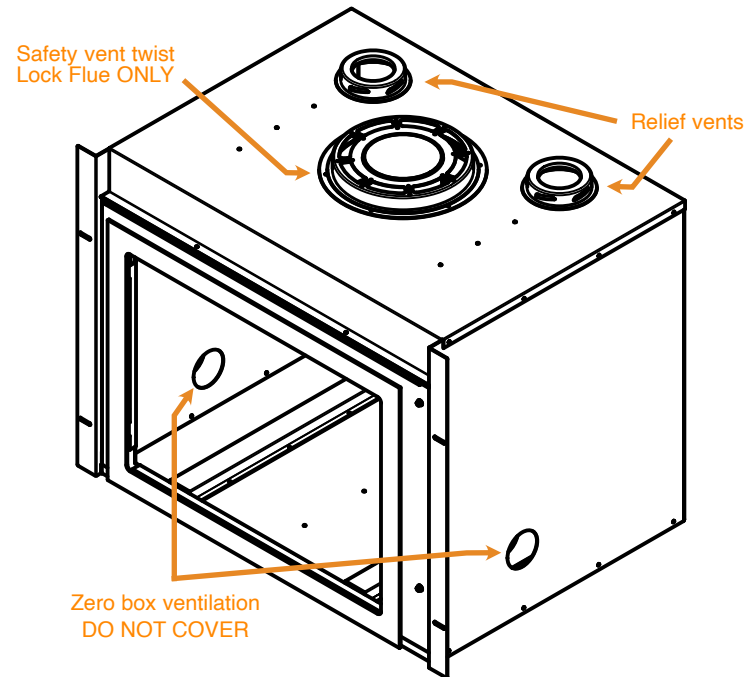
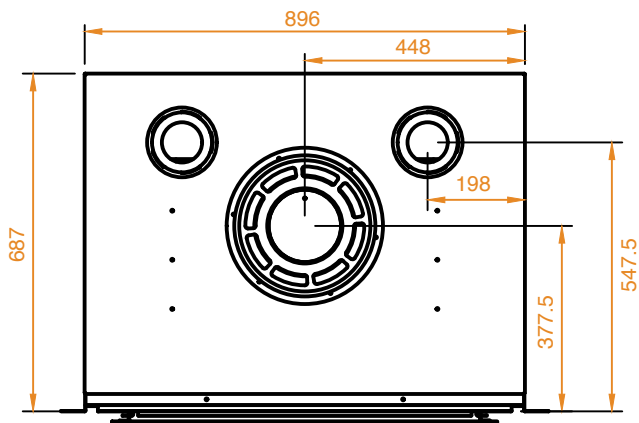
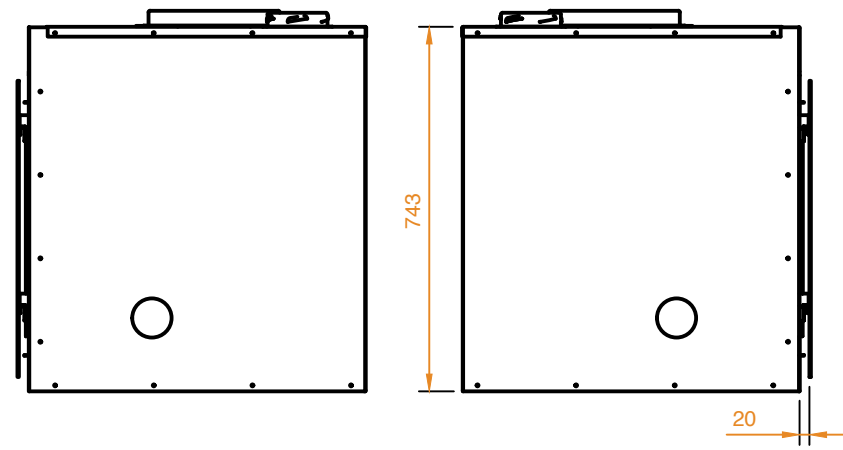
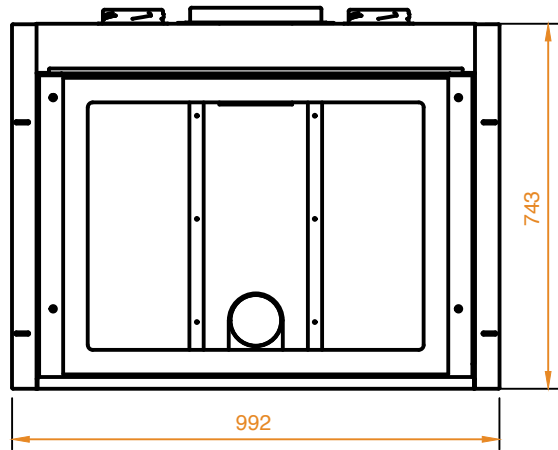


Note:

- The Phoenix Firebox weighs approx. 270kg including base.
- To safely lift the unit on the base for positioning, the unit should be stripped of as much weight as possible by removing all bricks and the door assembly. See page 32
- Heat shield is required for all freestanding installations with a combustible wall behind and for fan installation. See page 19
- Typical flue size for triple cased flue
150mm | 200mm | 250mm

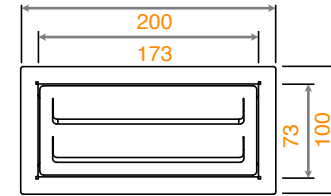
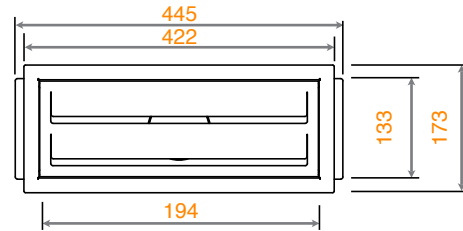
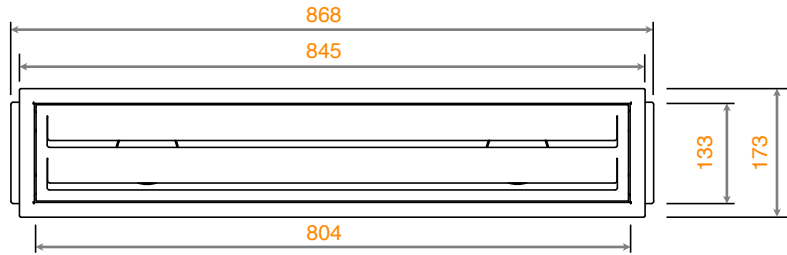


3. Dimensions - Zero clearance case

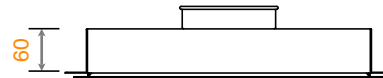
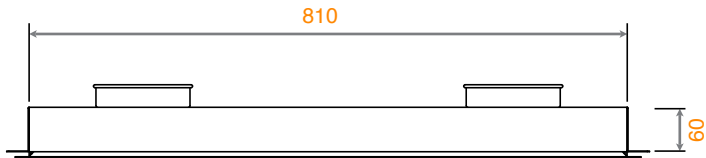


3. Dimensions - Relief Vents

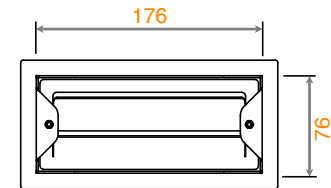
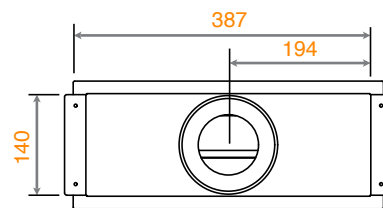
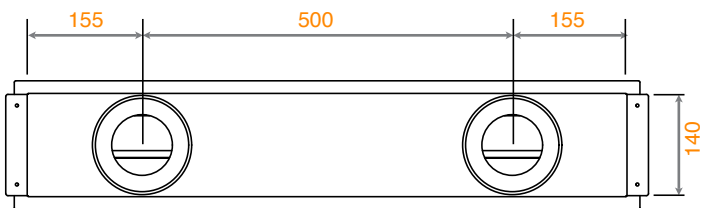
Front



Top



Rear



ZC-IN-LVPH
Forward facing vent

ZC-IN-SV
Side facing vent - 2x required

ZC-IN-IV
Side intake vent - 2x required

4

Installation

Hearth and Clearances FS	16
Rear Heat Shield	19
Hearth and Clearances Inbuilt ZC	20
Framing for Insulated ZC	21
Assembly of Insulated ZC	22
Masonry Insert Consideration	

4. Installation - Hearth and Clearances - Freestanding

The VisionLINE Phoenix may require an insulating Floor Protector depending on the installation type. It is tested and complies with the minimum Floor Protector requirements of AS/NZS 2918:2018. See below for Hearth specifications.

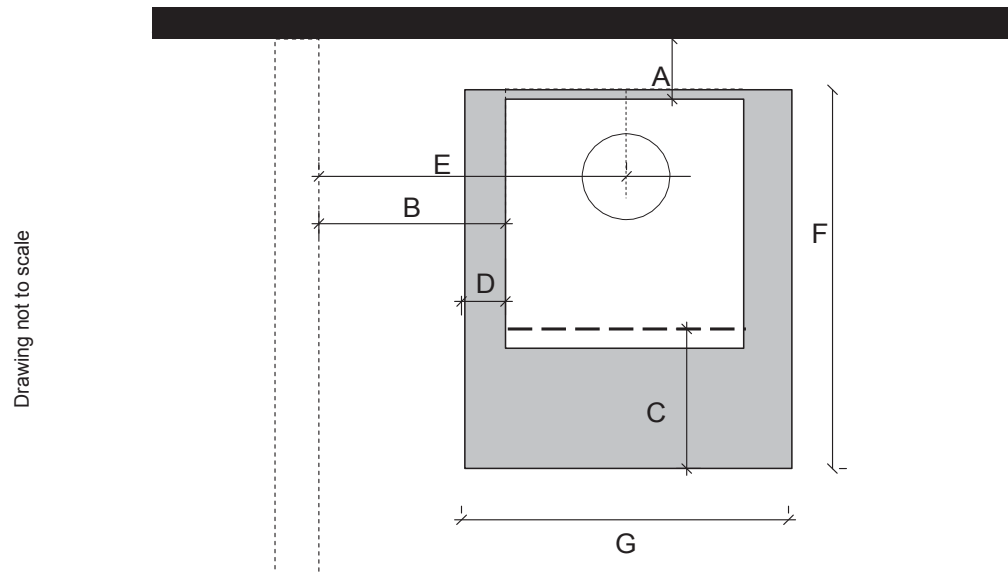
Note:

- The minimum Floor Protector sizes are specified in the clearance chart as below.
- A Floor Protector can include ceramic tiles with grouted joints fixed directly onto a wooden floor or a steel panel or any other non combustible material laid directly onto a wooden floor.
- If installed directly onto a concrete slab, the concrete slab can be considered as the floor protector, but must maintain the minimum thickness of 50mm.

Hearth Thickness - 6mm min thick hearth when unit is installed on optional raised wood storage base

PARALLEL POSITIONING

Fig. 1



Drawing not to scale

Minimum depth (F) will mean there is space behind the appliance where a floor protector isn't required but may be desired aesthetically.

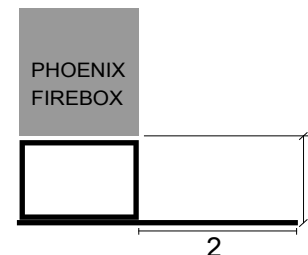
** When installed with an additional 900mm high x 180° stainless steel rear flue shield fitted between the solid casing and the active flue, the rear wall clearance can be reduced to **150mm** from a combustible wall*

*** When installed with an additional 900mm high x 180° stainless steel rear flue shield fitted between the solid casing and the active flue, the rear wall clearance can be reduced to **250mm** from a combustible wall*

If being installed against a fully non-combustible wall, 50mm spacing is recommended for servicing access.

FS installations only - Additional rear unit heat shield must be installed unless against a non-combustible wall.

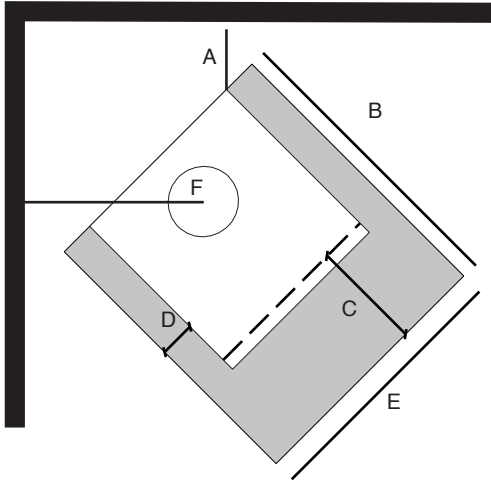
	PHOENIX - PARALLEL	8" MESH CASING	8" SOLID CASING
A	MIN. CLEARANCE FROM FIREBOX TO REAR WALL	*350MM	**400MM
B	MIN. CLEARANCE FROM FIREBOX TO SIDE WALL	425MM	450MM
C	MIN. DISTANCE FROM FIREBOX OPENING TO FLOOR PROTECTOR FRONT	300MM	300MM
D	MIN DISTANCE FROM FIREBOX TO FLOOR PROTECTOR SIDE	120MM	120MM
E	MIN DISTANCE FROM CENTRE OF FLUE TO SIDE WALL	775MM	800MM
F	MIN DEPTH OF FLOOR PROTECTOR	870MM	870MM
G	WIDTH OF FLOOR PROTECTOR	930MM	930MM



1	HEIGHT OF UNIT ABOVE FLOOR	50MM	394MM
2	HEARTH PROJECTION	470MM	300MM

4. Installation - Hearth and clearances - Freestanding

CORNER POSITIONING



Please note: 300mm hearth projection min. when using optional wood storage base/ pedestal

Corner installation requires an additional 900mm high x 180° stainless steel flue shield fitted between mesh or solid casing and active flue

Additional rear unit heat shield must be installed unless against a non-combustible wall.

PHOENIX - CORNER POSITIONING		8" MESH CASING	8" SOLID CASING
A	MIN. CLEARANCE FROM FIREBOX TO CORNER WALL	150MM	225MM
B	MIN DEPTH OF FLOOR PROTECTOR	870MM	870MM
C	MIN. DISTANCE FROM FIREBOX OPENING TO FLOOR PROTECTOR FRONT	300MM	300MM
D	MIN DISTANCE FROM FIREBOX TO FLOOR PROTECTOR SIDE	120MM	120MM
E	WIDTH OF FLOOR PROTECTOR	930MM	930MM
F	CENTRE OF FLUE TO SIDE WALLS	516MM	594MM

4. Installation - Freestanding

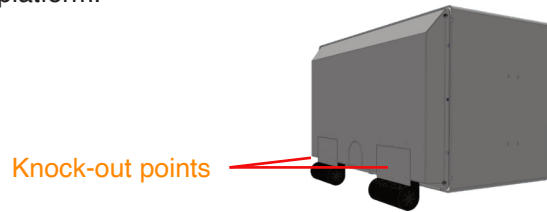
FAN PROVISION

If optional fans are used, ensure there is provision for 2x power points. Power cord requires a single 240v 10amp GPO each.

To install fans, use 10mm self tapping screws (not supplied).

Alternatives to the Pedestal base is possible and should be constructed out of non-combustible materials such as steel or natural stone. If placing at an elevated height (50mm min) above the floor, refer to FIG 1 page 16 for hearth requirements and clearances.

The unit heat shield has 3 knock-out points as per below. If placing on an alternate base, the left and right knockout points should be removed to elevate the fan position so as to not foul on the platform.



Fans cannot be installed on inbuilt installations unless provision is provided for servicing access.

Note: *Insulated Zero Clearance installation will not have fan installation and servicing access and cannot be installed as such.*

Optional fans should not be used within 45 minutes of starting the fireplace, this allows the firebox to warm up prior to heat being pulled from the heat exchanger.

Using the optional fans prior will reduce the heat output of the fire and delay the warm up process dramatically.

Optional fans require a standard double 240v GPO situated on the wall directly behind the fireplace.



Please Note - Fans should be switched off when fireplace door is opened

Failure to do so may result in smoke being blown into the room.

OUTSIDE AIR

The Phoenix can be connected to outside air via the central air intake at the rear or base of the unit (See line drawings on page 12). This can be via rigid or flexible connection to a vermin proof cap on the exterior of the building.

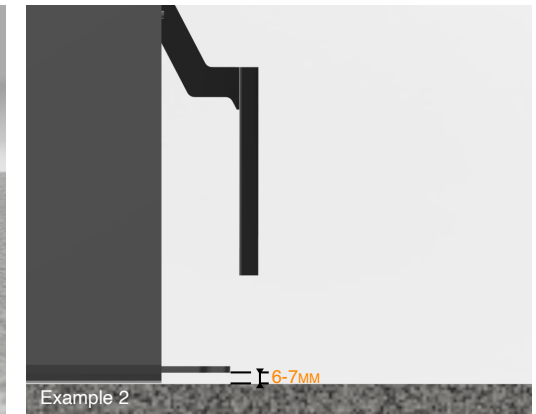
For FS installations remove central rear knockout point on the rear heat shield in all situations except when using outside air through the lower air intake.

Please note: *The outside air duct must be led outdoors or into a well-ventilated room inside the building (cellar, utility room, etc.).*

FLOATING HEARTH

For a floating hearth, consideration should be given to the usability of the burn rate control handle due to the low position location. See example 1 & 2.

Nylon feet should remain on the unit for spacing off the hearth material.



4. Installation

INSTALLING REAR HEAT SHIELD

- Remove the 4x 10mm bolts holding the internal shield onto the fireplace and place (inner surface up) on a flat working surface. Ensure to retain the 10mm bolts to re-install.
- Insert 8x cage nuts into the square holes on the back side of internal shield. (FIG 1)
- Return internal shield back onto the unit and secure with the 10mm bolts.
- Remove the outside air rear spigot (FIG 3) if not using for an outside air direct connection or remove the knock out point on rear shield (FIG 4) so the rear shield can be fitted.
- Place the heat shield onto the unit and secure using the supplied 10mm bolts into the cage nuts on the internal shield (FIG 5)

VisionLINE Taurus shown; instructions and images still applicable for Phoenix



FIG 1.



FIG 2.



FIG 3.



FIG 4.

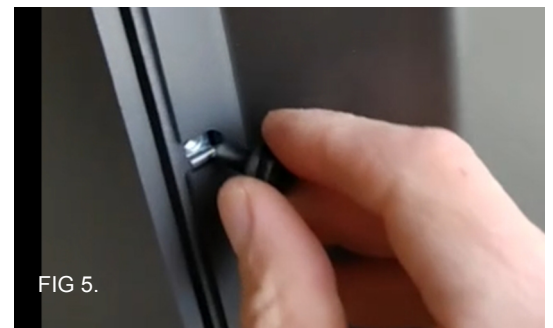


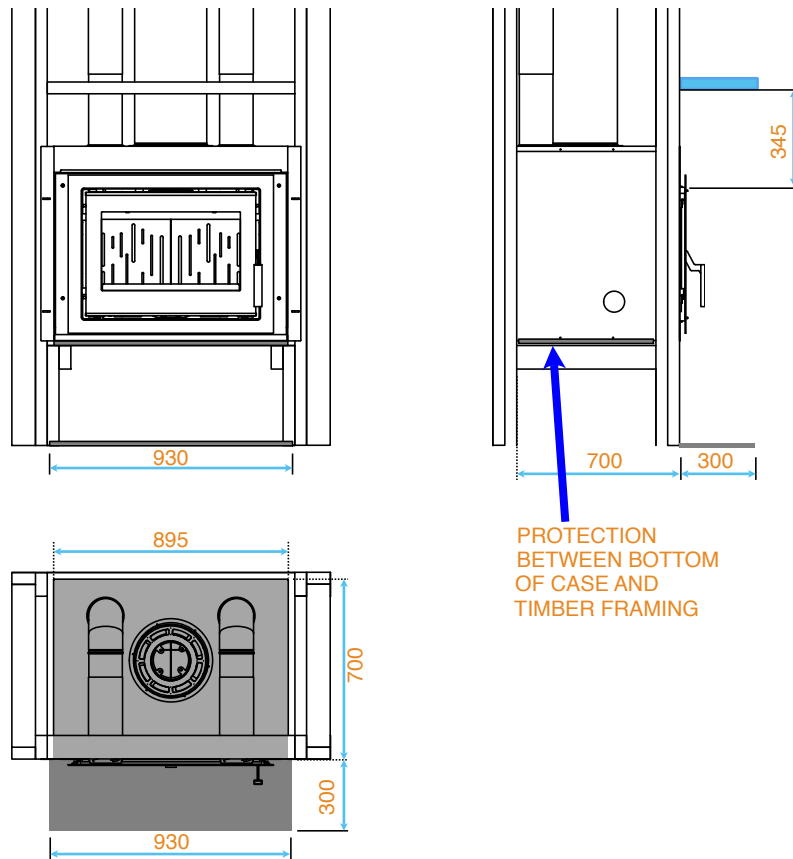
FIG 5.

4. Installation - Hearth and Clearance - Inbuilt ZC

The Phoenix Inbuilt and Zero Clearance box must only be installed with a Visionline Safety Vent Air (6") flue kit. Refer to page 26 for these instructions.

A minimum **700mm** deep x **895mm** wide x **6mm** thick floor protector (compressed board) should be used under the appliance base when installing the appliance and a minimum **930mm** wide x **300mm** deep x **6mm** thick floor protector (compressed board) must be used in front of the enclosure base when installing the appliance (see joint AS/NZS 2918:2018 3.3.2).

The floor protector should extend **300mm** in front of the appliance door and be placed centrally in the **930mm** width.

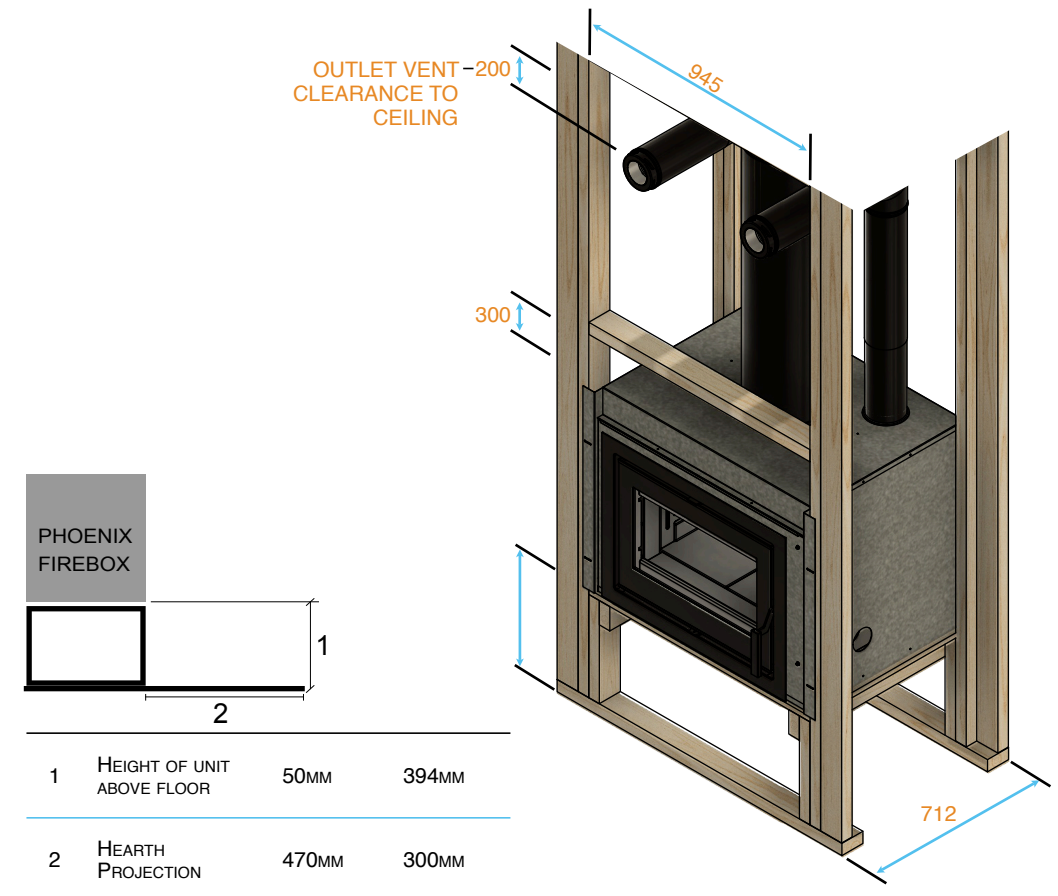


Maintain the following clearances to combustible material from the zero clearance box;

- Min 25mm to framing sides and back
- Min 300mm to header stud
- Min 60mm to side wall cladding
- Facing material should be non combustible for the whole facing wall (see finishing section on page 21).
 - Similar non-combustible material may be used for stone or tile facing installations.

Things to note:

1. Avoid using cement sheet style products as a finishing material under 9mm to avoid inherent cracking with fibre cement type product.
2. Fascia/surround finishing has been designed around 16mm thickness material. Thinner materials will result in a gap between the wall and fascia.

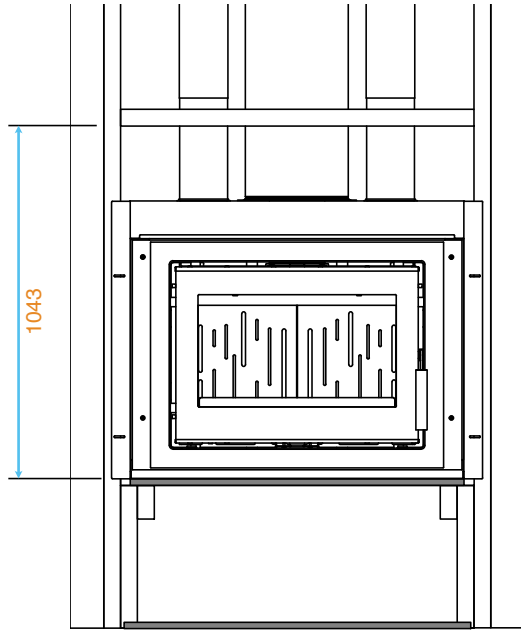


4. Installation - Framing for Insulated ZC

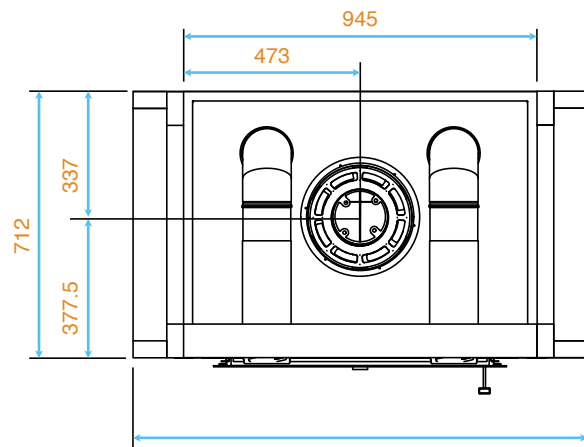
TIMBER FRAMING

Frame opening of 1043mm (h) x 945mm (w) x 712mm (d)

FRONT ELEVATION



PLAN VIEW



*1247mm min for side exit relief venting to allow for kit configuration to fit.

FINISHING

Recommend use of a single sheet of non-combustible board (recommend Ceminseal Wallboard 12mm) for facing material with a rectangular cut out for the surround. Pack out with hardwood packer strips (3mm) along framing to achieve flush surround finish. Box and surround are designed for 14-16mm finishing material depth.

Where finishing materials exceed 16mm (such as stone finish), an optional forward return surround can be used to assist in a finishing edge.

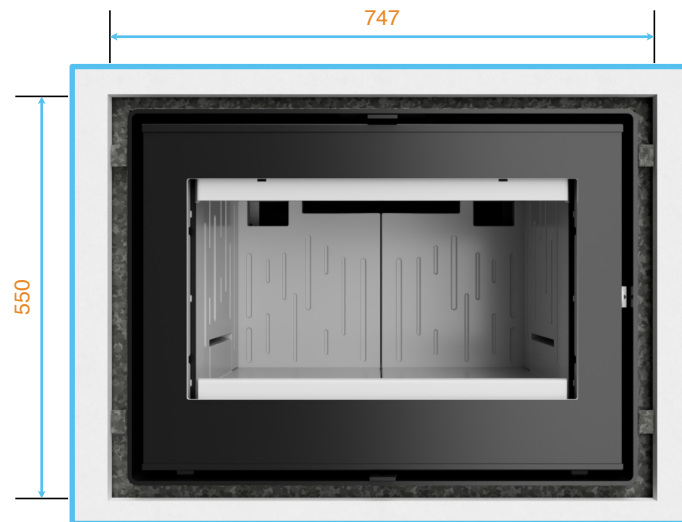
Ensure no joins are floating and left unsecured onto framing.

Recommended minimum cut out dimension for the opening is 550mm (H) x 747mm (W) as below to clear the surround mounting tabs.

Surround measurement to the outer edge is 604mm (H) x 784mm (W)

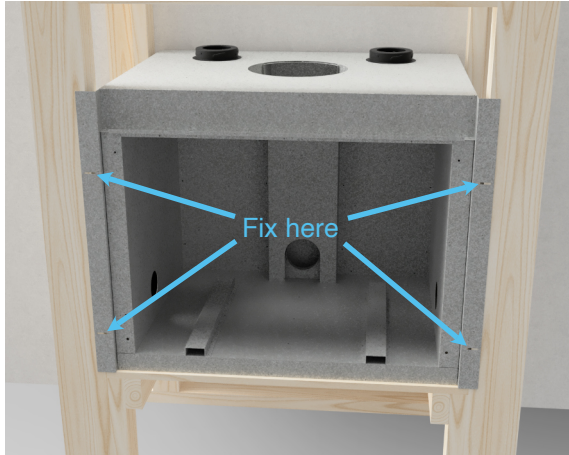
Avoid light coloured paint finishes as it can lead to smoke and heat staining from normal use.

**Note: For side exit relief venting, outer framing width should be no less than 1247mm*

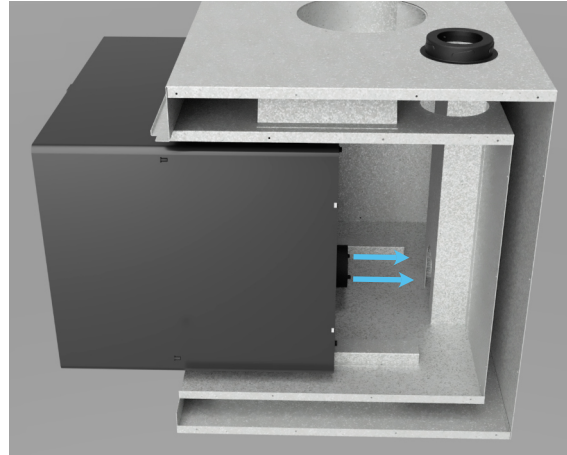


4. Installation - Assembly of Insulated ZC

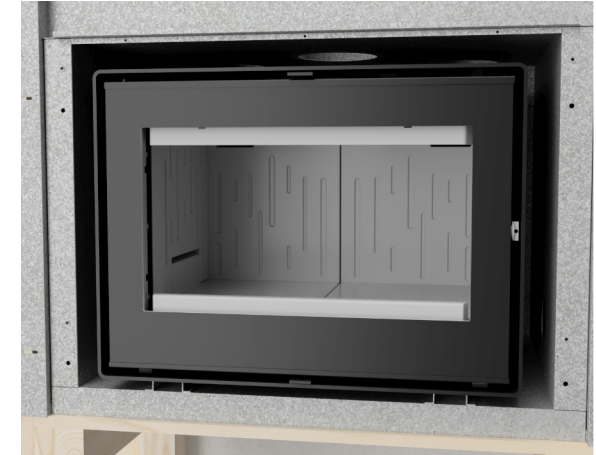
1. Position ZC box within cavity on top of Cement sheet as per page 19 and secure using the side fixing points on the front of case.



2. Position Phoenix into ZC case centrally. Ensure outside air intake engages to channel at the rear. Turning tabs from 100mm spigot inwards may be required.



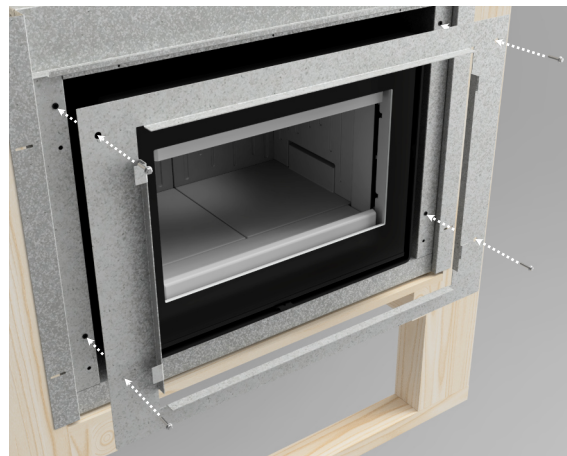
Mechanical lifting aids may be required to assist and safely install. Unit should sit proud of the ZC case front top lip by approximately 17mm



3. Attach flue adapter to unit and secure using self tapping screws (not supplied)



4. Attach inner fascia to the ZC case using supplied 8mm bolts and washers into captive nuts.



Unit is now ready for flue and relief vent installation. Install 50mm fireplace surround after the facing material is complete.



4. Installation - Masonry Insert Considerations

Inserting the freestanding unit into a brick/hebel structure AS/NZS 2918 section 3.4.1.2 considerations are as follows.

Top of the enclosure shall be capped, and the capping shall be at least 5mm thick steel plate or at least 12mm thick heat-resistant material.

Where the flue system passes through the capping of the enclosure, the active flue shall be double cased and ventilated through the capping, the ventilation coming from inside the enclosure. The lower end of the casing shall be close fitting against the enclosure capping.

The outer casing shall have clearances to heat-sensitive material of not less than 25mm.

VisionLINE Safety Vent Air Flue can be used as an alternative to air cooled flue flue in this situation. If requiring outside air via this flue system, allow 100mm of extra cavity depth for the T-section and snorkel.

A chimney chase structure shall have obstruction free, vermin proof air vents to supply obstruction free air both at the bottom and the top termination point in order to ventilate the chimney chase cavity. Fig 1

Ventilation openings of not less than 10 000 mm² free space shall be provided near the base and the top of the enclosure. Flue casing ventilation shall not be considered part of the free space requirement.

See diagram for alternate cavity venting options

There shall be no combustibles on top of the chimney chase termination.

It is recommended to have a minimum 5-10mm gap around the sides and top of the fireplace to the masonry structure for expansion and contraction. If not using the Phoenix FS base, this can be covered with a custom made trim if required.

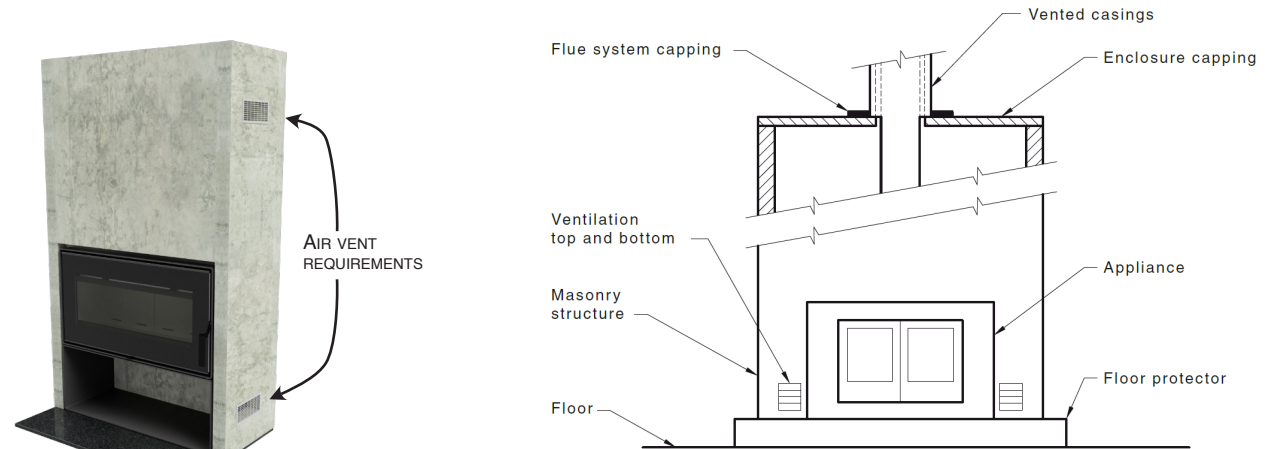
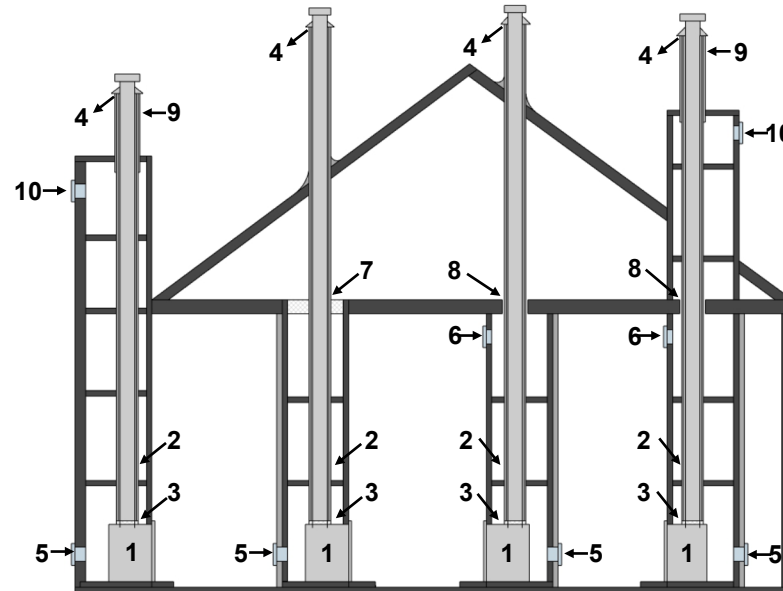


Fig 1

CAVITY VENTILATION OPTIONS



LEGEND

- 1. Appliance
- 2. Vented flue system with 2 casings
- 3. Flue system air inlet
- 4. Flue system air outlet
- 5. Bottom vent – cool air inlet
- 6. Room vent – interior hot air outlet
- 7. Ceiling vent – vermin proof mesh
- 8. Vented ceiling penetration
- 9. Venting through casing
- 10. Top side vent to built-in structure

- a) Exterior cavity
- b) Interior cavity open to roof space
- c) Interior cavity closed at ceiling
- d) Interior cavity closed at ceiling and additional termination cavity

5

Flue and Venting

General Installation	25
Insulated Zero Clearance	27
Insulated ZC Relief Venting	28

5. Flue - General installation

INSTALLING THE FLUE

On All Visionline units, the flue seats over the flue spigot and will slide down and rest in the lower channel. Friction fitment secures the flue on the spigot, no sealant required unless active flue is slack. In this case, using glass tape around the spigot or gasket cement should be used



Lower channel



Flue seated correctly.

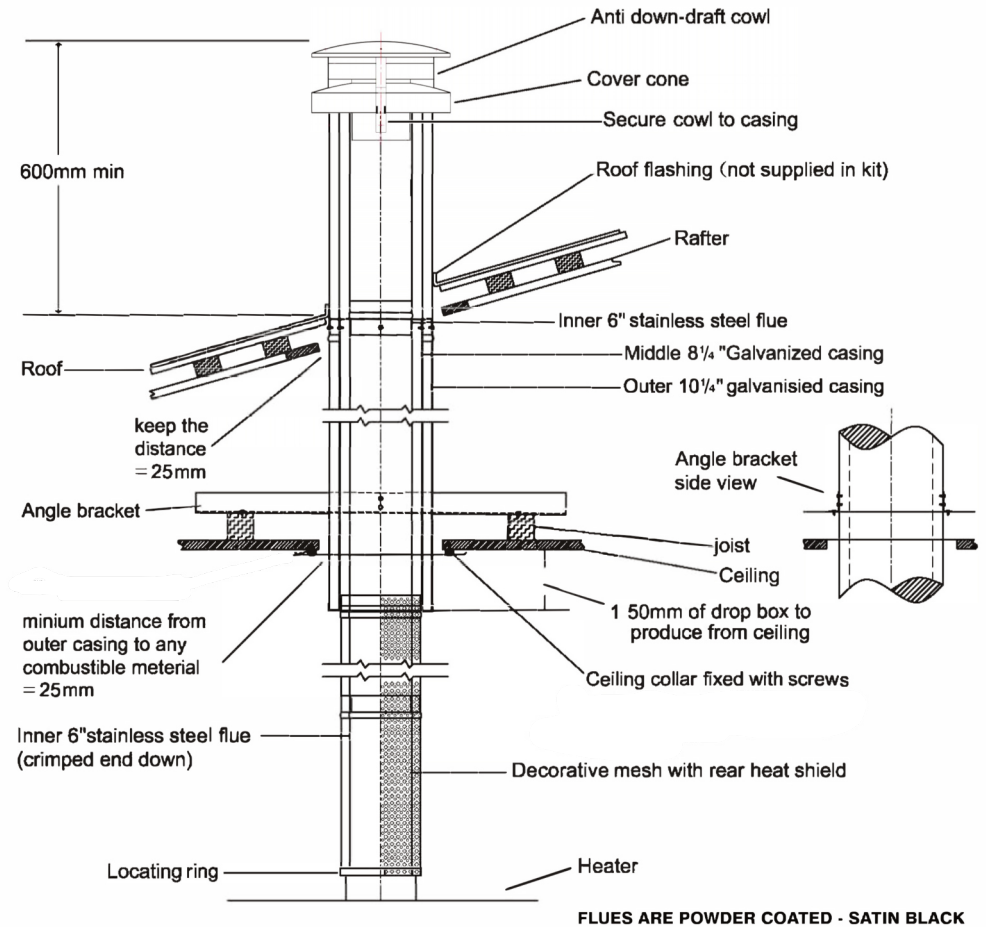
Remove crimp if connection is slack or not fitting tight against the spigot.

Please Note - Flue starter spigot removed from unit for demonstration purposes only, removal of this spigot is not required during flue installation.

VisionLINE fireplaces recommends using either VisionLINE SFS, VisionLINE IFS, or VisionLINE AFS+ flue kits.

DEFAULT 6" FLUE KIT

The following drawing is meant as a guide only. Your wood heater **must** be installed by a qualified person whose work conforms with local council regulations, Australia/New Zealand standards AS/NZS 2918:2001 & manufacturers recommendations



FLUES ARE POWDER COATED - SATIN BLACK

5. Flue - General installation

GENERAL INSTRUCTIONS

- Flue pipe installed crimp/narrow end down
- Outer casings installed crimped/narrow end up. (Critical when exposed above the roof)
- Inner casings - direction not critical
- Flue pipes - seal all joints including firebox spigot. - fix with a minimum of 3 stainless steel rivets
- Flue pipe spacers - affix to flue pipe
- Flue system termination point - Refer to AS/NZS 2918:2018 4.9.1.
- Flue pipe shall extend not less than 4.6m above top of the floor protector as per AS/NZS 2918:2018 4.9.1(a)
- Façade or chase systems - same rule applies as above.

UNIT IS APPROVED WITH EITHER MESH OR SOLID 8" OUTER SKIN - CLEARANCES VARY

Note: These instructions apply to 150mm diameter flue pipe systems as tested to AS/NZS 2918:2018

- Either locate the appliance in position or by measuring at the ceiling mark the flue pipe centre position. Check that the outer casing is unobstructed through the attic space or roof area.
- Spike the centre with a nail. Transfer this position to the next surface above. Plumb bob/ laser.
- Cut out the ceiling penetration hole – square or rectangle – short axis equals outer casing diameter plus 50mm, long axis as required. See Table 5 . Perform the same at the roof penetration.
- Frame out the hole with minimum 75 x 50 timber or as required for roofing material. Minimum requirement at roof penetration see NZ Building Code E2 Acceptable Solution (from 01/07/05).
- Install the outer casing so that :-
 - lower end is flush with the underside of the ceiling material and
 - with the addition of metal "L" brackets, affix to the outer casing at 90 degrees secure the outer casing centrally to the ceiling and roof nogs. Alternatively substitute the "L" brackets for 25mm thick non heat sensitive packers. Secure the outer casing through the packers with horizontal fixings to the nogs. Refer to the General Instruction for termination height. The option of outer casing slips to be taken into account.
- Flash the outer casing to the roof material with the appropriate approved flashing.
- If using an outer/inner casing combination, now install the inner casing ensuring it extends a minimum 200mm above the high side of the roof penetration. If not using a combination see '11' below.
- Refer to Firebox Installation, points 1 & 2.
- Prepare the ceiling plate and place upside down over the flue spigot.
- Install the flue pipes by preferred method – either up or down the outer casing. Affix each length per the notes in General Instructions (above). Extend the flue pipe above the outer casing to suit the casing cover/cowl assembly.
- If the inner casing has not been installed, install now. Refer to 7 above for minimum height.
- Install the cowl assembly, i.e. Top spacer, casing cover and cowl.

- Position and secure the ceiling plate with the screws and spacers.
- Wipe the flue pipe to remove finger marks.
- Refer to Firebox Installation, point 3.
- If flue offset is required, refer to AS/NZS 2918:2018 4.1

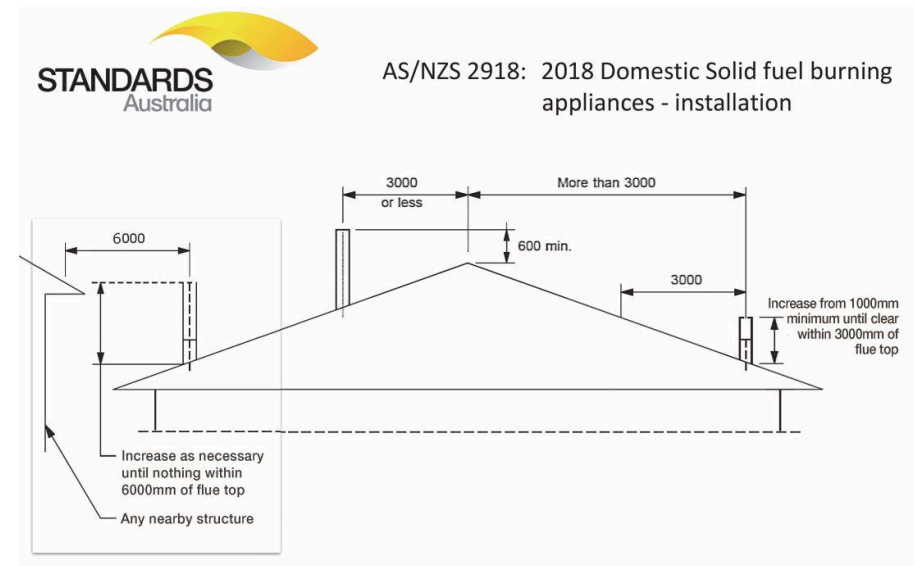
For Insulated type flue systems not contained in this manual, please refer to the manufacturers instructions

FLUE HEIGHT ABOVE ROOF

The flue pipe must extend 600mm above the highest point of the roof if within 3000mm.

If outside 3000mm, the pipe must extend until 3000mm is achieved to the roof structure (see below).

The flue pipe must continue until clear if it is within 3000mm of any structure, including but not limited to second story, neighbouring properties, trees and any nearby structures.



5. Flue - Insulated Zero Clearance

Once assembly has been completed as per page 21, install Safety Vent components of the Air Flue system.

Connect pipe to the flue adapter and twist lock in place and build from the unit up.

Note: 25mm clearance except 50mm clearance required at the twist lock joins

The Insulated zero clearance installation has been tested with a 'closed chase' type installation for passive style homes with a membrane seal at the ceiling and can be sealed using a rubber ring ceiling ring. VF-3-60-110R

Open chase to the ceiling cavity is also acceptable.

Ceiling of a closed chase installation must be non-combustible (cement sheet or similar).

Use Roof support 1 to take the weight of the safety vent pipe in the ceiling cavity.

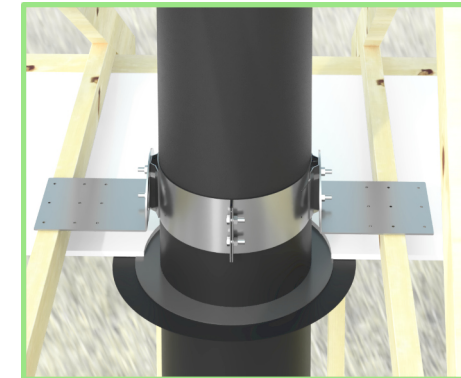
If elbows are required, use the supplied locking bands with elbow support kit VF-3-60-246.

Additional internal and external support are available.

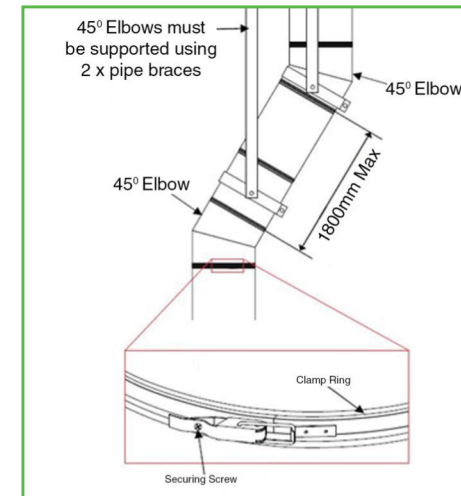
Refer to the flue installation guide for completion.



TWIST LOCK



ROOF SUPPORT 1 & CEILING RING EXAMPLE



ELBOW SUPPORT

5. Flue - Insulated ZC relief venting

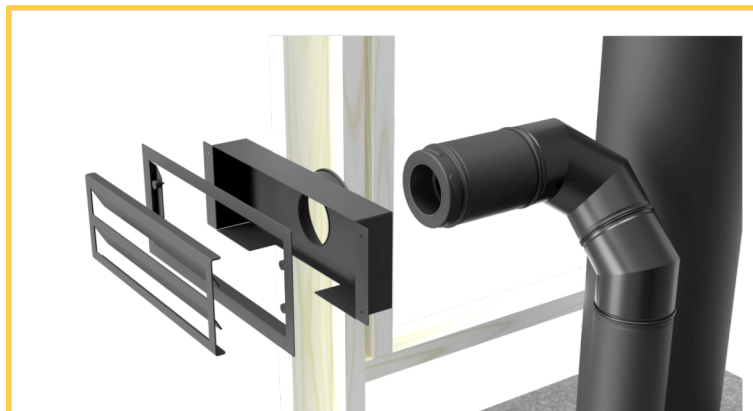
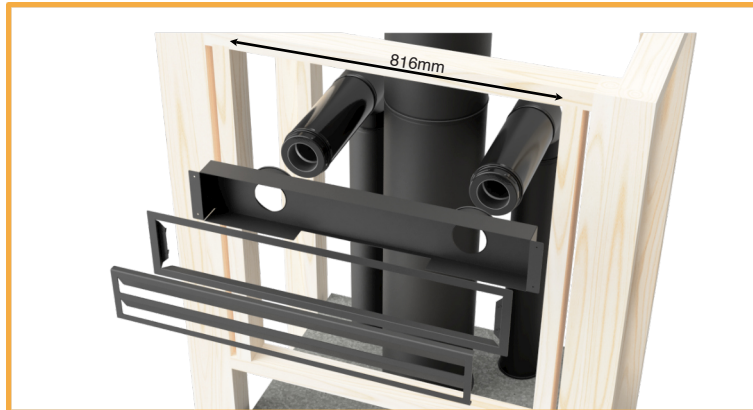
RELIEF VENT ASSEMBLY

1. Use either fixed length pipe or adjustable pipe (available in kit form or can be ordered individually) to set desired height from the 2x 80mm outlets on the Zero Clearance Case which ideally should be matched in height.

Note: Ensure relief vent is minimum 200mm from the ceiling at it's lowest point.

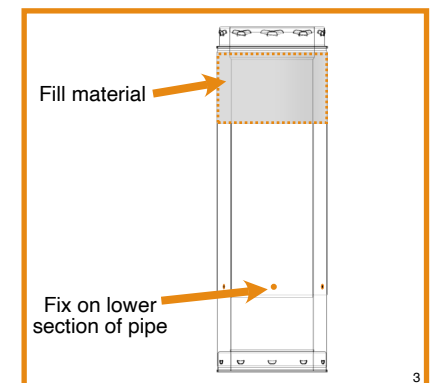
2. Add elbows as required to face either the front or sides. For side exit, use a combination of a 45° elbows and a 90 to centralise the pipe position. See example images.
3. Above the first header, add 2x additional studs for the forward facing vent with internal width of no less than 816mm for mounting the relief vent housing. For side facing vents, studs, frame for 405mm internal width on each side.
4. Connect pipe to the back vent box and affix to framing.
5. Add outer surround and vent cover once wall finishing has been completed.

High temperature sealant may be required to secure vent surround



PIPE CONNECTION

- When connecting the pellet pipe together (1), the twist lock joins press together with alternating teeth. Twist the top pipe clockwise to lock in place and continue for each length.
- Add elbow at the desired height to line up pellet pipe with relief vent.
- Kit comes with adjustable lengths but add lengths as required to fit the distance to relief vent.
- Locking bands (2) secure the pipe together to ensure a secure fit for added security.
- Adjustable pipe (3) comes with loose insulation fill material which once desired length is decided, fill material should be cut to suit and empty cavity of female pipe filled to ensure insulation fills entire pipe.
- Add additional 30mm more insulation than required to ensure correct compression and complete filling of material.
- Secure adjustable pipe once fitted to length with 3 stainless steel self tapping screws.



6

Operating Instructions

Considerations	30
General Operating	31
Over-fire Warnings	32
Cleaning and Inspection	33

6. Operation instructions - Considerations

AS/NZS 2918:2018 General Notes

WARNING: THE APPLIANCE AND FLUE SYSTEM SHALL BE INSTALLED IN ACCORDANCE WITH AS/NZS 2918 AND THE APPROPRIATE REQUIREMENTS OF THE RELEVANT BUILDING CODE OR CODES.

WARNING: APPLIANCES INSTALLED IN ACCORDANCE WITH THIS STANDARD SHALL COMPLY WITH THE REQUIREMENTS OF AS/NZS 4013 WHERE REQUIRED BY THE REGULATORY AUTHORITY, I.E. THE APPLIANCE SHALL BE IDENTIFIABLE BY A COMPLIANCE PLATE WITH THE MARKING 'TESTED TO AS/NZS 4013'.

ANY MODIFICATION OF THE APPLIANCE THAT HAS NOT BEEN APPROVED IN WRITING BY THE TESTING AUTHORITY IS CONSIDERED TO BE IN BREACH OF THE APPROVAL GRANTED FOR COMPLIANCE WITH AS/NZS 4013.

CAUTION: MIXING OF APPLIANCE OR FLUE SYSTEM COMPONENTS FROM DIFFERENT SOURCES OR MODIFYING THE DIMENSIONAL SPECIFICATION OF COMPONENTS MAY RESULT IN HAZARDOUS CONDITIONS. WHERE SUCH ACTION IS CONSIDERED, THE MANUFACTURER SHOULD BE CONSULTED IN THE FIRST INSTANCE.

CAUTION: THIS APPLIANCE SHOULD NOT BE OPERATED WITH CRACKED AND BROKEN COMPONENTS, e.g. GLASS PANELS OR CERAMIC TILES, MAY RENDER THE INSTALLATION UNSAFE.

WARNING: ANY MODIFICATION OF THE APPLIANCE THAT HAS NOT BEEN APPROVED IN WRITING BY THE TESTING AUTHORITY IS CONSIDERED AS BREACHING AS/NZS 4013.

WARNING: DO NOT USE FLAMMABLE LIQUIDS OR AEROSOLS TO START OR REKINDLE THE FIRE.

WARNING: DO NOT USE FLAMMABLE LIQUIDS OR AEROSOLS IN THE VICINITY OF THIS APPLIANCE WHEN ITS OPERATING.

WARNING: DO NOT STORE FUEL WITHIN HEATER INSTALLATION CLEARANCES.

WARNING: OPEN AIR CONTROLS AND DAMPER WHEN FITTED BEFORE OPENING FIRING DOOR.

WARNING: FOR OPTIMUM PERFORMANCE FUEL MUST BE LOADED SO THE LOGS LAY "FRONT TO REAR" IN PREFERENCE TO LAYING ACROSS THE WIDTH OF THE FIREBOX. SPACES SHOULD BE LEFT BETWEEN THE LOGS TO ENABLE OXYGEN TO GET TO AS MUCH OF THE SURFACE OF THE FUEL AS POSSIBLE.

CAUTION: THIS APPLIANCE SHOULD BE MAINTAINED AND OPERATED AT ALL TIMES IN ACCORDANCE WITH THESE INSTRUCTIONS.

CAUTION: THE USE OF SOME TYPES OF PRESERVATIVE-TREATED WOOD AS A FUEL CAN BE HAZARDOUS.

6. Operation instructions - General

BEFORE LIGHTING THE FIRST FIRE

If the stove was stored in a cold environment (car, store, etc.) before the first lighting, keep it at room temperature for about 3 hours to equalise moisture condensation and surface temperature of the parts. Otherwise, there is a risk of damage to the glass or lining of the stove.

During the first lighting, the paint coating will go through a curing process. The stove paint will emit an odour for at least 4 hours as it adheres to the steel. Ensure to ventilate the room during this time.

LIGHTING YOUR FIRE

- Ensure the Air Slide and upper flue damper is in the open or high position. (pulled out fully towards you.)
- In firebox lay your fire lighters 10 centimetres apart. Do not use newspaper as a fire lighter.
- Add a mixture of soft wood and hardwood kindling in a criss cross pattern above the firelighters. Softwood kindling allows for fire to light quicker and burn hotter, mixing in some kindling size hardwood helps the coals retain more heat for longer.
- Light fire with match or gas lighter, when fire is ablaze close the door, but do not latch the door. Leave for 5 minutes maximum and do not leave unattended.
- Load pieces of hardwood that are no wider than a drink can in a criss cross pattern.
- Latch the door and let burn for approx. 10-20 minutes. Once the hardwood is ablaze, push the upper control (flue damper) closed.

The flue damper will be hot, use protective gear to prevent burns to skin.

- After 30 minutes re-open the flue damper before opening the door and add the large pieces of hardwood. These pieces should be no bigger than a loaf of bread. Close and latch door after loading and also close the flue damper once the door is secure.
- After 45 minutes you can adjust the air slide to slow fire down and find your comfort level. If you have a fan fitted you can now turn it on.

If too little wood and firelighters are used during lighting or the pieces are too large, the optimal operating temperature will not be reached. This can lead to poor combustion, high soot formation and the extinguishing of the fire after closing the door.

Slow combustion fireplaces with wide door openings are prone to smoke spillage occasionally when the door is opened during lighting and reloading. This occurs due to a pressure imbalance when opening the door as cool air rushes in. Opening the flue damper can help to alleviate smoke spillage. Avoid opening the door when there is visible smoke/flame to reduce this symptom. It is good practice to only reload when fuel is at coaling phase.

TIPS ON CHOOSING FIREWOOD

How long a tree has been felled or dead for does not indicate how dry the wood is. The best way to dry wood is to split it and expose the inner core allowing the sun to dry the wood naturally.

Good wood merchants will split the wood for you, but may not season it for you.

The amount of you pay for your wood or the appearance of the wood does not justify how dry the wood is. The only way to know how dry your wood is, is to use a moisture meter measuring from the inner core after splitting the piece of wood you are testing.

Only burn wood under 20% moisture.

Anything over 20% and your wood heater will not work efficiently. The energy from the fire will be used to reduce moisture in your wood and not produce heat for your house.

Store your wood for at least 12 months after your have purchased it. Optimum moisture content is between 15-18%. Wood under 15% will have a shorter overall burn time than wood around 20%.

Never burn treated wood or painted wood.

COMBUSTION AIR

The 3 elements required for fire are Fuel, Heat and Oxygen. When a fire is started within a slow combustion heater, the heat rises in the flue system creating a vacuum within the firebox. This vacuum creates positive pressure or 'draw' which pulls oxygen in to replace itself and create the balance of air to keep the fire running.

In tightly sealed homes, fresh air supply to the unit may be insufficient due to an air pressure imbalance which can affect the operation of the stove.

This stove has the possibility of connecting directly to outside the envelope of the home to supply combustion air. This is via the 99mm diameter central air duct neck located on the rear of the unit. This can be relocated to the base of the unit for outside air connection through the sub floor.

To ensure a central air supply, the duct must not be longer than 3 m and have too many bends. The minimum duct diameter is 80 mm.

The central air duct must be led outdoors or into a well-ventilated room inside the building (cellar, utility room, etc.).

VisionLINE fireplaces recommends the VisionLINE AIR insulated flue system to create a balanced flue ensuring adequate air supply balance.

6. Operation instructions - Over-fire warnings



Over firing the unit and continuously running the unit on high with an overloaded firebox for extended periods of time can damage the unit.

Running the fire continuously with the baffle bypass in the open position can lead to excessive draft and result in over fire conditions.

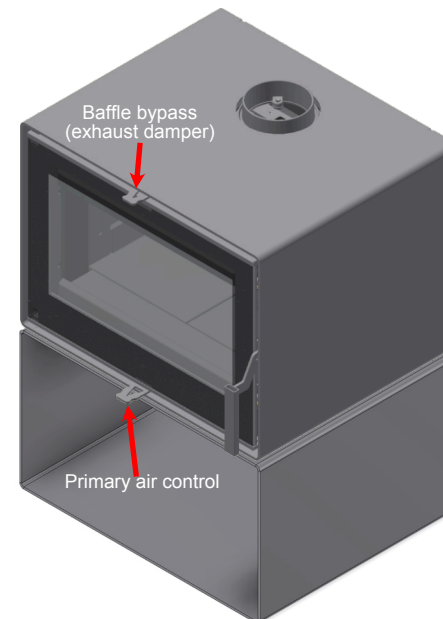
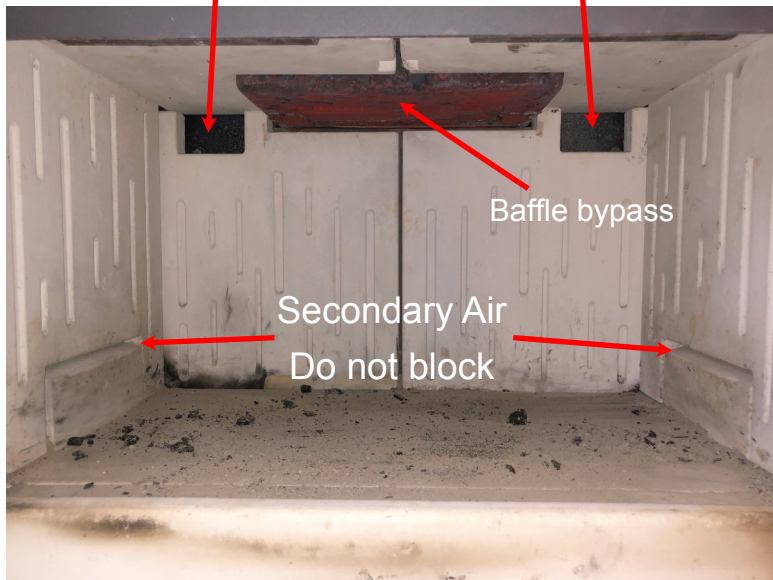
Ensure there is clearance between the top of the fuel load and the baffle bypass trapdoor to ensure correct operation when required.

Ensure to keep the secondary air inlets clear of fuel for optimum operation.

Loading fuel which touches the baffle bypass is considered to be overloaded and can result in over-firing of the product causing damage to the unit and voiding the warranty.

Over-firing can be identified by a warped baffle bypass system as well as the baffle bypass cover shedding layers of steel. This is not covered by warranty.

Crossflow rear baffle openings

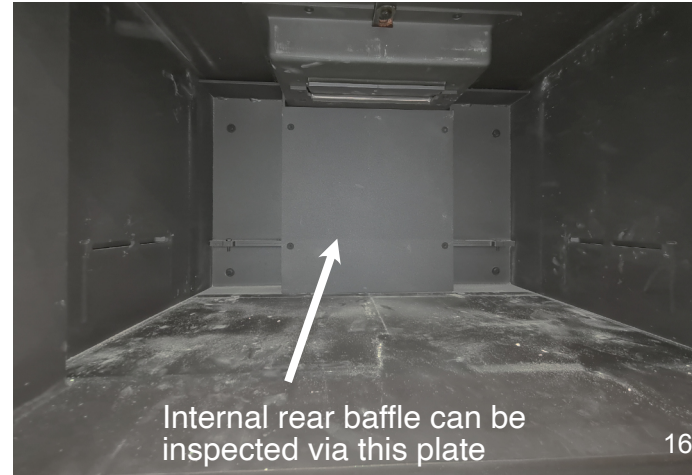
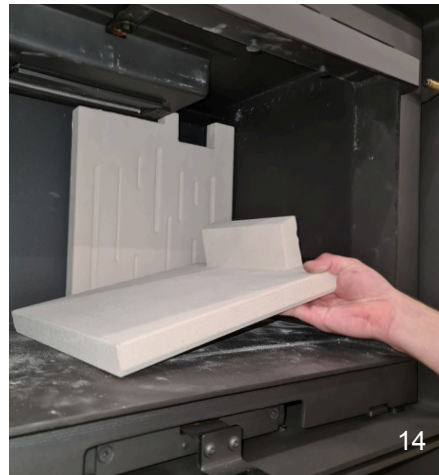


6. Operation instructions - Cleaning and inspection

- The stove and flue pipes must be inspected once a year - or more frequently, for example, when the chimney is cleaned to check for any soot and to clean them if needed.
- The chimney needs to be cleaned regularly by a chimney sweeper.
- Before heating season, thoroughly clean the entire fireplace from ash and soot with a brush or a vacuum cleaner. Ensure that ash that has fallen between the fireplace walls and the grate is removed whilst a small gap is left to allow the materials to dilate during long term use in the heating season.
- Never use abrasive products to clean the glass or metal parts as this may cause damage. Clean the glass only when the stove is cold
- The surface of the stove can be cleaned with a damp cloth or if necessary, with a mild soap solution. Touch up paint can be available from your nearest Visionline dealer. The Colour match is Anthracite Grey by PLP coatings.
- Firebrick removal and firebox inspection can be completed with the following procedure.



6. Operation instructions - Cleaning and inspection



7

Warranty Information

8. Warranty -

VisionLINE extends the following manufacturer's warranty for wood hearth appliances that are purchased from a VisionLINE authorised dealer.

VisionLINE warrants to the original owner of the VisionLINE appliance at the site of installation, and to any transferee taking ownership of the appliance at the site of installation within two years following the date of original purchase, that the VisionLINE appliance will be free from defects in materials and workmanship at the time of manufacture.

After installation, if covered components manufactured by VisionLINE are found to be defective in materials or workmanship during the applicable warranty period, VisionLINE will, at its option, repair or replace the covered components. VisionLINE, at its own discretion, may fully discharge all of its obligations under this manufacturer's warranty by replacing the product itself or refunding the verified purchase price of the product itself. The maximum amount recoverable under this warranty is limited to the purchase price of the product. This warranty is subject to conditions, exclusions and limitations as described below.

Warranty coverage begins on the date of original purchase. In the case of new home construction, coverage under this manufacturer's warranty begins on the date of first occupancy of the dwelling or six months after the sale of the product by an independent, authorised VisionLINE dealer/ distributor, whichever occurs earlier. The warranty period for this manufacturer's warranty shall commence no later than 12 months following the date of product shipment from VisionLINE AU, regardless of the installation or occupancy date.

The term "Limited Lifetime" in the table below is defined as: 10 years from the beginning date of warranty coverage for wood appliances. These time periods reflect the minimum expected useful lives of the designated components under normal operating conditions.

10 year structural warranty on the firebox construction including weldment.

5 year warranty on tertiary air tube, baffle and firebricks (labour for 3 years)

2 year warranty on fans and electrical components. (labour for 1 year)

OTHER RIGHTS

The VisionLINE manufacturer's warranty is in addition to other rights and remedies that you may have under Australian law.

Our goods come with guarantees that cannot be excluded under the Australian Consumer Law. You are entitled to a replacement or refund for a major failure and for compensation for any other reasonably foreseeable loss or damage. You are also entitled to have the goods repaired or replaced if the goods fail to be of acceptable quality and the failure does not amount to a major failure.

WARRANTY CONDITIONS AND EXCLUSIONS:

- The VisionLINE manufacturer's warranty only covers VisionLINE appliances that are purchased through a VisionLINE authorised dealer or distributor. A list of VisionLINE authorised dealers is available on the VisionLINE website- visionlinefire.com.au
- This warranty is only valid while the VisionLINE appliance remains at the site of original installation.

WARRANTY EXCLUSIONS:

This VisionLINE manufacturer's warranty does not cover the following:

- Changes in surface finishes as a result of normal use. As a heating appliance, some changes in colour of interior and exterior surface finishes may occur. This is not a flaw and is not covered under warranty.
- Damage to printed, plated, or enamelled surfaces caused by fingerprints, accidents, misuse, scratches, melted items, or other external sources and residues left on the plated surfaces from the use of abrasive cleaners or polishes.
- Repair or replacement of parts that are subject to normal wear and tear during the warranty period. These parts include: paint, gaskets, grates and the discolouration of glass.
- Minor expansion, contraction, or movement of certain parts causing noise. These conditions are normal and complaints related to this noise are not covered by this warranty.

8. Warranty -

WARRANTY EXCLUSIONS CONT.

- Damages resulting from: (1) failure to install, operate, or maintain the appliance in accordance with the installation instructions, operating instructions, and listing agent identification label furnished with the appliance; (2) failure to install the appliance in accordance with local building codes; (3) shipping or improper handling; (4) improper operation, abuse, misuse, continued operation with damaged, corroded or failed components, accident, or improperly/incorrectly performed repairs; (5) environmental conditions, inadequate ventilation, negative pressure, or drafting caused by tightly sealed constructions, insufficient make-up air supply, or handling devices such as exhaust fans or forced air furnaces or other such causes; (6) use of fuels other than those specified in the operating instructions; (7) installation or use of components not supplied with the appliance or any other components not expressly authorised and approved by VisionLINE (8) modification of the appliance not expressly authorised and approved by VisionLINE in writing; and/or (9) interruptions or fluctuations of electrical power supply to the appliance.
- Non VisionLINE venting components, hearth components or other accessories used in conjunction with the appliance.
- Any part of a pre-existing fireplace system in which an insert appliance is installed.
- Removal, installation, reinstallation, set up or any other costs associated with a claim including travel and shipping charges for parts.
- VisionLINE's obligation under this warranty does not extend to the appliance's capability to heat the desired space. Information is provided to assist the consumer and the dealer in selecting the proper appliance for the application. Consideration must be given to appliance location and configuration, environmental conditions, insulation and air tightness of the structure.

THIS WARRANTY IS VOID IF:

- The appliance has been over-fired or operated in atmospheres contaminated by chlorine, fluorine, or other damaging chemicals. Over-firing can be identified by, but not limited to, warped plates or tubes, rust coloured cast iron, bubbling, cracking and discolouration of steel finishes.
- The appliance is subjected to prolonged periods of dampness or condensation.
- There is any damage to the appliance or other components due to water or weather damage which is the result of, but not limited to, improper chimney or venting installation.

HOW TO CLAIM

- To make a claim against this warranty, contact your local distributor during regular business hours. See VisionLINE website - visionlinefire.com.au. (Vic) Pty Ltd ACN 005 872 159 (**Jetmaster VIC**).
- Additional service fees may apply if you are seeking warranty service from a dealer other than the dealer from whom you originally purchased the product.
- Check with Jetmaster VIC in advance for any costs to you when arranging a warranty call. Travel and shipping charges for parts are not covered by this manufacturers' warranty.
- Jetmaster VIC will assess your claim and may need to inspect the product as part of the assessment of your claim. If the product requires inspection, VisionLINE or Jetmaster will discuss with you the best way for this to occur.
- To make a claim under this manufacturer's warranty, you must be able to prove when you purchased the product. The easiest way to do this is through your original proof of purchase, for example your invoice or receipt. However, if you do not have your original proof of purchase VisionLINE or Jetmaster may accept other evidence of the date of purchase.