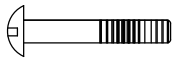

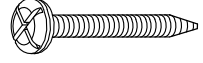
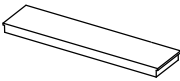
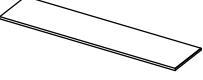



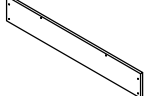
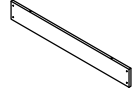
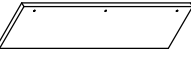
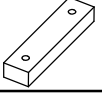
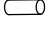
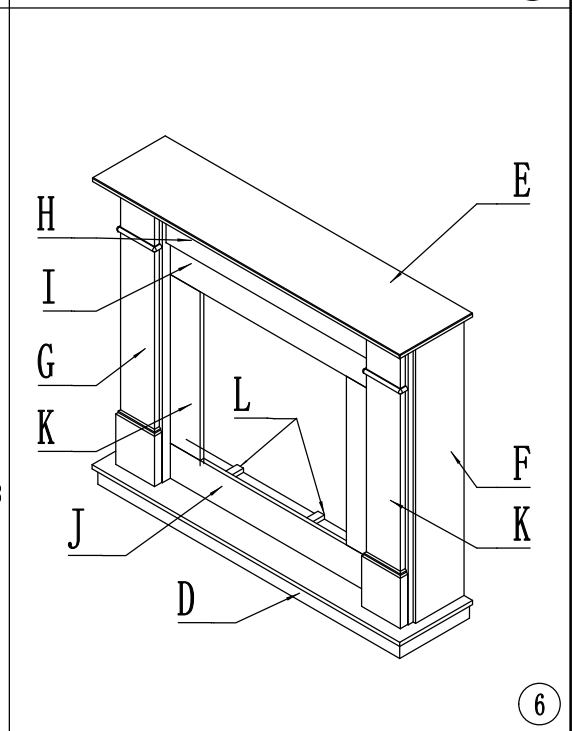
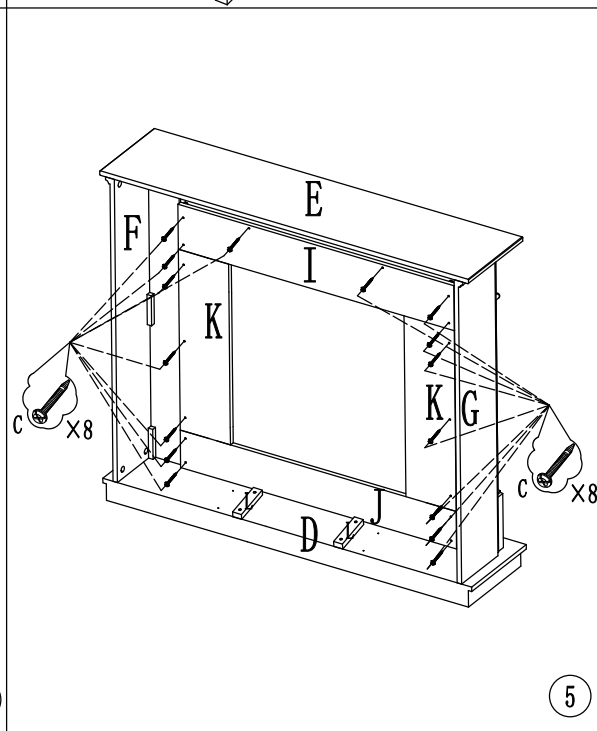
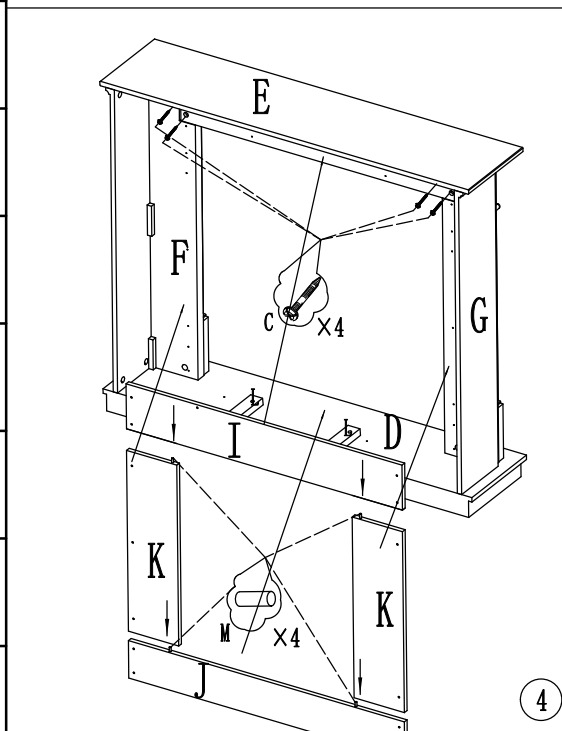
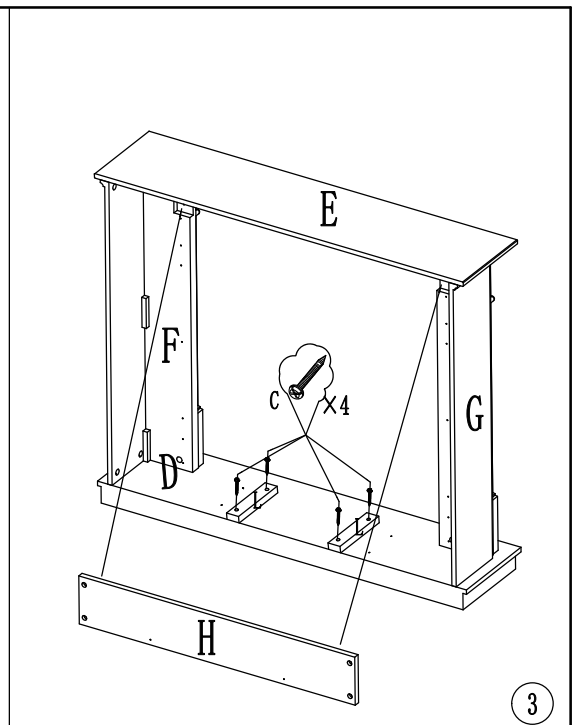
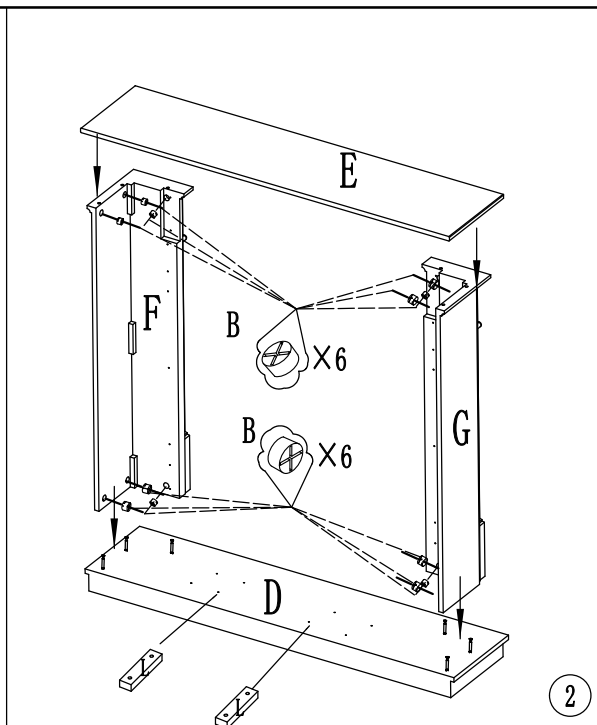
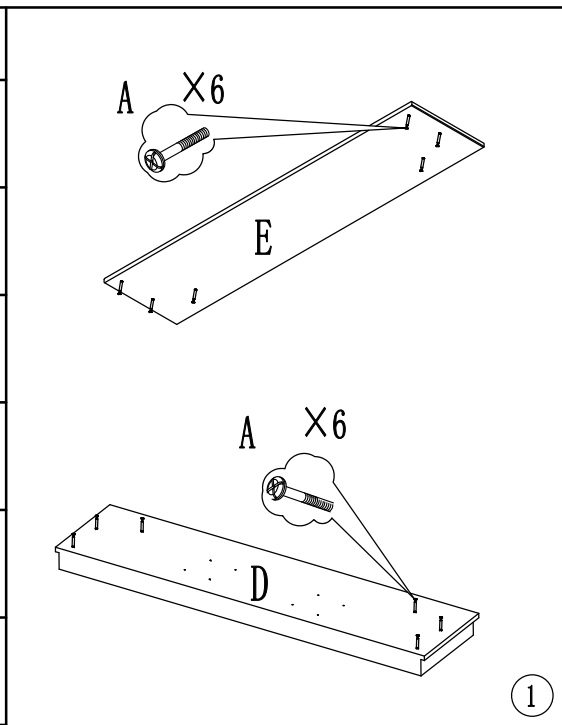


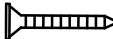
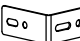
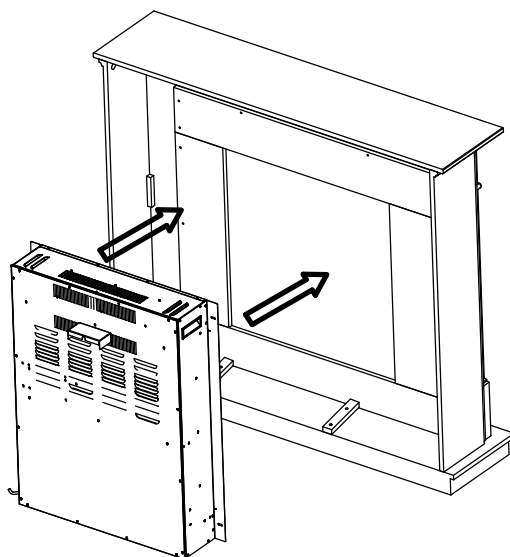


| NO | Part  | Quantity |
|----|---|----------|
| A  |    | 12       |
| B  |    | 12       |
| C  |    | 24       |
| D  |    | 1        |
| E  |    | 1        |
| F  |    | 1        |
| G  |    | 1        |
| H  |    | 1        |
| I  |  | 1        |
| J  |  | 1        |
| K  |  | 2        |
| L  |  | 2        |
| M  |  | 4        |

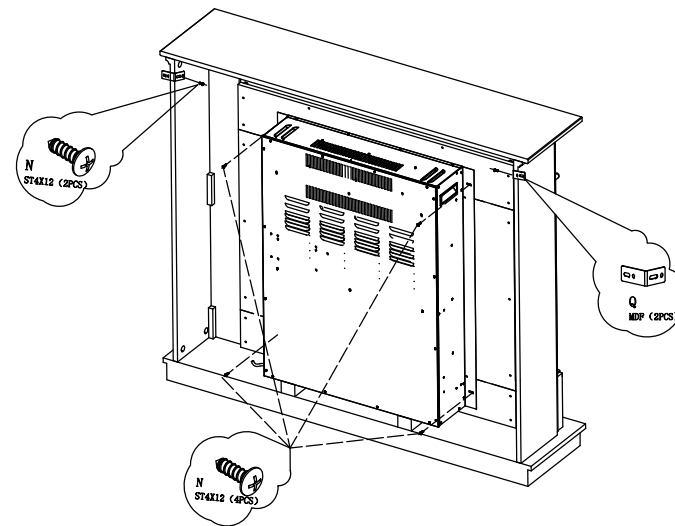


| NO | Part  | Quantity |
|----|---|----------|
| N  |  | 6        |
| O  |  | 2        |
| P  |  | 2        |
| Q  |  | 2        |
|    |   |          |

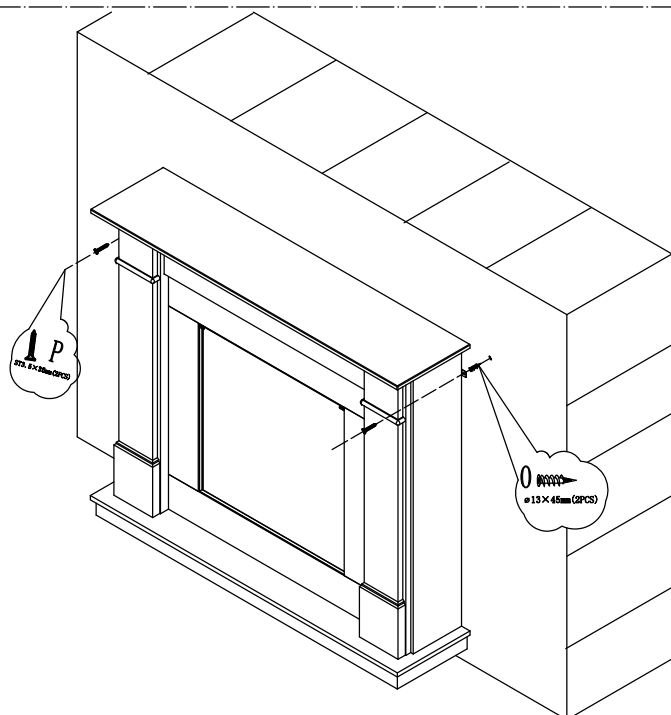
①



②



③



④

